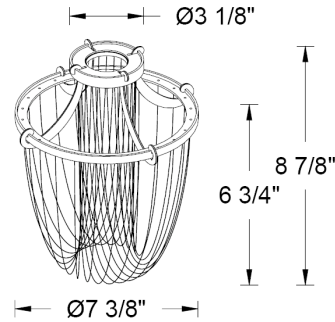


CATALOG NUMBER	TYPE
PROJECT	

CASCADE QUICK CONNECT™ pendant G332-CL



Ordering Matrix for LED303 Socket Set Application

Model	Shade	Socket Set Finish
<input type="text"/>	<input type="text"/>	<input type="text"/>
QP-LED MP-LED	332CL	BN – Brushed Nickel CH – Chrome DB – Dark Bronze

Example (Model-Glass/Socket Set Finish) : MP-LED332-CL/CH

Recommended finish: CH

Ordering Matrix for Low Voltage Xenon Socket Set Application

Model	Shade	Socket Set Finish
<input type="text"/>	<input type="text"/>	<input type="text"/>
QP MP-	332CL	BN – Brushed Nickel CH – Chrome DB – Dark Bronze

Example (Model-Glass/Socket Set Finish) : QP332CL/CH

Recommended finish: CH

Product Details Specification Features

Description: Polished Chrome hardware with swags of clear crystal beads.

Materials:

QP-LED332-CL QUICK CONNECT™ pendant includes:

- (1) G332-CL Crystal shade
- (1) QP-LED303 LED pendant socket set

MP-LED332-CL Mono-point pendant includes:

- (1) G332-CL Clear crystal shade
- (1) LED303 LED pendant socket set
- (1) MP-60E Mono-point canopy

QP332-CL QUICK CONNECT™ pendant includes:

- (1) G332-CL Crystal shade
- (1) QP-902 Pendant socket set
- (1) BP-50-12V Xenon lamp
- (1) 902-PLATE2-CH Accessory plate

MP-332-CL Mono-point pendant includes:

- (1) G332-CL Clear crystal shade
- (1) 902-CH Pendant socket set
- (1) BP-50-12V Xenon lamp
- (1) 902-PLATE2-CH Accessory plate
- (1) MP-60E Mono-point canopy

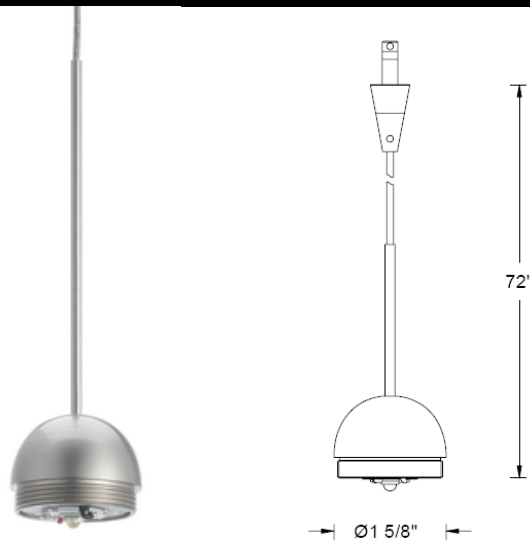
Socket: Includes 6' of braided cable and hang-straight tube.

Listing: UL & CUL Listed.

- WAC QUICK CONNECT™ pendants require the proper QUICK CONNECT™ adapter to use with WAC's low voltage rail and track systems (DUORAIL™, SOLORAIL™ and Linear track), line voltage track systems, (FLEXRAIL1™, FLEXRAIL2™ and 120v track) and monopoint and multipoint canopies.
- 5 year product warranty.

CATALOG NUMBER	TYPE
PROJECT	

LED 300 Series Socket Set **QP-LED303**



Ordering Matrix for Solorail™/Duorail™ Application		
Model	Series	Finish
QP MP-	LED303	BN – Brushed Nickel CH – Chrome DB – Dark Bronze

Ordering Example (model – series – finish): QP-LED303-BN

Product Details	
Description:	Energy efficient LED socket set used for WAC 300 series pendant shades. QP-LED303 QUICK CONNECT™ pendant includes: (1) QP-LED303 LED pendant socket set MP-LED332-CL Mono-point pendant includes: (1) LED303 LED pendant socket set (1) MP-60E Mono-point canopy
Driver:	700mA constant current LED driver included.
LED Engine:	One 3W LED lamp included Input Voltage: 12V AC Fixture lumen: 114 lm Color temperature: 3000K CRI: 80
Dimming:	Dimmable QP socket set with electronic low voltage dimmer (Range from 100% to 15%)
Materials:	Aluminum construction, 6' of low voltage braided wire that may be adjusted in the field to any required length.
Finish:	BN – Brushed Nickel, CH- Chrome, DB – Dark Bronze
Listing:	UL & CUL Listed.

Specification Features
<ul style="list-style-type: none"> The QUICK CONNECT™ pendant requires a QUICK CONNECT™ adapter to use with WAC's low voltage rail and track systems (DUORAIL™, SOLORAIL™ and Linear track), line voltage track systems, (FLEXRAIL1™ and 120v track) and mono-point and multipoint canopies. Free of projected heat, UV, and IR. 50,000 hour lifetime 5 year product warranty