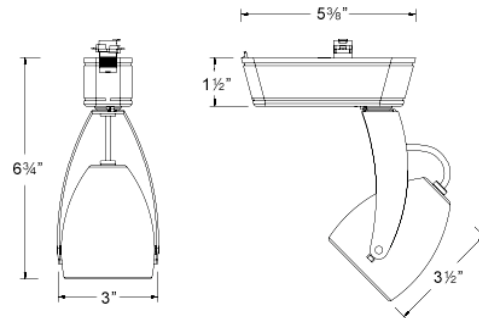


CATALOG NUMBER	TYPE
PROJECT	

LEDme™ TRACK LUMINAIRE

IMPULSE 810



Ordering Matrix

Model	Series	Beam Spread	Color Temperature	Finish
J L H	LED810	S = 20° F = 32°	WW = 3000K CW = 4000K	BK = Black WT = White

Ordering Example (model – finish): J-LED810S-WW-WT

Product Details

Description: Euro-style track head using one 10W Cree LED. Designed for use on WAC's tracks and adaptable to other manufacturers' tracks. (Consult factory for specific brands).

Materials: Die-cast aluminum body with steel yoke and clear lens

Driver: Input voltage: 120VAC / 60Hz; High power factor > 0.9
Max Load: 10W

LED Engine: 1 x 10W Cree LED; Typical CRI: 80

Finish: Powder coat paint finish available in Black (BK) and White (WT)

Fixture Output:	CCT	Beam Angle	Lumens	Efficacy
	3000	20°	523	43.6 lm/W
	3000	32°	504	42.0 lm/W
	4000	20°	543	45.0 lm/W
	4000	32°	522	43.5 lm/W

Standards: UL & CUL Listed, Meets Energy Star Requirements

Specification Features

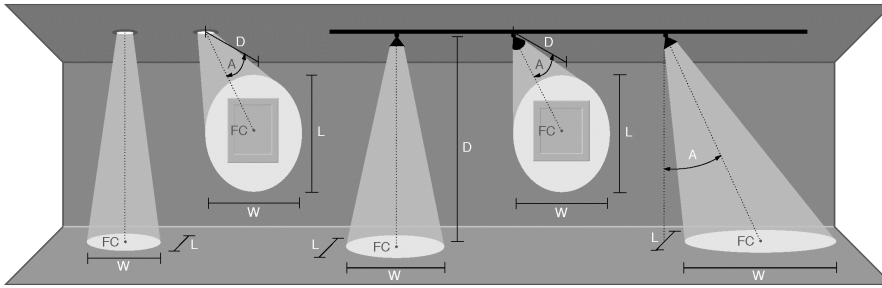
- Accepts different lenses and accessories
- 360° horizontal rotation and 180° vertical aiming.
- Free of projected heat, UV and IR radiation.
- Dimmable with ELV (Electronic Low Voltage) dimmer. Dimming Range: 100% - 8%
- Replaceable Cree LED Module.
- 50,000 hours potential LED life.
- 5 year WAC Lighting product warranty.

Compatible Accessories (Sold Separately)

- | | | |
|-----------------------|--------------------------------------|-----------------------|
| • Color Dichroic Lens | • Clear Lens (Supplied with fixture) | • Color Lens |
| • UV Filter | • Beam Softening (Frosted) Lens | • Beam Spreading Lens |
| • Barn Doors | • Framing Projector | |

CATALOG NUMBER	TYPE
PROJECT	

Photometry

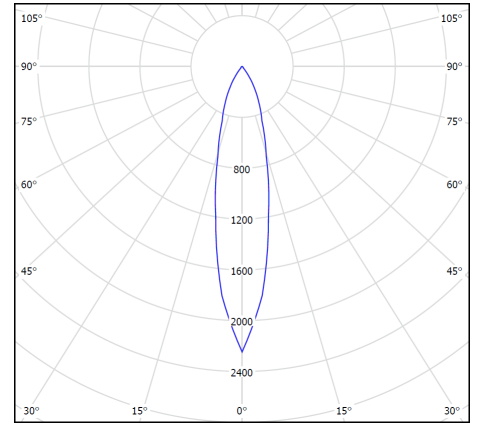
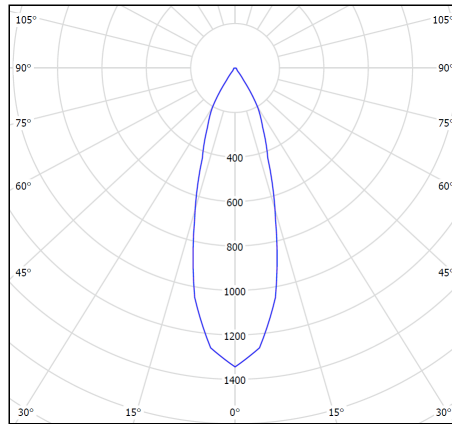
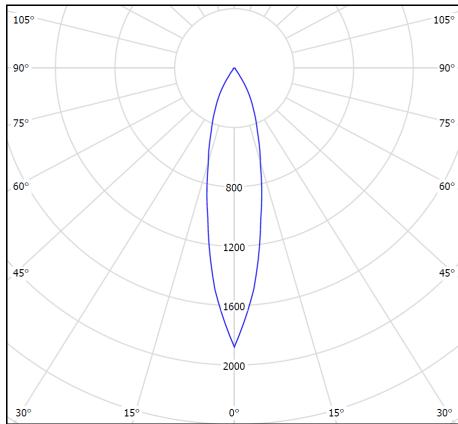


D	Distance To Fixture From Wall Or Floor
FC	Initial Footcandle Level At Center Of Beam
L	Beam Length (where candlepower drops to 50% of maximum)
W	Beam Width (where candlepower drops to 50% of maximum)

LED810S WW 20 DEG			
0° Aiming Angle			
D(ft)	FC	L	W
6	52	2.4	2.4
9	23	3.6	3.6
12	13	4.8	4.8
15	8	5.9	5.9
45° Aiming Angle			
D(ft)	FC	L	W
6	18	4.9	3.4
9	8	7.4	5.0
12	5	9.9	6.7
15	3	12.4	8.4

LED810F WW 32 DEG			
0° Aiming Angle			
D(ft)	FC	L	W
6	37	3.3	3.3
9	17	5.0	5.0
12	9	6.7	6.7
15	6	8.3	8.3
45° Aiming Angle			
D(ft)	FC	L	W
6	13	7.2	4.7
9	6	10.8	7.1
12	3	14.4	9.4
15	2	18.0	11.8

LED810S CW 20 DEG			
0° Aiming Angle			
D(ft)	FC	L	W
6	62	2.3	2.3
9	28	3.4	3.4
12	16	4.5	4.5
15	10	5.7	5.7
45° Aiming Angle			
D(ft)	FC	L	W
6	22	4.7	3.2
9	10	7.1	4.8
12	6	9.4	6.4
15	4	11.8	8.0



LED810F CW 32 DEG			
0° Aiming Angle			
D(ft)	FC	L	W
6	42	3.3	3.3
9	18	5.0	5.0
12	10	6.6	6.6
15	7	8.3	8.3
45° Aiming Angle			
D(ft)	FC	L	W
6	15	7.2	4.7
9	7	10.7	7.0
12	4	14.3	9.3
15	2	17.9	11.7

