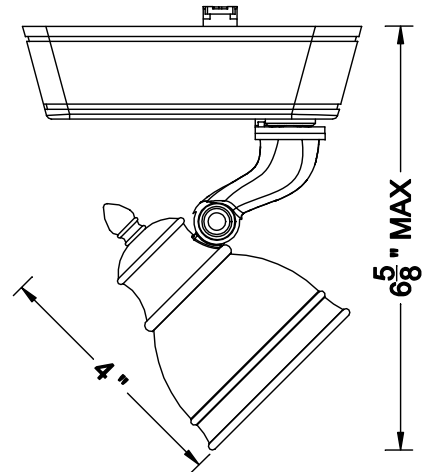
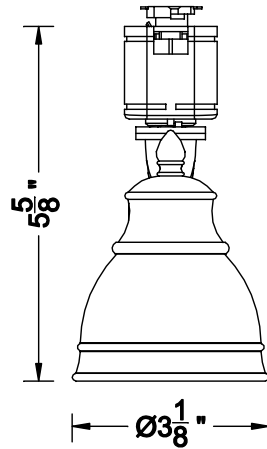


CATALOG NUMBER	TYPE
PROJECT	

LOW VOLTAGE TRACK HEAD

SERIES 874



Ordering Matrix

Model			Series		Finish
[]			[]		[]
HHT	JHT	LHT	874	874L	AB

Ordering Example (model – series – finish): LHT-874L-AB

Product Details

Description:	Low voltage track head using MR16G lamps. Designed for use with WAC H, L, J & J2 series track. In addition it may fit other manufacturer's track (consult factory for specific brands). Can be wall mounted and ceiling mounted.
Materials:	Die-cast aluminum alloy lamp holder housing, corrosion resistant spun metal shade and polycarbonate track adaptor.
Transformer:	Electronic track transformer adaptor with auto reset, soft start, and short circuit protection.
Socket:	G5.3 base 250V ceramic socket with silver-plated contacts.
Aiming:	360° horizontal rotation and 90° vertical aiming.
Lamping:	Re-lamps from the front. 874 series uses 12V MR16G lamps, 50W max. 874L series uses 12V MR16G lamps, 75W max.
Finish:	Electroplated Antique Bronze (AB).
Listing:	UL & CUL Listed.

Specification Features

- Arm mounted track head providing maximum installation convenience with its ability to work on four different track systems.
- Hand finished Antique Bronze coordinates with today's faucets, fixtures, cabinet hardware and furniture.
- Machined solid brass decorative hardware adds aesthetically appealing detail to the fixture.
- Decorative traditional design complements historical architectural styles while meeting the design needs of today.
- The 874 series track head utilizes the second circuit on the J2 style track with the use of the JClip (ordered separately).
- Electronic transformer soft start feature is designed to prolong lamp life.
- Track adapter are Dark Bronze to match WAC bronze 120V Track.
- 5 year WAC Lighting product warranty.