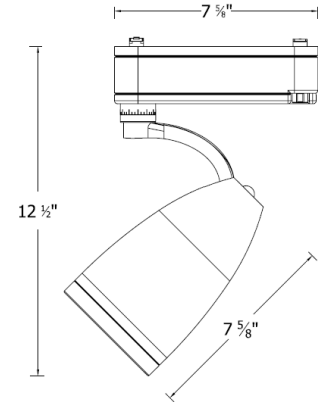
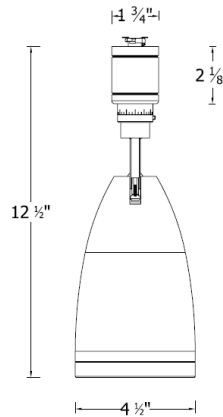


CATALOG NUMBER	TYPE
PROJECT	

LARC SPOT – METAL HALIDE TRACK HEAD

SERIES HID 330



Ordering Matrix		
Model	Wattage	Finish
[]	[]	[]
JTK-HID330	39E = 39W 70E = 70W	BK = Black WT = White PT = Platinum

Ordering Example (model –wattage- finish) : JTK–HID330-39E–PT

Product Details	
Description:	HID Metal Halide track head using CDM PAR30L lamps. Designed for use with WAC and W2 J & J2 series track. Adaptable to other manufacturer's track. (Consult factory for specific brands).
Materials:	Die-cast aluminum fixture, cap ring and check ring. Clear 1/8 inch tempered glass lens included.
Ballast:	<u>39W</u> <u>70W</u>
(VS)	ANSI # : M130 M143 / 139 / 98
	Line Current : 0.38 Amps 0.64 Amps
	Input Power : 45W 77W
	Input Voltage : 120V 120V
	Power Factor : > 90% > 90%
	Sound Rating : A A
Socket:	Ceramic HID E26
Aiming:	350° horizontal rotation and 90° vertical aiming with indexing scales. Spring loaded buttons lock to secure the aiming adjustment on horizontal and vertical axis.
Lamping:	Re-lamps from the front using CDM PAR30L lamps. Lamp not included.
Finish:	Powder coat paint finish. Available in Black (BK), White (WT), Platinum (PT).
Listing:	UL & CUL Listed. Patent Pending.

Specification Features
<ul style="list-style-type: none"> Die-cast aluminum fixture with integral indexing scales to assure precise directional adjustment. Threaded check ring within lens cap allows 2 captive accessories to be held securely. The HID330 track head utilizes the second circuit on the J2 style track with the use of the JCLIP. Accommodates up to 2 lenses and one accessory. 5 year product warranty.

Track Adaptor Information

Standard Adaptor
For J style
W2 & WAC track



J2 Adaptor
For J2 style
W2 & WAC track



JCLIP
Ordered when using track
heads on 2nd circuit of J2



Compatible Accessories

LENS-30-DIC-COLOR
Dichroic Lenses

LENS-30-COLOR
Color Lenses

AMB = Amber ; BLU = Blue ; GRN = Green
RED = Red ; YEL = Yellow



LENS-30-HCL
Honeycomb Louver



LENS-30-CRL
Cross Louver



HOOD-095-BK
Light Deflecting Hood
for wall wash application



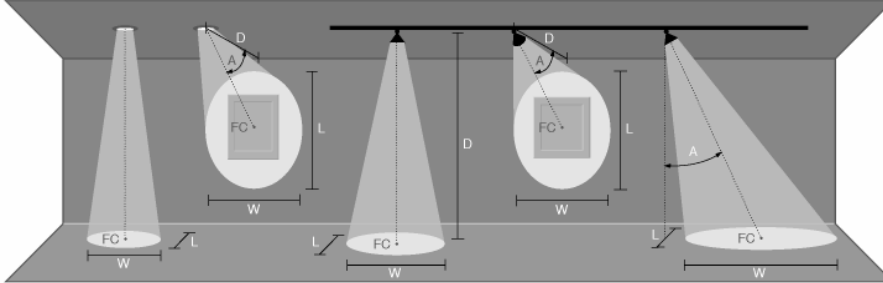
LENS-30-UVF
UV Filter

LENS-30-FR
Frosted Lens

LENS-30-SPR
Spread Lens

LENS30-BEL
Beam Elongating Lens

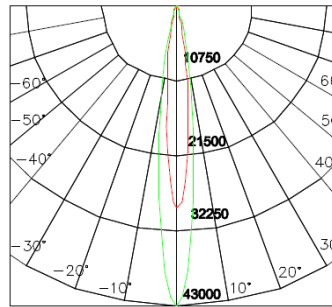
Photometry



D Distance To Fixture From Wall Or Floor
FC Initial Footcandle Level At Center Of Beam
L Beam Length (where candlepower drops to 50% of maximum)
W Beam Width (where candlepower drops to 50% of maximum)

39W CDMPAR30 SP (10 DEG)				
0° Aiming Angle				
D(ft)	FC	W	L	
6	773	1.6	1.6	
9	343	2.4	2.4	
12	193	3.2	3.2	
15	124	3.9	3.9	
45° Aiming Angle				
D(ft)	FC	W	L	
6	273	3.2	2.2	
9	121	4.8	3.4	
12	68	6.4	4.5	
15	44	8.0	5.6	

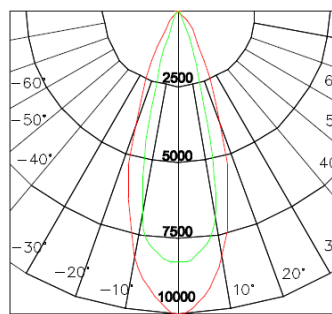
70W CDMPAR30 SP (10 DEG)				
0° Aiming Angle				
D(ft)	FC	W	L	
6	1149	1.6	1.6	
9	510	2.4	2.4	
12	287	3.2	3.2	
15	184	3.9	3.9	
45° Aiming Angle				
D(ft)	FC	W	L	
6	406	3.2	2.2	
9	180	4.8	3.4	
12	102	6.4	4.5	
15	65	8.0	5.6	



— 39W CBCP 27828
— 70W CBCP 43000

39W CDMPAR30 FL (40 DEG)				
0° Aiming Angle				
D(ft)	FC	W	L	
6	231	2.7	2.7	
9	102	4.0	4.0	
12	58	5.3	5.3	
15	37	6.7	6.7	
45° Aiming Angle				
D(ft)	FC	W	L	
6	82	5.6	3.8	
9	36	8.4	5.6	
12	20	11.2	7.5	
15	13	14.0	9.4	

70W CDMPAR30 FL (40 DEG)				
0° Aiming Angle				
D(ft)	FC	W	L	
6	274	4.4	4.4	
9	122	6.6	6.6	
12	68	8.7	8.7	
15	44	10.9	10.9	
45° Aiming Angle				
D(ft)	FC	W	L	
6	97	10.1	6.2	
9	43	15.1	9.3	
12	24	20.1	12.4	
15	15	25.2	15.4	



— 39W CBCP 8301
— 70W CBCP 10000