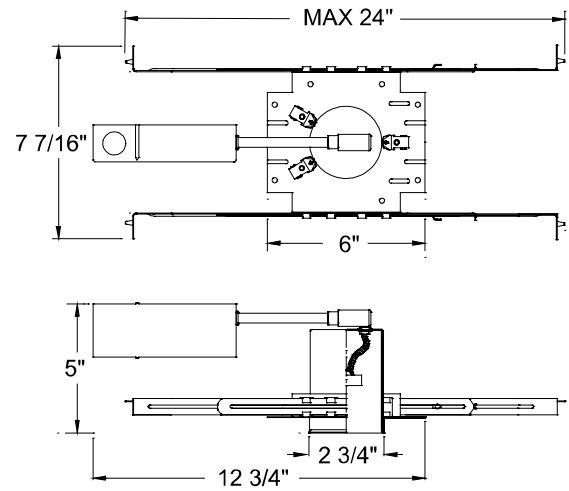


CATALOG NUMBER	TYPE
PROJECT	

LOW VOLTAGE 3" MINIATURE'S

MODEL HR-802



Ordering Matrix		
Series	Model Number	Trim
[]	[]	
HR	802	<i>See page two</i>

Ordering Example (series - model number + trim): HR-802

Product Details	
Description:	Low voltage new construction downlight with integral electronic transformer for ceilings, soffits, and other low profile applications.
Materials:	Housing and junction box are 20 gauge steel, painted black. Frame and hanger bars are heavy gauge galvanized steel. Electrical component within can is a bi-pin ceramic socket with 18 gauge teflon insulated wires with fiberglass sleeves.
Transformer:	Electronic transformer for 12 volt MR16 lamps, 50w maximum. 120V input transformer.
J-Box:	Three 1/2" knockouts provided for wire entry and exit. Suitable for chain wiring.
Mounting:	Supplied with hanger bars, adjustable from 12"-24" to accommodate various joist construction and grid sizes. Hanger bars have slots for easy mounting on "T" bars. 3" cutout hole.
Ratings:	Non-IC rated. Insulation must be kept at least 3" away from housing. UL and CUL listed. Suitable for damp locations. Thermal protector protects against over-lamping.

Specification Features
<ul style="list-style-type: none"> • Small sized new construction housing is compact enough to fit in 2x6 joist installations, allowing these to be used in "shallow" applications. • Electronic transformer has advanced auto-reset, soft start and short circuit protection features. • Handles mounting surface thickness up to 3/4". • Dims with electronic low voltage dimmers. • 2 year W.A.C. Lighting product warranty.

CATALOG NUMBER	TYPE
PROJECT	

LOW VOLTAGE 3" MINIATURE'S

MODEL HR-802

Compatible Trims (sold separately):

<p>HR-833-□□</p> <p>Finishes: BN, WT Lamp: MR16 35W max.</p>		<p>HR-834-□□□□</p> <p>Finishes: BN, WT, WT/WT Lamp: MR16 35W max.</p>		<p>HR-836-□□</p> <p>Finishes: BK, BN, PB, WT Lamp: MR16 35W max.</p>	
<p>HR-836-□□</p> <p>Finishes: BK, BN, CH, PB, WT Lamp: MR16 35W max.</p>					

Finish Key:
 BK-Black, BN-Brushed Nickel, CH-Chrome, PB-Polished Brass, WT-White

Notes: **The full catalog number for a complete downlight includes the model numbers for both the trim and the housing.**

More information regarding each individual trim can be viewed on the individual trim spec sheets.