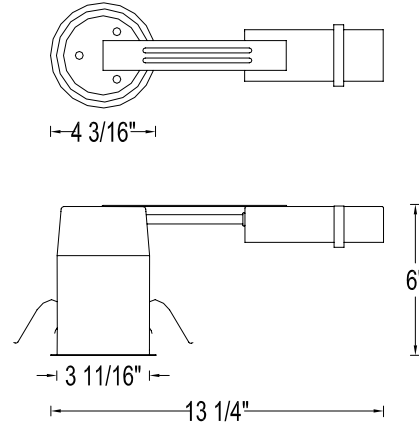
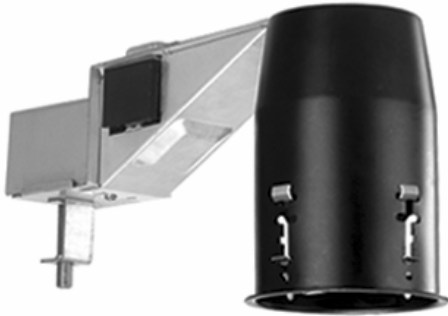


CATALOG NUMBER	TYPE
PROJECT	

LOW VOLTAGE 3" DOWNLIGHT

MODEL HR-301M



Ordering Matrix

Series	Model Number	Transformer Type	Trim
[]	[]	[]	
HR	301	M	See page two

Ordering Example (series – model number – transformer type + trim): HR-301M

Product Details

Description:	Low voltage remodeling downlight with integral magnetic transformer.
Materials:	Housing and transformer arm are 20 gauge steel. Electrical component within can is a bi-pin ceramic socket with 18 gauge teflon insulated wires with fiberglass sleeves.
J-Box:	Three 1/2" knockouts provided for wire entry and exit. Suitable for chain wiring.
Lamp & Transformer:	Magnetic transformer for 12 volt MR16 lamps, 50w maximum. 120V input transformer.
Ratings:	Non-IC rated. Insulation must be kept at least 3" away from the housing. U.L. and C.U.L. listed. Suitable for damp locations
Mounting:	Heavy gauge inner retention clips push out onto ceiling or other mounting surface to firmly hold housing in place. Accommodates surface thickness of up to 3/4". 3 7/8" cutout hole.
Thermal Protection:	Thermal protector supplied with HR-301M protects against over-lamping.

Specification Features

- Small sized remodeling unit is compact enough to fit in most joist installations, allowing these to be used in "shallow" applications such as 2-story houses or where attic space is used for storage.
- Downlights feature long-life magnetic transformers with proven core and coil technology.
- Dimmable with magnetic low voltage dimmers.
- 2 year W.A.C. Lighting product warranty.

CATALOG NUMBER	TYPE
PROJECT	

LOW VOLTAGE 3" DOWNLIGHT

MODEL HR-301M

Compatible Trims (sold separately):					
HR-D321-□□□□ Finishes: BK/WT, SC/BN, SC/WT, SG/WT Lamp: MR16 50W		HR-D324-□□□□ Finishes: BN/BK, BN/WT, WT/WT Lamp: MR16 50W		HR-D327-□□ Finishes: BK, BN, WT Lamp: MR16 50W	
HR-D329-□□ Finishes: WT Lamp: MR16 35W or Xenon 50W		HR-D325-□□□□ Finishes: BK/WT, WT/WT Lamp: MR16 35W		HR-D326-□□ Finishes: BK, BN, WT Lamp: MR16 50W	
HR-D332-□□ Finishes: AM, BL, WT Lamp: MR16 50W		HR-D333-□□□□ Finishes: AM/WT, BL/WT, WT/WT Lamp: MR16 50W		HR-D334-□□ Finishes: BN, WT Lamp: MR16 50W	

Finish Key:

AM Amber, BL-Blue, BK-Black, BN-Brushed Nickel, CH-Chrome, SC-Specular Clear, SG-Specular Gold, WT-White

Notes: **The full catalog number for a complete downlight includes the model numbers for both the trim and the housing.**

More information regarding each individual trim can be viewed on the individual trim spec sheets.