

**Catalog Information**

Model	Description	Input	Output (12V)	Wiring	Finish
SRT-300M-12V	Magnetic Transformer 12V	120V	(1) 300W circuit	Screw Terminals	Black

**Product Features**

1. **Capacity:** One 300-watt circuit at 12 volts.
2. **Dimming:** Use with either magnetic or standard incandescent dimmers. Dimmers are installed on primary wiring side.
3. **Protection:** Auto reset thermal breaker on primary side. Output circuit breaker is a magnetic push to reset type.
4. **Wiring:** Integral wire terminal block, with trade sized knockouts on the side.
5. **Input current:** 2.5A
6. **Efficiency:** 93%
7. **Weight:** 7.25 lbs

**Options/Accessories**

Boost tap wire option to counter act voltage drop, increases voltage by ten percent.

**Material**

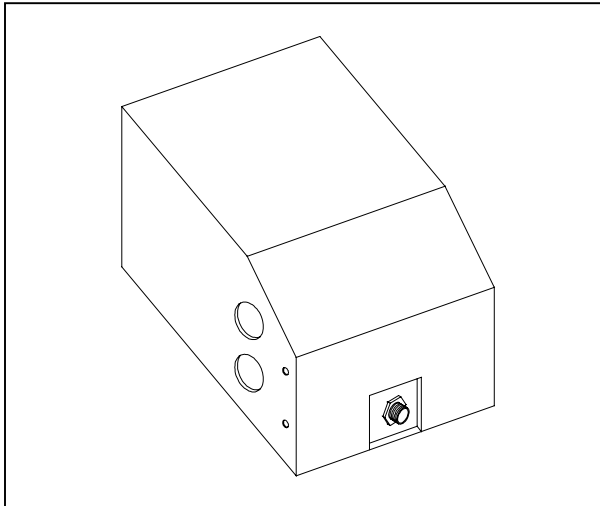
Steel enclosures

**Listings**

UL Listed.

W.A.C. reserves the right to change details that do not affect overall function and performance.





**Catalog Information**

Model	Description	Input	Output (24V)	Wiring	Finish
SRT-300M-24V	Magnetic Transformer 24V	120V	(1) 300W circuit	Screw Terminals	Black

**Product Features**

1. **Capacity:** One 300-watt circuit at 24 volts.
2. **Dimming:** Use with either magnetic or standard incandescent dimmers. Dimmers are installed on primary wiring side.
3. **Protection:** Auto reset thermal breaker on primary side. Output circuit breaker is a magnetic push to reset type.
4. **Wiring:** Integral wire terminal block, with trade sized knockouts on the side.
5. **Input current:** 2.5A
6. **Efficiency:** 93%
7. **Weight:** 7.25 lbs

**Options/Accessories**

Boost tap wire option to counter act voltage drop, increases voltage by ten percent.

**Material**

Steel enclosures

**Listings**

UL Listed.

W.A.C. reserves the right to change details that do not affect overall function and performance.

