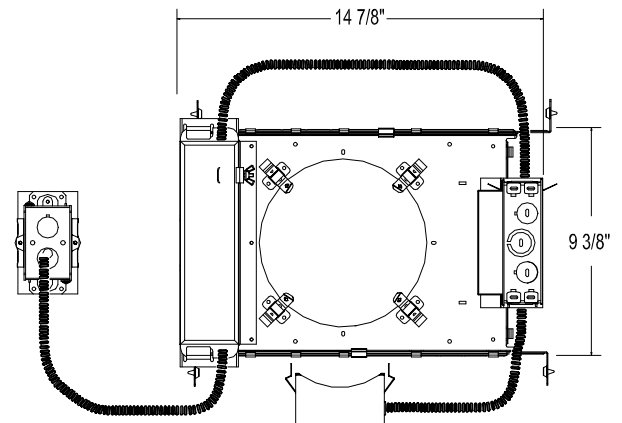
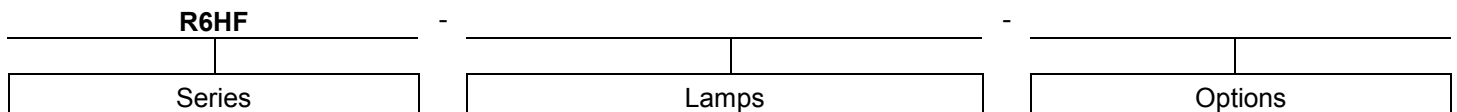


MODEL R6HF-213Q



Emergency Ballast Option

Ordering information



R6HF
 Recessed 6"
 Horizontal
 Fluorescent

213Q – Two 13W Quad Lamps
 218Q – Two 18W Quad Lamps
 226Q – Two 26W Quad Lamps

EM - Emergency Ballast

Product Features

Application New construction housing frame in kit. Requires 3" minimum clearance from insulation. Maximum 1 inch ceiling thickness.

J Box: Junction box is accessible from above or below the ceiling. Supplied with eight standard knockouts and four integral Romex® clamps. Spring loaded door, for easy access to wiring. Approved for through branch wiring.

Mounting: Supplied with hanger bars adjustable to 25" Bars have score lines and can be cut to accommodate 12" joist spans. Bars have notches for easy installation on T-bars. Hanger bars mount on all four sides.

Ceiling Opening: 6 7/8"

Material: Galvanized steel. Two horizontally positioned 4 pin G24Q-1 sockets. Socket assembly attaches to trim reflector.

Ballast: Supplied with Class P, thermally protected electronic ballast, universal voltage 120 to 277 volts, 50/60 Hz. Greater than 95% power factor. Class A sound rating. End of life protection, non-dimming type ballast.

Options:

Available with Emergency Ballast – specify EM suffix in model number.

Listing

UL & CUL listed. Suitable for damp locations.

W.A.C. reserves the right to change details that do not affect overall function and performance.



<p>R6HF-21-□□ Finishes: SBK, SC, SG Lamp: (2) Quad 13W G24Q-1</p>		<p>R6HF-22-□□ Finishes: BK, WT Lamp: (2) Quad 13W G24Q-1</p>		<p>R6HF-23-□□ Finishes: WT Lamp: (2) Quad 13W G24Q-1</p>	
<p>R6HF-24-□□ Finishes: WT Lamp: (2) Quad 13W G24Q-1</p>		<p>R6HF-25-□□ Finishes: WT Lamp: (2) Quad 13W G24Q-1</p>			

Finish Key: BK-Black, SBK-Specular Black, SC-Specular Clear, SG-Specular Gold, WT-White
 All trims are white, finish choices refer to baffle or reflector color.

