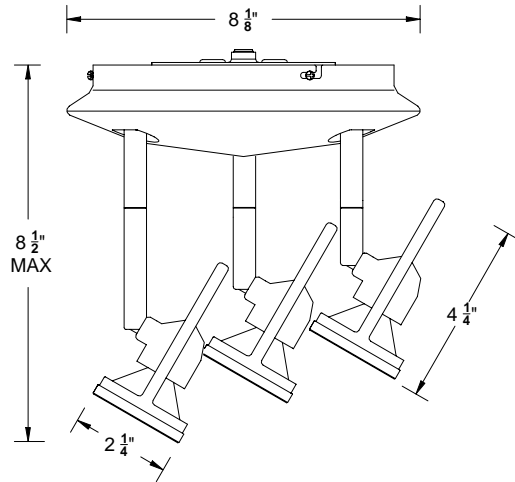


<b>CATALOG NUMBER</b>	<b>TYPE</b>
<b>PROJECT</b>	

**LOW VOLTAGE SURFACE MOUNT**

**MODEL PAN-809**



<b>Ordering Matrix</b>		
<b>Model</b>	<b>Series</b>	<b>Finish</b>
[ ]	[ ]	[ ]
PAN	809	BK      WT

Ordering Example (model number – series – finish): PAN-809-WT

<b>Product Details</b>	
<b>Description:</b>	Surface mount triple track head canopy and integral electronic transformers. Canopy base covers a standard junction box.
<b>Materials:</b>	Die-cast aluminum fixtures with bi-pin ceramic sockets integral 18 gauge teflon insulated wires. Supplied with tempered clear glass lenses.
<b>Transformer:</b>	Electronic transformer with auto reset, soft start, and short circuit protection features. 120v to 12v. Dimming with electronic low voltage dimmers is recommended.
<b>Aiming:</b>	350° horizontal rotation and 90° vertical aiming.
<b>Lamping:</b>	Re-lamps from the front using MR16 lamps, 50W maximum.
<b>Finish:</b>	Abrasion resistant powder coat paint finish. Available in Black (BK), White (WT).
<b>Listing:</b>	UL & CUL Listed.
<b>Accessories:</b>	Accepts a single lens accessory in place of the supplied tempered clear glass lens. Compatible accessories are ordered separately.

<b>Specification Features</b>
<ul style="list-style-type: none"> <li>Staggered track heads provide a wide range of coverage while still being compact in size and space.</li> </ul>
<ul style="list-style-type: none"> <li>Special lens types such as spread lenses and UV lenses can be ordered from W.A.C. and used in place of the supplied clear lens.</li> </ul>
<ul style="list-style-type: none"> <li>Electronic transformer soft start feature is designed to protect lamps from abrupt inrush current. The solid state circuitry promotes cool and quiet operation.</li> </ul>
<ul style="list-style-type: none"> <li>May be used in utility rooms, service areas, kitchens, or any room where a decorative multiple aiming source with a small footprint is needed.</li> </ul>
<ul style="list-style-type: none"> <li>2 year W.A.C. Lighting product warranty.</li> </ul>