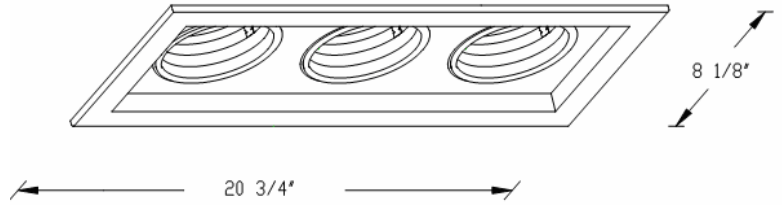


<u>CATALOG NUMBER</u>	<u>TYPE</u>
<u>PROJECT</u>	

MULTIPLE SPOTS **MT-330MH**



Ordering Matrix		
Series	Model Number	Finish
[]	[]	[]
MT: Multiple Spots	330: 3 X CDM PAR30L Lamps MH : Metal Halide	WT/WT WT/BK

Ordering Example (series – model number – Finish): MT-330MH-WT/WT

Product Details	
Description:	Gimbal ring style adjustable trim for use with MT-330MH housings. Use in new construction or suspended ceilings.
Materials:	Durable stamped metal construction.
Aiming:	Lamp holder allows the lamp to be tilted to 25° from nadir. All lamps have horizontal aiming to 358°.
Lamping:	CDM PAR30L Metal Halide lamp, 20W or 39W or 70W. Lamps are sold separately.
Finish:	Abrasion resistant powder coat painted finish. WT/BK=Black baffle with White trim. WT/WT=White baffle with White trim
Listing:	UL & CUL Listed. Suitable for damp locations.

Specification Features
<ul style="list-style-type: none"> Two torsion springs allow trims to be taken from housing expediently. 5 years WAC Lighting product warranty.

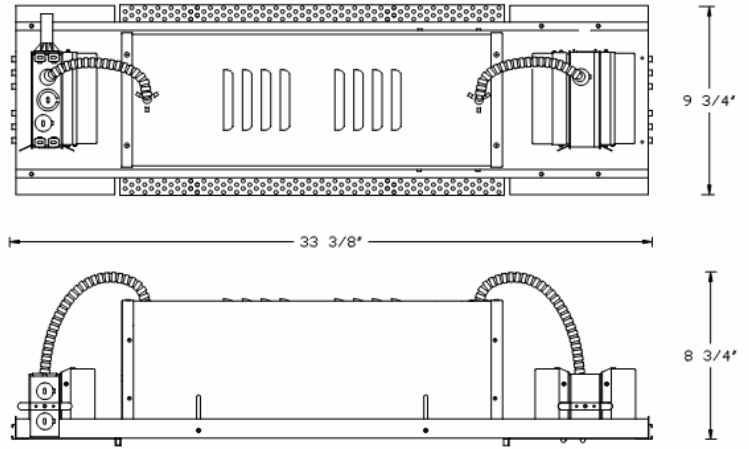
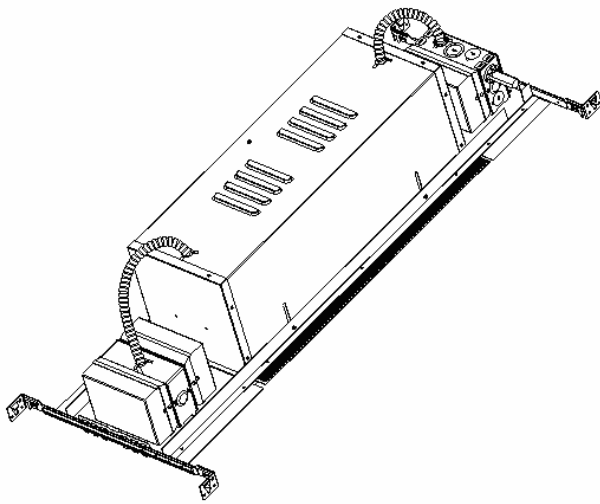
Compatible Housings (Sold Separately)	
MT-330MH Non IC New construction housing Pulse start electronic ballasts, 120V/277V Lamp: CDM PAR30L, 20W or 39W or 70W	

Note: The full catalog number for a complete downlight includes the model numbers for both the trim and the housing.

<u>CATALOG NUMBER</u>	<u>TYPE</u>
<u>PROJECT</u>	

MULTIPLE SPOTS

MT-330MH-20



Ordering Matrix

Series	Model Number	Watt	Trim
<input type="text"/>	<input type="text"/>	<input type="text"/>	<input type="text"/>
MT: Multiple Spots	330: 3 X CDM PAR30L Lamps MH : Metal Halide	20: 20 Watts	See page two

Ordering Example (series – model number + trim):MT-330MH-20 + MT-330MH-WT/WT

Product Details

Description:	An adjustable recessed fixture for new construction applications.
Materials:	Housing and halftones are aluminium. Frame, junction box and hanger bars are all heavy gauge galvanized steel.
Mounting:	Supplied with hanger bars, adjustable from 12" to 24" to accommodate various joist construction and grid sizes. Accommodates surface thickness of 1/2" to 1". 7 5/8" x 20 3/8" cutout for trimless application. 7 3/16" x 19 15/16" cutout for trim application.
Ratings:	Non-IC rated. Insulation must be kept at least 3" away from the housing.
J-Box:	Seven knockouts and four Romex® style wiring connectors provided for ease of installation. Rated for branch and chain wiring.
Lamps & Ballasts:	CDM PAR30L Metal Halide lamps, 20W, sold separately. Pulse start electronic ballasts, 120V/277V.
Thermal Protection:	Thermal protection provided to guard against overheating and misuse of insulation over and around fixture.
Listing:	UL & CUL Listed. Suitable for damp locations.

Specification Features

- First metal halide reflector lamp to integrate high output, excellent light quality and superb energy efficiency in a compact highly distinctive package.
- Offer a variety of options and architectural flexibility.
- Ceramic Metal Halide lamps deliver maximum performance, color rendition, texture definition and longer lamp life.
- 5 years WAC Lighting product warranty.

Compatible Trims (Sold Separately)

MT-330MH Step baffle

Finish	Trim	Baffle
WT/BK	White	Black
WT/WT	White	White

Three 20W CDM PAR30L lamps.



MT-330MHTL Step baffle

Finish	Trim	Baffle
WT	White	White

Three 20W CDM PAR30L lamps.



Finish Key:

BK-Black, WT-White

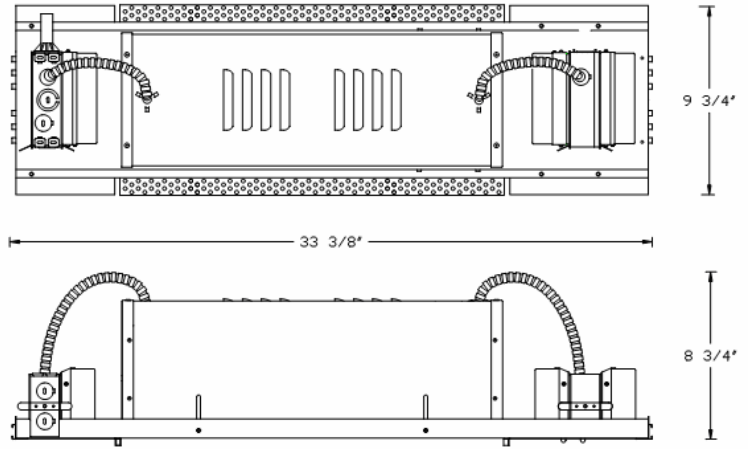
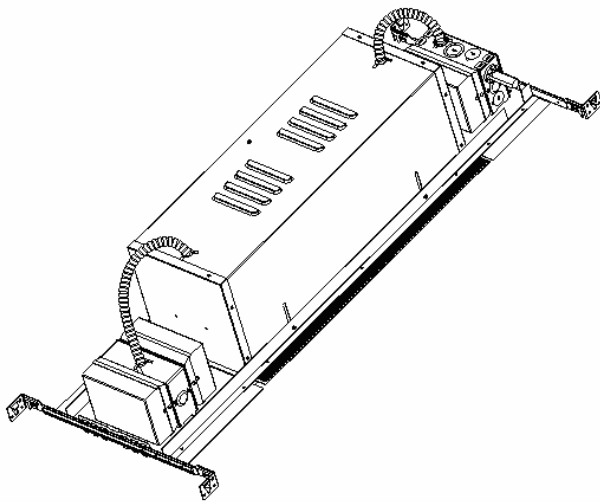
Notes:

The full catalog number for a complete multiple spots includes the model numbers for both the trim and the housing. More information regarding each individual trim can be viewed on the individual trim spec sheets.

<u>CATALOG NUMBER</u>	<u>TYPE</u>
<u>PROJECT</u>	

MULTIPLE SPOTS

MT-330MH-39



Ordering Matrix			
Series	Model Number	Watt	Trim
[]	[]	[]	[]
MT: Multiple Spots	330: 3 X CDM PAR30L Lamps MH : Metal Halide	39: 39 Watts	See page two

Ordering Example (series – model number + trim):MT-330MH-39 + MT-330MH-WT/WT

Product Details	
Description:	An adjustable recessed fixture for new construction applications.
Materials:	Housing and halftones are aluminium. Frame, junction box and hanger bars are all heavy gauge galvanized steel.
Mounting:	Supplied with hanger bars, adjustable from 12" to 24" to accommodate various joist construction and grid sizes. Accommodates surface thickness of 1/2" to 1". 7 5/8" x 20 3/8" cutout for trimless application. 7 3/16" x 19 15/16" cutout for trim application.
Ratings:	Non-IC rated. Insulation must be kept at least 3" away from the housing.
J-Box:	Seven knockouts and four Romex® style wiring connectors provided for ease of installation. Rated for branch and chain wiring.
Lamps & Ballasts:	CDM PAR30L Metal Halide lamps, 39W, sold separately. Pulse start electronic ballasts, 120V/277V.
Thermal Protection:	Thermal protection provided to guard against overheating and misuse of insulation over and around fixture.
Listing:	UL & CUL Listed. Suitable for damp locations.

Specification Features
<ul style="list-style-type: none"> • First metal halide reflector lamp to integrate high output, excellent light quality and superb energy efficiency in a compact highly distinctive package. • Offer a variety of options and architectural flexibility. • Ceramic Metal Halide lamps deliver maximum performance, color rendition, texture definition and longer lamp life. • 5 years WAC Lighting product warranty.

Compatible Trims (Sold Separately)

MT-330MH Step baffle

Finish	Trim	Baffle
WT/BK	White	Black
WT/WT	White	White

Three 39W CDM PAR30L lamps.



MT-330MHTL Step baffle

Finish	Trim	Baffle
WT	White	White

Three 39W CDM PAR30L lamps.



Finish Key:

BK-Black, WT-White

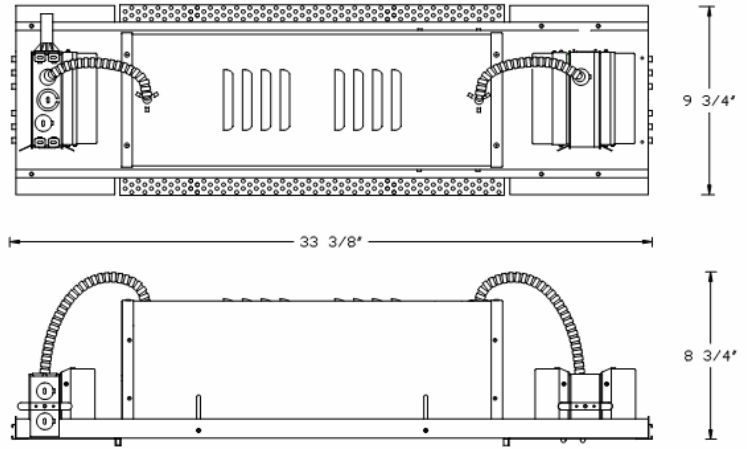
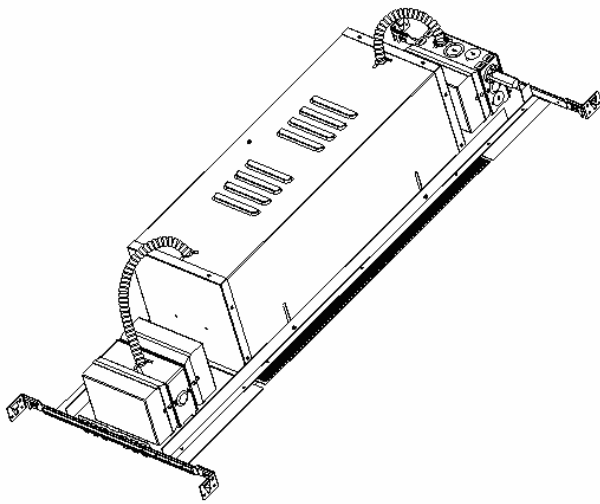
Notes:

The full catalog number for a complete multiple spots includes the model numbers for both the trim and the housing. More information regarding each individual trim can be viewed on the individual trim spec sheets.

<u>CATALOG NUMBER</u>	<u>TYPE</u>
<u>PROJECT</u>	

MULTIPLE SPOTS

MT-330MH-70



Ordering Matrix			
Series	Model Number	Watt	Trim
[]	[]	[]	[]
MT: Multiple Spots	330: 3 X CDM PAR30L Lamps MH : Metal Halide	70: 70 Watts	See page two

Ordering Example (series – model number + trim):MT-330MH-70 + MT-330MH-WT/WT

Product Details	
Description:	An adjustable recessed fixture for new construction applications.
Materials:	Housing and halftones are aluminium. Frame, junction box and hanger bars are all heavy gauge galvanized steel.
Mounting:	Supplied with hanger bars, adjustable from 12" to 24" to accommodate various joist construction and grid sizes. Accommodates surface thickness of 1/2" to 1". 7 5/8" x 20 3/8" cutout for trimless application. 7 3/16" x 19 15/16" cutout for trim application.
Ratings:	Non-IC rated. Insulation must be kept at least 3" away from the housing.
J-Box:	Seven knockouts and four Romex® style wiring connectors provided for ease of installation. Rated for branch and chain wiring.
Lamps & Ballasts:	CDM PAR30L Metal Halide lamps, 70W, sold separately. Pulse start electronic ballasts, 120V/277V.
Thermal Protection:	Thermal protection provided to guard against overheating and misuse of insulation over and around fixture.
Listing:	UL & CUL Listed. Suitable for damp locations.

Specification Features
<ul style="list-style-type: none"> • First metal halide reflector lamp to integrate high output, excellent light quality and superb energy efficiency in a compact highly distinctive package. • Offer a variety of options and architectural flexibility. • Ceramic Metal Halide lamps deliver maximum performance, color rendition, texture definition and longer lamp life. • 5 years WAC Lighting product warranty.

Compatible Trims (Sold Separately)

MT-330MH Step baffle

Finish	Trim	Baffle
WT/BK	White	Black
WT/WT	White	White

Three 70W CDM PAR30L lamps.



MT-330MHTL Step baffle

Finish	Trim	Baffle
WT	White	White

Three 70W CDM PAR30L lamps.



Finish Key:

BK-Black, WT-White

Notes:

The full catalog number for a complete multiple spots includes the model numbers for both the trim and the housing. More information regarding each individual trim can be viewed on the individual trim spec sheets.