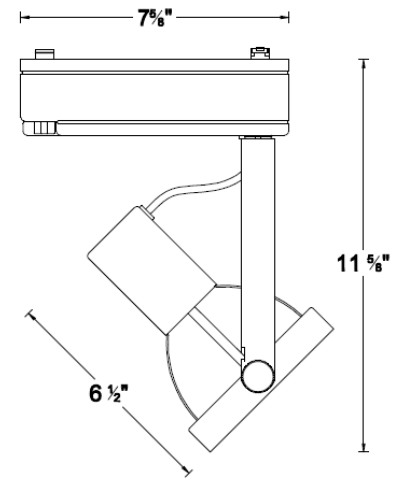
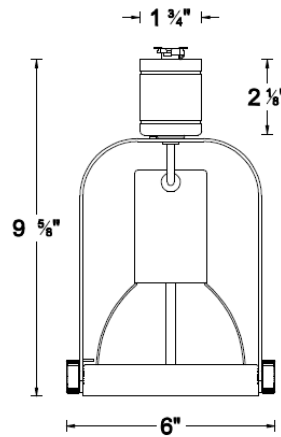


CATALOG NUMBER	TYPE
PROJECT	

LINE VOLTAGE TRACK HEAD

SERIES 765-70E



Ordering Matrix

Model			Series	Finish			
HTK	JTK	LTK	765-70E	BK	BN/BK	BN/WT	WT

Ordering Example (model – series – finish): HTK-765-70E-WT

Product Details

Description: Metal Halide track fixture.

Materials: Formed metal with polycarbonate track adaptor and aiming screws in black or white to match track finish. Medium base 250V porcelain socket with nickel-plated copper screw shell.

Aiming: 350° horizontal rotation and 90° vertical aiming. Two aiming screws (one on each side of fixture) lock fixture aiming angle.

Lamping: Uses medium base CDM PAR38 lamps, 70W max.

Systems: HTK is used with the W.A.C. H system track (HT).
 JTK is used with the W.A.C. J system and J2 system track (JT & J2-T).
 LTK is used with the W.A.C. L system track (LT)

Finish: Abrasion resistant power coat paint finish. Available in Black (BK), White (WT), Brushed Nickel with Black track adaptor (BN/BK) and Brushed Nickel with White track adaptor (BN/WT).

Listing: UL & CUL Listed. 2 year W.A.C. Lighting product warranty.

Ballasts

Pulse start electronic ballast. Operates more efficiently and consume up to 20% less energy than magnetic ballasts. Electronic ballasts increase lamp life, while reducing visual flicker.

ANSI#	M-98
Operating Amps	0.67A
Total input Power	80W
Power Factor	>95%
Sound Rating	A
Harmonic Distortion	<10%