

Outdoor Master Controller

Model: LED-TO24-CM

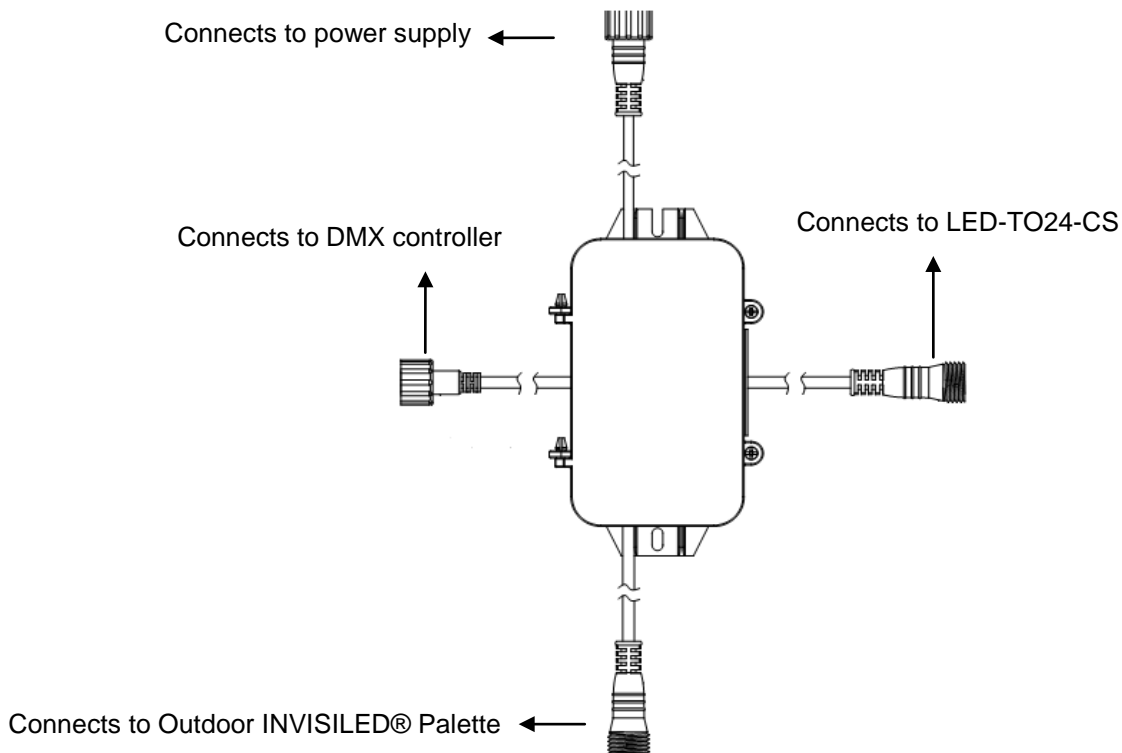
Key specifications:

Overall dimensions:	4 3/4" x 2 3/4" x 1 3/4" (121mm x71mm x42mm)
Min/max run length:	Up to 40ft of INVISILED® Palette using a 24V 96W DC power supply.
Power Supply:	24V DC power supply, Class II
Current:	4.2A Maximum
IP rated:	65

Application Area: Intended for outdoor use with INVISILED® Palette 24V Outdoor tape light. The recommended ambient environment temperature is -4°F to 122°F. This outdoor system provides flexible, easy-to-install accent lighting solutions for a broad range of applications. Versatile and adaptable, this system is ideal for numerous outdoor applications such as decks, steps, ponds, fountains, pools, architectural accents, and landscapes.

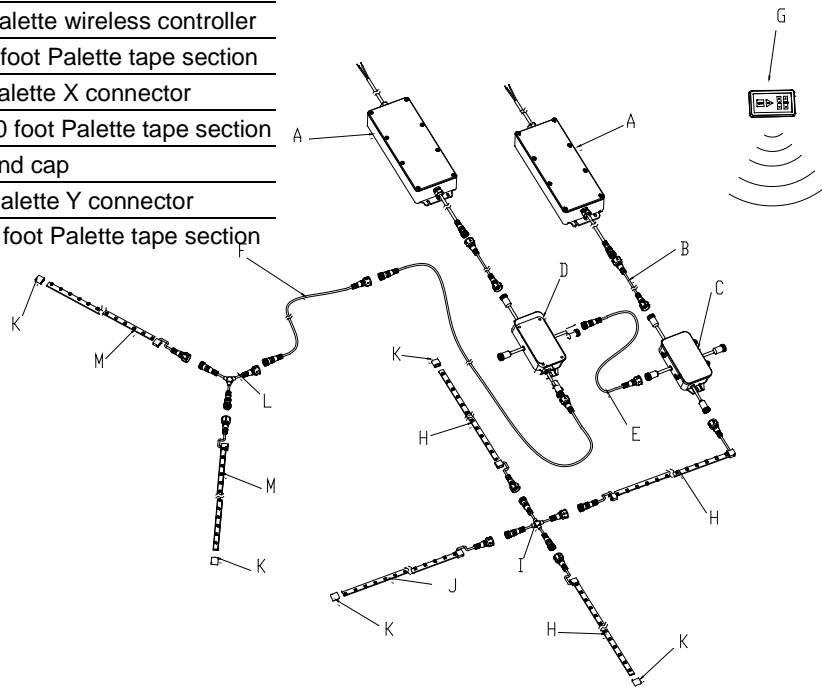
This product is designed for INVISILED® Palette 24V Outdoor tape light series and is compatible with WAC LED-TO24-CS.

Product Appearance



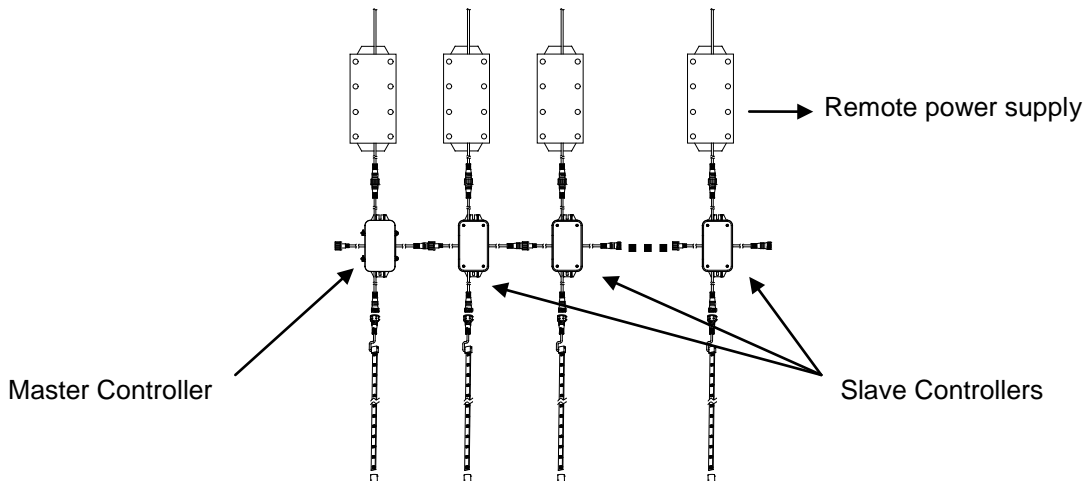
Sample Layout

A	EN-O24100-RB2-T	Remote power supply
B	LED-TO24-IC6	Joiner cable
C	LED-TO24-CM	Master controller
D	LED-TO24-CS	Slave controller
E	LED-TO24-SW60	Palette signal wire
F	LED-TO24-IC72-RGB	RGB Joiner cable
G	LED-TO24-WS	Palette wireless controller
H	LED-TCO-1-RGB	1 foot Palette tape section
I	LED-TO24-X-RGB	Palette X connector
J	LED-TCO-10-RGB	10 foot Palette tape section
K	LED-TO24-EC	End cap
L	LED-TO24-Y-RGB	Palette Y connector
M	LED-TCO-5-RGB	5 foot Palette tape section



Function:

Once the wireless controller and the master controller are paired, the master controller will respond to the remote control functions. To operate the remote control, please refer to the remote control instruction sheet. Connect the slave controller to the master controller as follows:



Caution: One master controller can be connected to several slave controllers. In order to avoid duplicate signals, the same network **cannot** have more than one master controller in operation. Do not open the control box unless you are a professional electrician. Do not install under water.