

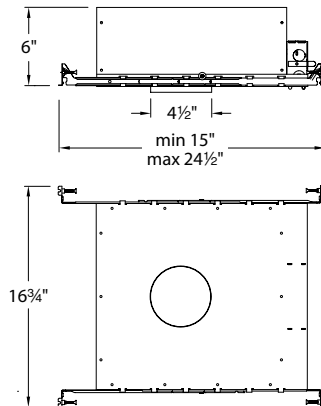
# HR-3LED-H18D-EMICA

3.5" Tesla™ New Construction Housing

120V – IC-Rated – Airtight – Emergency Backup

WAC LIGHTING

Responsible Lighting®



Fixture Type:

Catalog Number:

Project:

Location:

## PRODUCT DESCRIPTION

IC-Rated, airtight, new construction housing. With 90 minute Emergency backup battery For use with HR-3LED series trims.

## FEATURES

- Cutout: 4 5/8"
- 120VAC 50/60Hz input
- IC-Rated
- Airtight
- 90 min emergency backup power
- May be dimmed to 1% with electronic low voltage (ELV) dimmer
- Provided with push-in wire connector for easy installation
- Accommodates ceiling thickness from 1/2"-3/4"
- UL Listed
- 5 year WAC Lighting product warranty

## ORDER NUMBER

**HR-3LED-H18D-EMICA**

## SPECIFICATIONS

**Construction:** Housing and junction box are 20 gauge steel. Frame and hanger bars are heavy gauge galvanized steel.

**J-Box:** Seven knockouts and four Romex® style wiring connectors provided for ease of installation. Rated for branch wiring.

**Driver:** Electronic driver, 120VAC 50/60Hz input, 21.5W output. Power factor >0.9. Dimming with thermal protection. Emergency Driver provides a minimum 90 minutes of backup power to lighting system.

**Mounting:** Supplied with hanger bars, adjustable from 15"-24 1/2" to accommodate various joist construction and grid sizes. Hanger bars include a captive mounting "screw-nail" for ease of installation. Accommodates surfaces from 1/2"-3/4" thick. 4 5/8" cutout hole.

**Dimming:** May be dimmed to 1% with electronic low voltage (ELV) dimmer. Approved dimmers: Lutron Skylark SELV-300P-WH and Leviton Vizia VPE04.

**Rating:** IC-Rated: Suitable for direct contact with insulation.

**Standards:** UL Listed. Airtight: meets ASTM standard E283-04 under California 2005 Building Energy Efficient Standards and WAC 50-11-0502 of the State of Washington.

## COMPATIBLE TRIMS

| Model #                      | Description   | Beam                      | Color Temp                                     | Finish   |
|------------------------------|---|---------------------------|--|--|
| HR-3LD-ET118                 | Round, Open Reflector Downlight Energy Star                 | 40° (F)                   | 2700K (27), 3000K (W)<br>3500K (35), 4000K (C) | Brushed Nickel (BN)<br>Copper Bronze (CB)<br>White (WT)  |
| HR-3LED-T218                 | Round, Shower Light   | 28° (N)                   |  |  |
| HR-3LED-T418                 | Round, 30°-45° Adjustable                                   | 15° (S), 28° (N), 50° (F) |  |  |
| HR-3LED-T518N                | Square, Wall Wash   | N/A                       |  |  |
| HR-3LED-T618                 | Round, 0°-30° Adjustable Pinhole                            | 15° (S)                   |  |  |
| HR-3LED-T718                 | Square, Open Reflector Downlight                            | 15° (S), 28° (N), 50° (F) |  |  |
| HR-3LED-T118<br>HR-3LED-T318 | Round, Open Reflector Downlight<br>Round, 0°-30° Adjustable | 15° (S), 28° (N), 50° (F) | 2700K (27), 3000K (W)<br>3500K (35), 4000K (C) | Haze/White (HZ/WT)<br>Haze/Brushed Nickel (HZ/BN)<br>Haze/Coper Bronze (HZ/CB)<br>Specular Black/White (SB/WT)<br>Specular Black/Brushed Nickel (SB/BN)<br>Specular Black/Copper Bronze (SB/CB)<br>Brushed Nickel (BN), Copper Bronze (CB), White (WT) |

Example: HR-3LED-T118F-W-HZ/WT

See individual trim spec sheets for complete information.

## WAC Lighting

www.waclighting.com

Phone (800) 526.2588 • Fax (800) 526.2585

## Headquarters/Eastern Distribution Center

44 Harbor Park Drive • Port Washington, NY 11050

Phone (516) 515.5000 • Fax (516) 515.5050

## Western Distribution Center

1750 Archibald Avenue • Ontario, CA 91760

Phone (800) 526.2588 • Fax (800) 526.2585