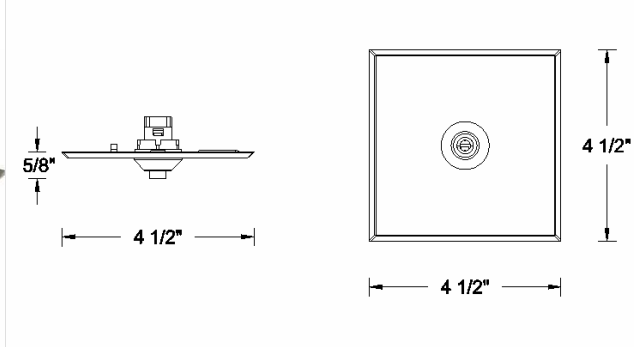


CATALOG NUMBER	TYPE
PROJECT	

SURFACE MOUNT CANOPY(METAL)SERIES QMP-1SQ-TR






Ordering Matrix	
Model	Finish
QMP-1SQ-TR	CH = Chrome BN = Brushed Nickel DB = Dark Bronze

Ordering Example (model – finish): QMP-1RN-TR-BN

Product Details	Specification Features
<p>Description: Quick connect canopy for use with low voltage quick connect QP series pendants and QF series track heads. Designed to be installed on ceilings or wood surfaces.</p> <p>Materials: Formed metal canopy in powder coat painted (DB) or plated finish (CH, BN). Base plate is galvanized steel.</p> <p>Transformer: Not supplied. A remote electronic or magnetic transformer (12 or 24 volt) is needed. Maximum wattage for QP&QF fixtures is 50 Watts.</p> <p>Mounting: Mounts over a standard 4" junction box, Base plate covers junction box opening, the canopy attaches to base plate with metal nut</p> <p>Finish: Chrome(CH), Brushed Nickel(BN), and Dark Bronze(DB). Canopy cover may also be field painted by installer to match the color of ceiling</p> <p>Listing: UL&CUL Listed.</p>	<ul style="list-style-type: none"> Quick-connect feature allows installation and removal of QP pendants and QF track heads without tools. Compatible pendant and fixture selection numbers over two hundred. The most recent additions can be found at www.waclighting.com 5 year product warranty.

Compatible Remote Transformer Selection (sold separately)

<p>Enclosed Electronic</p> <p>120V input, 50Hz/60Hz 12V or 24V output</p> <p>Capacity: From 60W to 300W</p>		<p>Component Electronic</p> <p>120V input, 50Hz/60Hz 12V or 24V output</p> <p>Capacity: From 60W to 150W</p>		<p>Magnetic</p> <p>120V input, 60Hz 12V or 24V output</p> <p>Capacity: From 300W to 1000W</p>	
--	---	---	---	--	---