

# INSTRUCTIONS: Framing Projector

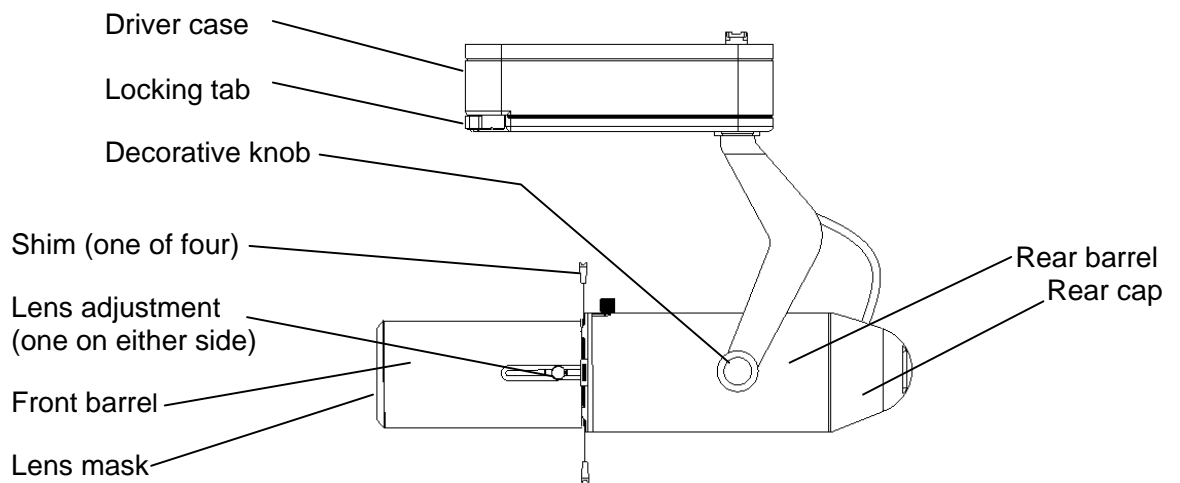
**Model:** J-LED009&H-LED009&L-LED009

- **CAUTION:** Always turn off power at main switch prior to installation to prevent electrical shock.

### Overview:

The J-LED009 framing projector creates a square or rectangular area of light to frame or highlight artwork. By using two lenses, the fixture controls the size and sharpness of the edge of the light beam. The fixture may also be used to project images on a wall through the use of a flat disc or lens called a gobo.

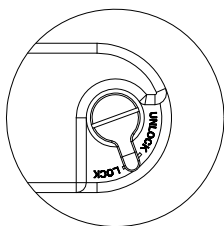
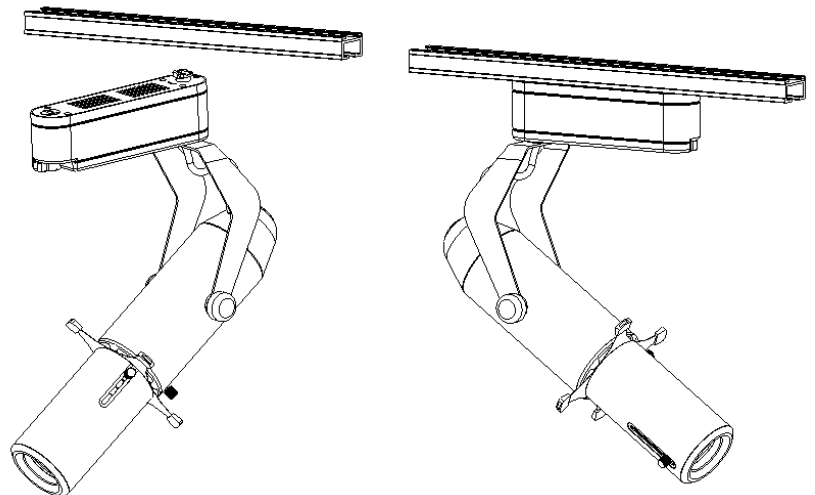
For optimum performance highlighted objects should be 3 to 5 times the light level of ambient room light.



### Installing to Track:

1. Note the track has a groove running its length to indicate polarity.
2. Note the arrow direction on the top of the ballast case and the contact marked with a letter "P".
3. Insert adapter into track slot and rotate it 90°. The "P" contact installs to the grooved side of the track.
4. Push and turn the locking tab in the same direction until seats in the track.

Removal is the reverse procedure. Track heads may be positioned anywhere along the track length.



### Adjustment:

1. Four metal shims are held in place between two spring plates, move the shims to define the light area. Spring tension will hold the shims where they are set.
2. Once the shims are in place the size can be further adjusted by varying the position of the lenses. There are two lens adjustment knobs located on either side of the front barrel. Slide the lenses until the size is right and the edge is sharp. Secure the setting by tightening the adjusting knobs.
3. Squaring the frame: a fine adjustment of the vertical / horizontal axis can be obtained by rotating barrel half a few degrees. To rotate, slightly loosen the fine adjustment knob on the rear barrel just behind the shims.

### To Insert Gobos:

The same adjustment knob used for fine adjustment also allows the two barrel halves to separate. Remove the framing shims by pivoting the shim 90° and pulling outward. The front barrel has several recesses that will accept "D" sized metal or glass gobos.

1. Place the gobo in the recess and secure with the spring retaining ring provided. (Note: an image will need to be placed upside down in the fixture to appear right side up on the wall).
2. To size and focus the image, adjust the two lenses in the front barrel as described above.

### Sharpening Focus:

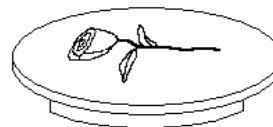
Once the lenses have been adjusted it is possible to obtain an even sharper image by using the lens mask. Screw the lens mask into the face of the front barrel. You will see a slight reduction in light level and crisper defined edges. This works with either shims or gobos.

### What is a Gobo?

Gobos are flat disc's with cut out images, similar to a stencil. The cut out can be any design, letters, images, or patterns. The images are then projected on walls.

Gobo's are not limited to simple designs, many are sophisticated multi colored images transferred to glass. Gobo companies have a selection of standard designs and most offer custom made gobos, such as a company logo.

Although WAC does not make gobos, customer service can refer you to companies offering them.



Retain these instructions for future service and adjustments  
44 Harbor Park Drive, Port Washington, NY 11050  
Tel: (800) 526-2588 Fax (800) 526-5050  
[www.waclighting.com](http://www.waclighting.com)

: