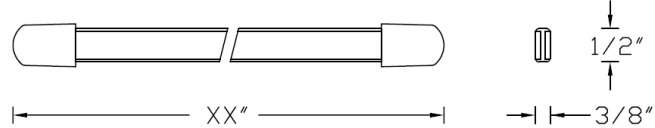


CATALOG NUMBER	TYPE
PROJECT	

SOLORAIL™ - TRACK **MODELS LM-T4 & LM-T8**



Ordering Information

Model Number	Length	Finish
<input type="text"/>	<input type="text"/>	<input type="text"/>

LM = Solorail™ Track	T4 = 4' Section of track T8 = 8' Section of track	DB = Dark Bronze CH = Chrome BN = Brushed Nickel
-----------------------------	--	---

Ordering Example (*model number – length – finish*): LM-T8-CH

Product Details	
Description:	WAC Solorail™ is a low voltage bendable single circuit track system. Straight rail is ordered as a four or eight foot section to be bent in the field as needed or used as a straight section. The rail is field cuttable and bendable by hand or with a bending tool.
Materials:	Solorail™ is composed of two 1.9mm thick copper bus wires with a 1.5mm thick polycarbonate core. Each rail also includes two matching polycarbonate end caps.
Electrical:	1 circuit, 12 volt or 24 volt. 300W maximum capacity at 12V. 600W maximum capacity at 24V.
Transformer:	Can use electronic surface mount, electronic remote, magnetic surface mount, or magnetic remote transformers (not included).
Mounting:	Mounts to flat, suspended, or sloped ceilings. Use 2 supports per 4 foot section and at least 3 per 8 foot section. Total number of supports used in an application depends on the shape of the track layout. Systems with very unique shapes may require the use of additional supports.
Finish:	Abrasion resistant bronze, chrome or Brushed Nickel finish. DB = Dark Bronze finish CH = Chrome finish BN = Brushed Nickel finish
Listing:	UL & CUL Listed.



Specification Features
<ul style="list-style-type: none"> Solorail™ utilizes low voltage track heads and pendants. The Solorail™ system uses LM style track heads as well as quick connect track heads and pendants in conjunction with the LM-QADP Quick Cconnect™ adaptor. The LM-QADP is compatible with all QF and QP socket sets. Can be suspended from ceiling with cable or rigid standoffs. Suspension support information can be found on the Solorail™ Suspension spec sheet. An optional rail bending tool (LM-BM) is available for field bending when precise control and very smooth curves are desired. 5 year WAC Lighting product warranty.


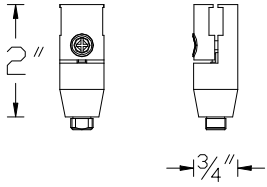
CATALOG NUMBER	TYPE
PROJECT	

SOLORAIL™ – TRACK ACCESSORIES **MODELS LM-T4 & LM-T8**

Ordering Matrix		
Model	Part Number	Finish
LM	EC BM QADP	DB CH BN

Ordering Example (model number – part number – finish): LM-EC-DB

Track Accessories			
Solorail™ End Cap LM-EC-color		Bending Machine LM-BM	
Description Extra end cap for Solorail™. Ordered when doing multiple cuts of a long piece of rail. Available in Dark Bronze (DB), Chrome (CH), or Brushed Nickel (BN).		Description Used to make smooth and consistent bends of rail. Two clamp brackets mount bending machine to table or similar flat surface. Angle indicators on bending machine help the user determine the proper amount of tension. <i>Note: No color options.</i>	

Solorail™ Quick Connect™ adapter. LM-QADP-color	 
Description Solorail™ system quick connect adaptor allows all quick connect elements (QF track heads or QP pendants) to be used with the LM system rail. The adaptor contains a threaded nipple for quick connect socket sets and attaches anywhere along the LM track. One adaptor must be ordered for each quick connect element used on a system. Available in Dark Bronze (BZ), Chrome (CH), or Brushed Nickel (BN).	