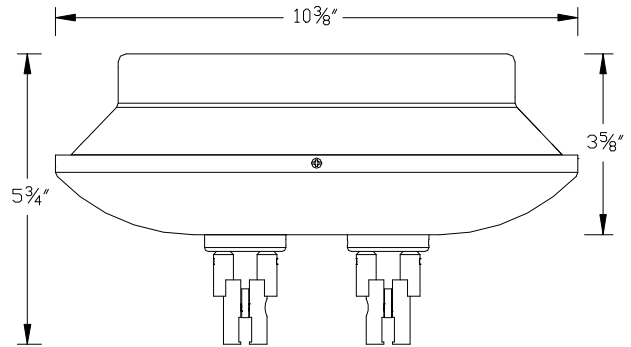


CATALOG NUMBER	TYPE
PROJECT	

SOLORAIL™ – SURFACE MOUNT TRANSFORMER

MODEL LM-EN12-600M



Ordering Matrix		
Model	Part Number	Finish
LM-EN12	600M	DB CH BN

Ordering Example (model number – part number – finish): LM-EN12-600M-DB

Product Details	
Description:	Surface mount magnetic low voltage transformer for the WAC Solorail™ system. The canopy style enclosure includes the transformer and the track power feed adaptors.
Catalog Number:	LM = Low voltage Solorail™ EN12 = 12 volt, enclosed canopy transformer 600M = 600 watt magnetic
Input:	120V (50/60Hz)
Output:	12V
Max Load:	600W (Two 300w circuits)
Max Input Amp:	5.0A (@ 120V)
Mounting:	Installs to a standard junction box. Total weight = 25 lbs. The standard LM-EN12 configuration matches the height of the 5 3/4" standoffs (LM-X5).
Finish:	Available in Bronze (DB), Chrome (CH), and Brushed Nickel (BN).
Listing:	UL & CUL Listed. 5 year WAC Lighting product warranty.

Specification Features
<ul style="list-style-type: none"> The LM-EN12-600M model has two 300w feeds and is designed to power two separate sections of rail. Dims with magnetic low voltage dimmers. The output circuit breakers located on the upper lip of the canopy enclosure are a magnetic push to reset type. Contains integral de-buzzing coil. The surface mount canopy transformer is an ideal choice when the installation is on an existing ceiling.