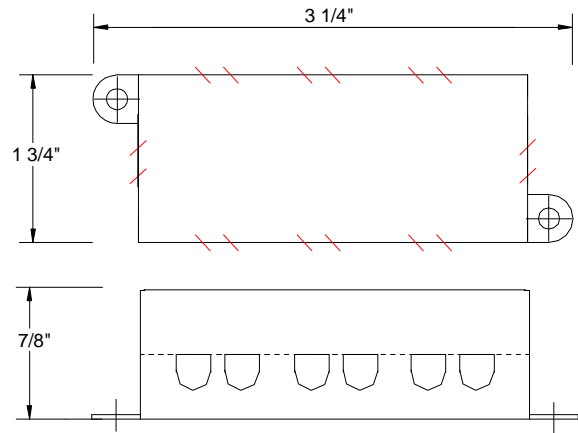


CATALOG NUMBER	TYPE
PROJECT	

ELECTRONIC TRANSFORMER CONNECTION BOX

MODEL MTB-01



Ordering Matrix		
Model	Finish	Accessories
[]	[]	
MTB-01	BK	-NA-

Ordering Example (model-finish) : MTB-01-BK

Product Details	
Description:	Terminal block for neat and secure wire connections. Accepts transformer output wires and provides wiring sites for up to 6 fixtures. Work for wires up to 14 gauge.
Catalog Number:	MTB-01 = Multiple Terminal Block
Finish:	Black (BK)
Input / Output:	(1) Input connection, labeled as A (6) Output connections, labeled as B, C, D, E, F, G Input 12V-24V, 12.5A max
Listing:	Conforms to UL standard 1059.
Accessories:	None

Specification Features
<ul style="list-style-type: none"> Accepts output wires from the secondary side of a transformer and provides six low voltage connection sites. Eliminates the need for many wires joined together in a wire nut. 5 year W.A.C. Lighting product warranty.