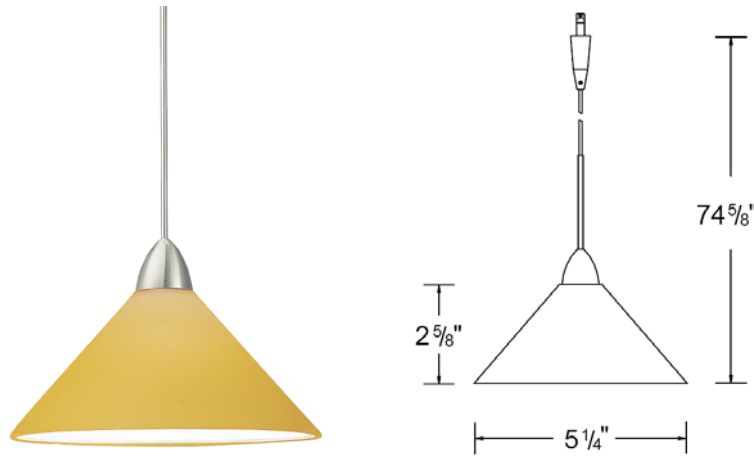


CATALOG NUMBER	TYPE
PROJECT	

KALEIDOSCOPE COLLECTION

QUICK CONNECT™ pendants- JILL



Ordering Matrix		
Model	Glass	Socket Set Finish
<input type="text"/>	<input type="text"/>	<input type="text"/>
QP512	AM - Amber	BN – Brushed Nickel CH – Chrome DB – Dark Bronze

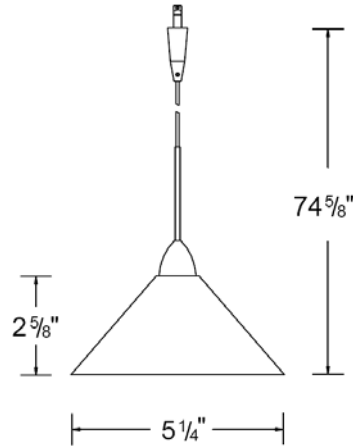
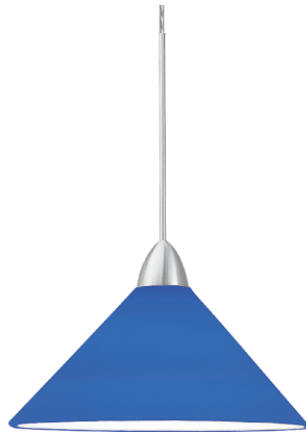
Example (Model-Glass/Socket Set Finish) : QP512-AM/BN

Product Details		Specification Features	
Description:	Complete set includes hand blown glass shade, socket set and lamp for use with all WAC QUICK CONNECT™ systems. May also be compatible with other manufacturers quick connect systems. Consult WAC for system compatibility information.	<ul style="list-style-type: none"> ● QP512 requires proper QUICK CONNECT™ adapter to use with WAC's low voltage rail and track systems (DUORAIL™, SOLO RAIL™ and Linear track), line voltage track systems, (FLEXRAIL1™ and 120v track) and monopoint and multipoint canopies. ● Complete set should include glass shade (G512), socket set and lamp ● 6' long socket set cable, field cuttable ● Socket set finishes include Brushed Nickel (BN), Chrome (CH)& Dark Bronze (DB) ● 5 year product warranty. 	
Materials:	QP512-AM/BN consists of three parts: (1) G512-AM Amber art glass shade (1) QP-501-BN Pendant socket set (1) JC-50 Halogen Bi-Pin lamp (included)		
Socket:	Include 6' of braided cable and hang-straight tube.		
Shade:	The colorful designer look of hand blown, cased glass pendants etched in an assortment of candy colors. The glass shade measures as follows: 2 5/8" H x 5 1/4" Ø		
Wattage:	12v 50w max.		
Finish:	AM/BN - Amber pendant and Brushed Nickel socket AM/CH - Amber pendant and Chrome socket AM/DB - Amber pendant and Dark Bronze socket		
Listing:	UL & CUL Listed.		

CATALOG NUMBER	TYPE
PROJECT	

KALEIDOSCOPE COLLECTION

QUICK CONNECT™ pendants- JILL



Ordering Matrix		
Model	Glass	Socket Set Finish
<input type="text"/>	<input type="text"/>	<input type="text"/>
QP512	BL - Blue	BN – Brushed Nickel CH – Chrome DB – Dark Bronze

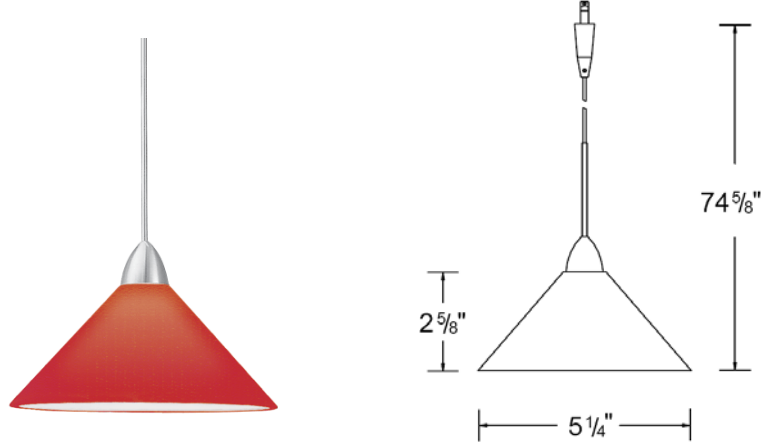
Example (Model-Glass/Socket Set Finish) : QP512-BL/BN

Product Details		Specification Features
Description:	Complete set includes hand blown glass shade, socket set and lamp for use with all WAC QUICK CONNECT™ systems. May also be compatible with other manufacturers quick connect systems. Consult WAC for system compatibility information.	<ul style="list-style-type: none"> ● QP512 requires proper QUICK CONNECT™ adapter to use with WAC's low voltage rail and track systems (DUORAIL™, SOLORAIL™ and Linear track), line voltage track systems, (FLEXRAIL1™ and 120v track) and monopoint and multipoint canopies. ● Complete set should include glass shade (G512), socket set and lamp ● 6' long socket set cable, field cuttable ● Socket set finishes include Brushed Nickel (BN), Chrome (CH)& Dark Bronze (DB) ● 5 year product warranty.
Materials:	QP512-BL/BN consists of three parts: (1) G512-BL Blue art glass shade (1) QP-501-BN Pendant socket set (1) JC-50 Halogen Bi-Pin lamp (included)	
Socket:	Include 6' of braided cable and hang-straight tube.	
Shade:	The colorful designer look of hand blown, cased glass pendants etched in an assortment of candy colors. The glass shade measures as follows: 2 5/8" H x 5 1/4" Ø	
Wattage:	12v 50w max.	
Finish:	BL/BN - Blue pendant and Brushed Nickel socket BL/CH - Blue pendant and Chrome socket BL/DB - Blue pendant and Dark Bronze socket	
Listing:	UL & CUL Listed.	

CATALOG NUMBER	TYPE
PROJECT	

KALEIDOSCOPE COLLECTION

QUICK CONNECT™ pendants- JILL



Ordering Matrix		
Model	Glass	Socket Set Finish
<input type="text"/>	<input type="text"/>	<input type="text"/>
QP512	RD-Red	BN – Brushed Nickel CH – Chrome DB – Dark Bronze

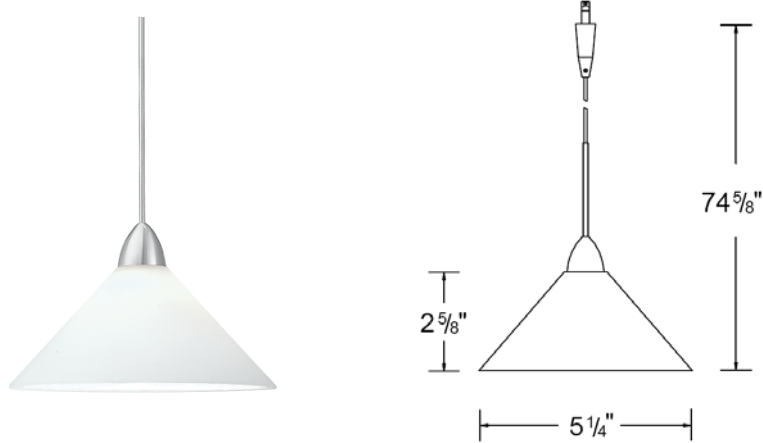
Example (Model-Glass/Socket Set Finish) : QP512-RD/BN

Product Details		Specification Features
Description:	Complete set includes hand blown glass shade, socket set and lamp for use with all WAC QUICK CONNECT™ systems. May also be compatible with other manufacturers quick connect systems. Consult WAC for system compatibility information.	<ul style="list-style-type: none"> ● QP512 requires proper QUICK CONNECT™ adapter to use with WAC's low voltage rail and track systems (DUORAIL™, SOLORAIL™ and Linear track), line voltage track systems, (FLEXRAIL1™ and 120v track) and monopoint and multipoint canopies. ● Complete set should include glass shade (G512), socket set and lamp ● 6' long socket set cable, field cuttable ● Socket set finishes include Brushed Nickel (BN), Chrome (CH)& Dark Bronze (DB) ● 5 year product warranty.
Materials:	QP512-RD/BN consists of three parts: (1) G512-RD Red art glass shade (1) QP-501-BN Pendant socket set (1) JC-50 Halogen Bi-Pin lamp (included)	
Socket:	Include 6' of braided cable and hang-straight tube.	
Shade:	The colorful designer look of hand blown, cased glass pendants etched in an assortment of candy colors. The glass shade measures as follows: 2 5/8" H x 5 1/4" Ø	
Wattage:	12v 50w max.	
Finish:	RD/BN - Red pendant and Brushed Nickel socket RD/CH - Red pendant and Chrome socket RD/DB - Red pendant and Dark Bronze socket	
Listing:	UL & CUL Listed.	

CATALOG NUMBER	TYPE
PROJECT	

KALEIDOSCOPE COLLECTION

QUICK CONNECT™ pendants- JILL



Ordering Matrix		
Model	Glass	Socket Set Finish
QP512	WT-White	BN – Brushed Nickel CH – Chrome DB – Dark Bronze

Example (Model-Glass/Socket Set Finish) : QP512-WT/BN

Product Details		Specification Features
Description:	Complete set includes hand blown glass shade, socket set and lamp for use with all WAC QUICK CONNECT™ systems. May also be compatible with other manufacturers quick connect systems. Consult WAC for system compatibility information.	<ul style="list-style-type: none"> ● QP512 requires proper QUICK CONNECT™ adapter to use with WAC's low voltage rail and track systems (DUORAIL™, SOLORAIL™ and Linear track), line voltage track systems, (FLEXRAIL1™ and 120v track) and monopoint and multipoint canopies. ● Complete set should include glass shade (G512), socket set and lamp ● 6' long socket set cable, field cuttable ● Socket set finishes include Brushed Nickel (BN), Chrome (CH)& Dark Bronze (DB) ● 5 year product warranty.
Materials:	QP512-WT/BN consists of three parts: (1) G512-WT White art glass shade (1) QP-501-BN Pendant socket set (1) JC-50 Halogen Bi-Pin lamp (included)	
Socket:	Include 6' of braided cable and hang-straight tube.	
Shade:	The colorful designer look of hand blown, cased glass pendants etched in an assortment of candy colors. The glass shade measures as follows: 2 5/8" H x 5 1/4" Ø	
Wattage:	12v 50w max.	
Finish:	WT/BN - White pendant and Brushed Nickel socket WT/CH - White pendant and Chrome socket WT/DB - White pendant and Dark Bronze socket	
Listing:	UL & CUL Listed.	