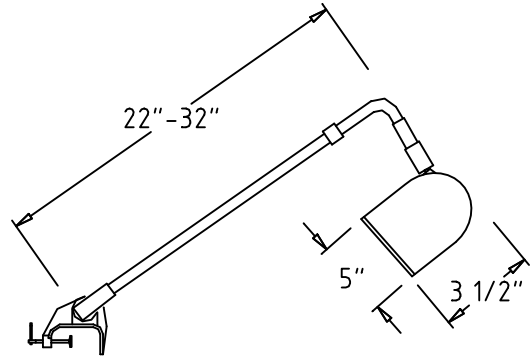


**LINE VOLTAGE DISPLAY LIGHT**

**MODEL DL-150**



**Ordering Matrix**

Model	Series	Finish
[ ]	[ ]	[ ]
DL	150	BK WT

Ordering Example (model number – series – finish): DL-150-WT

**Product Details**

**Description:** Line voltage halogen wall wash type display light with vertical louvers for use on wall partitions, display booths, and portable work areas. Utilizes t-style quart halogen lamp and internal reflector to produce uniform wall illumination. Mounts to flat surfaces with vice tension clamp, accommodating widths of 1/2" to 2 1/2".

**Materials:** Fixture head and connector are die-cast aluminum. Periscoping arm is steel. Internal louvers aluminum. Clamp is heavy duty polycarbonate. Medium base lamp socket is porcelain with nickel-plated copper shell.  
10' grounded cord and plug.

**Aiming:** Ball and hub aiming feature allows a full range of vertical and horizontal orientation. All die-cast parts assure the aiming angle is kept in place through continuous use and maintenance.

**Lamping:** 120v 150w linear halogen. J-150S lamp included.

**Finish:** Abrasion resistant black (BK) or white (WT) paint finish.

**Accessories:** DLC-4 = wide surface clamp accommodates up to 4" width.  
DLC-P = pipe clamp works on round surfaces up to 2 1/2" diameter.

**Listing:** U.L. & C.U.L. listed.

**Specification Features**

- Portable lighting unit that comes complete with lamp and 10' cord and plug.
- Architectural die-cast aluminum display head with smooth aiming and contemporary design.
- The DL-150 is dimmable with any incandescent dimmer switch.
- Periscoping style arm can allow the head of the display light to be placed up to an extra 10" back from surface and then locked in place with a simple twist and lock.
- 5 year W.A.C. Lighting product warranty.