

INSTRUCTIONS:

Adjustable Pendant fixtures

Model: AP-7RE

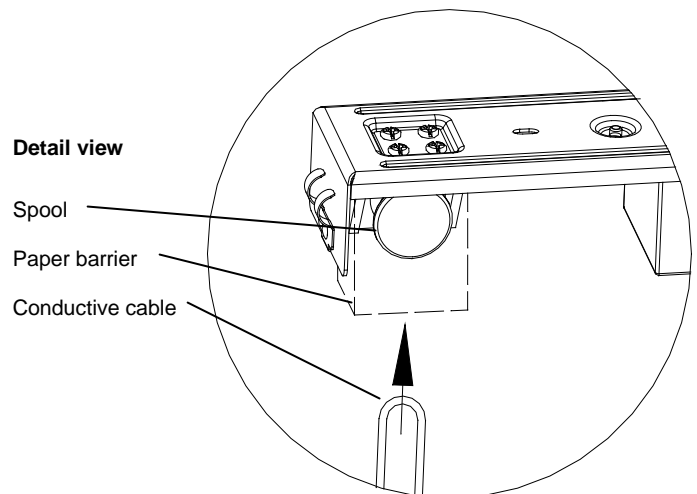
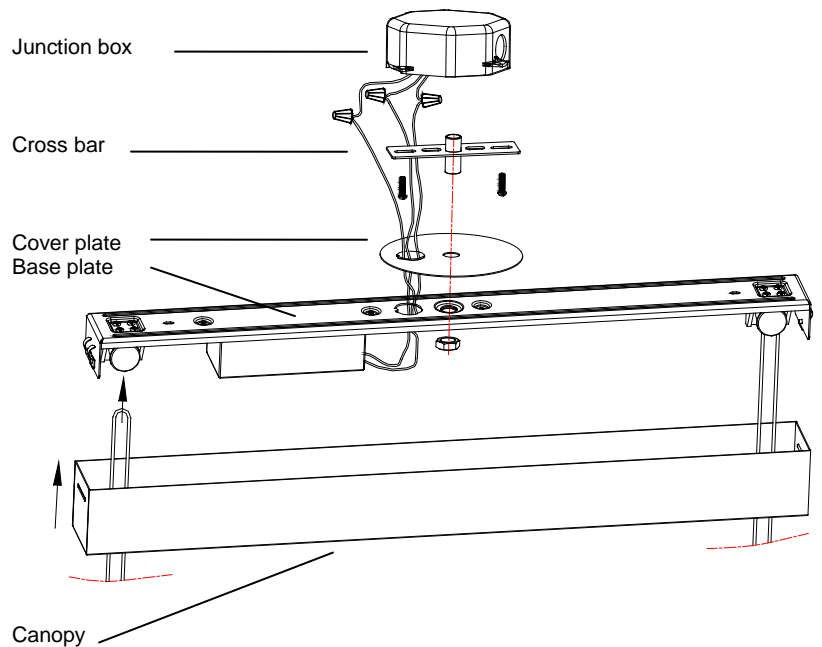
CAUTION:

Always turn off power at fuse box prior to installation to prevent electrical shock.
For installation by a qualified electrician.

Overview: Fixtures may be installed over a standard 4" junction box, or direct wired. Canopies come with a self-contained electronic transformer that can generally be used with a standard incandescent dimmer switch. Low voltage power travels through the braided cables and a counter weight. Care should be taken not cross the cables as this will result in an electrical short circuit. The fixture height can be adjusted by sliding the counter weight bar. Supplied with white shades and 20 watt Xenon lamps.

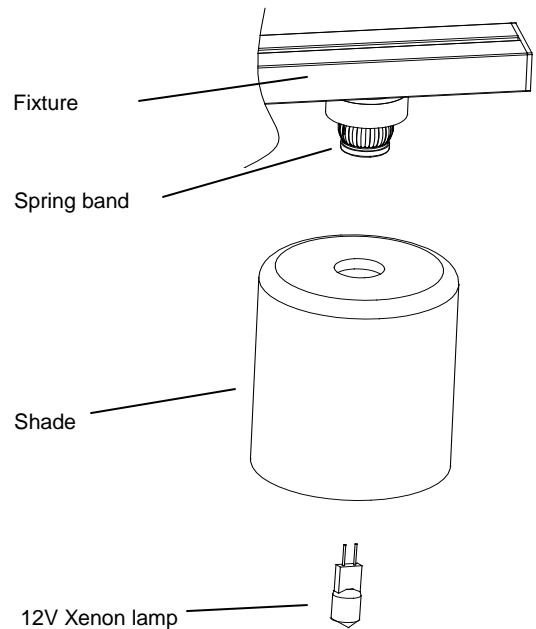
Installing fixture:

1. Pull on the canopy to separate it from the base plate.
2. Remove a knock out from the cover plate and base plate.
3. Mount cross bar to the junction box and then the threaded tube to the cross bar (for direct wire secure mounting plate to surface, and proceed to step 5).
4. Secure cover plate and base plate to the threaded tube with flat nut from below.
5. Connect ground wire from junction box to the green grounding wire from the base plate.
6. Connect corresponding color line volt wires from the junction box to transformer wires, with wire nuts (supplied). Tuck excess wire into the junction box (for direct wire tuck wires into the canopy).
7. Adjust the threaded tube so the base plate is flush to ceiling.
8. The braided cables go over spools that are conductors. Push looped cable end through the slotted opening and within the insulation barrier. Make sure there are no tangles or kinks, and that the cable fits snug over the spool.
9. Push the canopy on to the base plate. The canopy is retained by the spring tension.



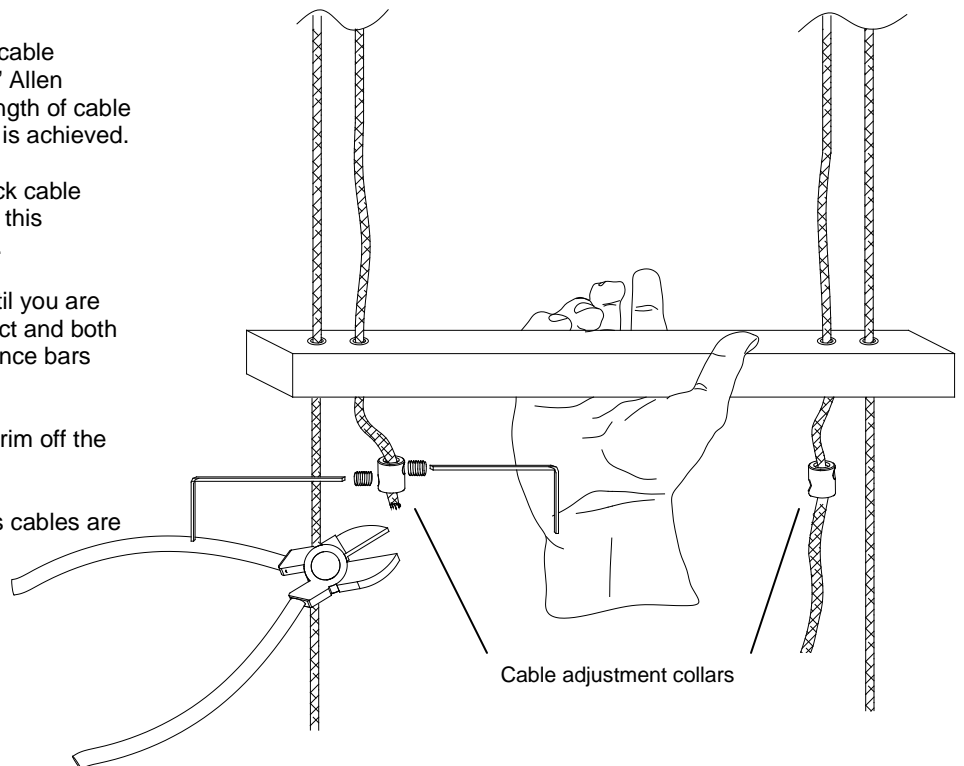
Installing Lamp & Shade:

1. Insert the lamp into the fixture by aligning the pins with the socket holes, and gently pushing until lamp seats.
2. Use 12V 20W max. bi-pin Xenon lamp (not tungsten halogen) with G4 base (supplied).
3. Position shade hole over the spring band and push on. (See diagram).



Field Cutting:

1. Make sure power is off.
2. Support the counter balance bar and fixture bar. Push the inside cable through the bottom of the bar.
3. Loosen the 2 set screws in the cable adjustment collar (use the 1/16" Allen wrench provided) and pull a length of cable through until the desired height is achieved.
4. Tighten both set screws and tuck cable collar back into the bar. Repeat this procedure on the opposite side.
5. Do not trim off excess cable until you are satisfied that the height is correct and both the fixture bar and counter balance bars are level.
6. Once the bar is level it is ok to trim off the cable below the collar.
7. Measure twice and cut once, as cables are not replaceable.



Retain instructions for future reference