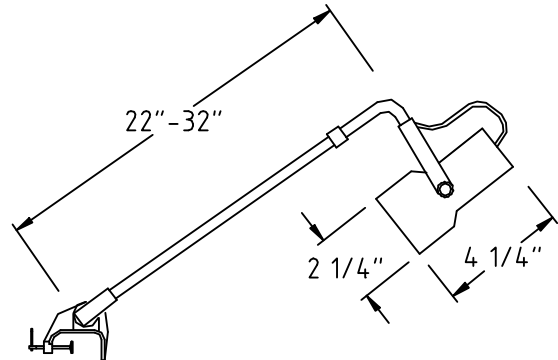


CATALOG NUMBER	TYPE
PROJECT	

LOW VOLTAGE DISPLAY LIGHT

MODEL DL-007



Ordering Matrix		
Model	Series	Finish
[]	[]	[]
DL	007	BK WT

Ordering Example (model number – series – finish) : DL-007-BK

Product Details	
Description:	Low voltage display light with plug in transformer for use on wall partitions, display booths, and portable work areas. Mounts to flat surfaces with vice tension clamp, accommodating widths of 1/2" to 2 1/2".
Materials:	Fixture head and connector are aluminum. Periscoping arm is steel. Clamp is heavy duty polycarbonate. Bi-pin socket is ceramic with silver plated contacts. 10' grounded cord and plug with 60w plug in style transformer.
Aiming:	Yoke and swivel aiming feature allows a full range of vertical and horizontal orientation. Large locking screw assures the aiming angle is kept in place through continuous use and maintenance.
Lamping:	12v halogen, MR-16G. 50w maximum. Lamp not included.
Finish:	Abrasion resistant black (BK) or white (WT) paint finish.
Accessories:	DLC-4 = wide surface clamp accommodates up to 4" width. DLC-P = pipe clamp works on round surfaces up to 2 1/2" diameter. SW3 = Inline on/off switch to be installed in field installations. 008FP = Framing Projector, placed onto the DL-007 unit to allow the focusing and shaping of the light output.
Listing:	U.L. & C.U.L. listed.

Specification Features
<ul style="list-style-type: none"> • Portable lighting unit that comes complete with clamp and 10' cord and plug. • Comes with a 60W class II 120V to 12V electronic plug in transformer. • Periscoping style arm can allow the head of the display light to be placed up to an extra 10" back from surface and then locked in place with a simple twist and lock. • The framing projector option allows the fixture to be used to highlight artwork, posters, or signage without light spill onto any adjacent surfaces. • 5 year W.A.C. Lighting product warranty.