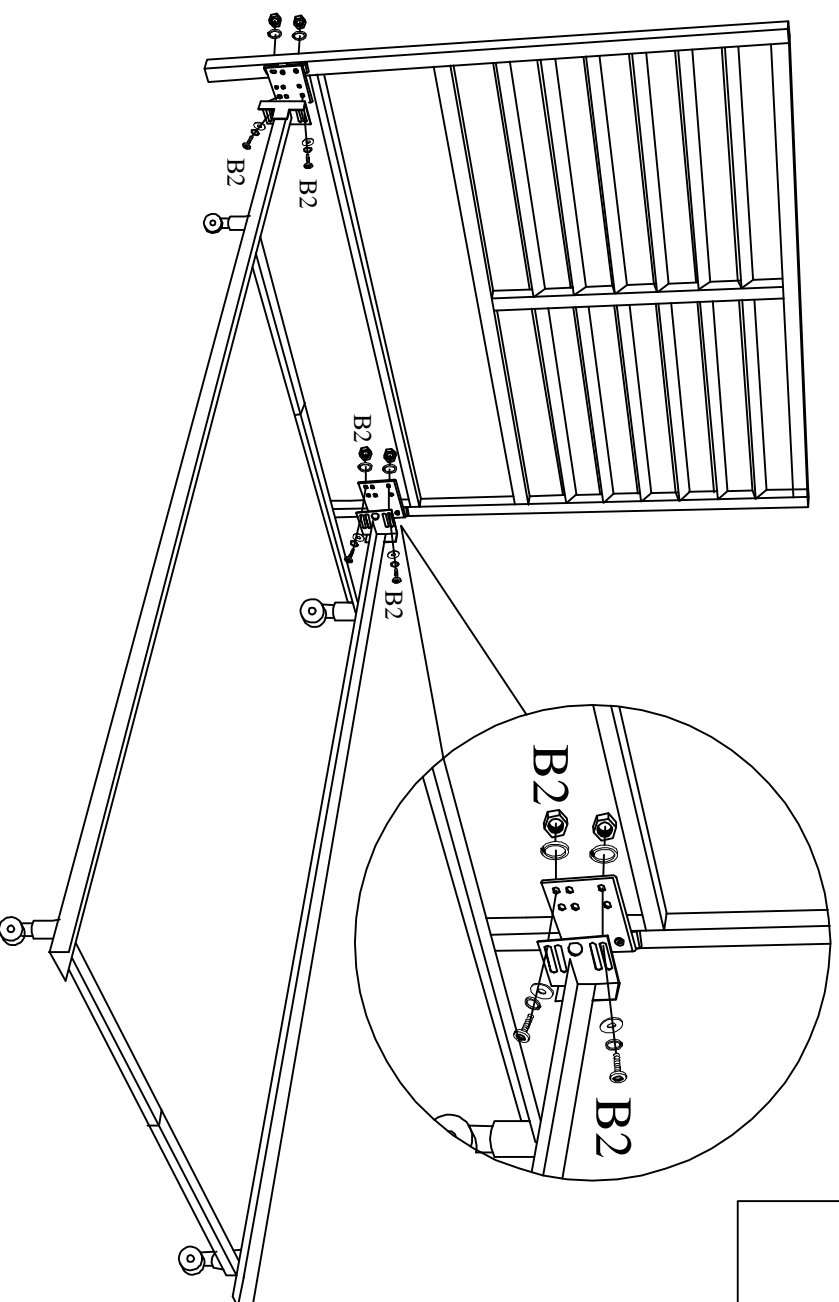
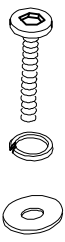

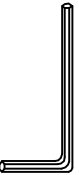
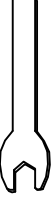



Assembly Instruction (Queen/Full Headboard)

- 1).When attach your Full size bed frame to this Headboard,Please use provided metal plates and B2 hardware for connection.
- 2).When you use Queen size bed frame, Please connect your bed frame directly to the Headboard using provided hardware B1.
- 3). Periodically check to ensure that all connectors (bolts,screws,etc)are tight.
- 4). Prohibit jumping on the bed.
- 5). Please check the maximum load capacity of your bed frame and do not exceed that weight.

(Bed Frame is not included.)



	B1 6SETS $\frac{1}{4}$ "x1 " L
	B2 6SETS $\frac{1}{4}$ "x1 " L
	Allen Key 1PC
	Spanner 1PC
	Metal plate 2PCS