

G97325 Kitchen Helper Assembly Instructions

For ages 3 and up. Adult assembly required.

⚠ WARNING

Small parts and sharp points may be present prior to assembly.

Care Instructions

To clean your product, use mild soap and water on a damp cloth. Do not use window cleaners or cleaning abrasives as they will scratch the surface and could damage the protective coating.

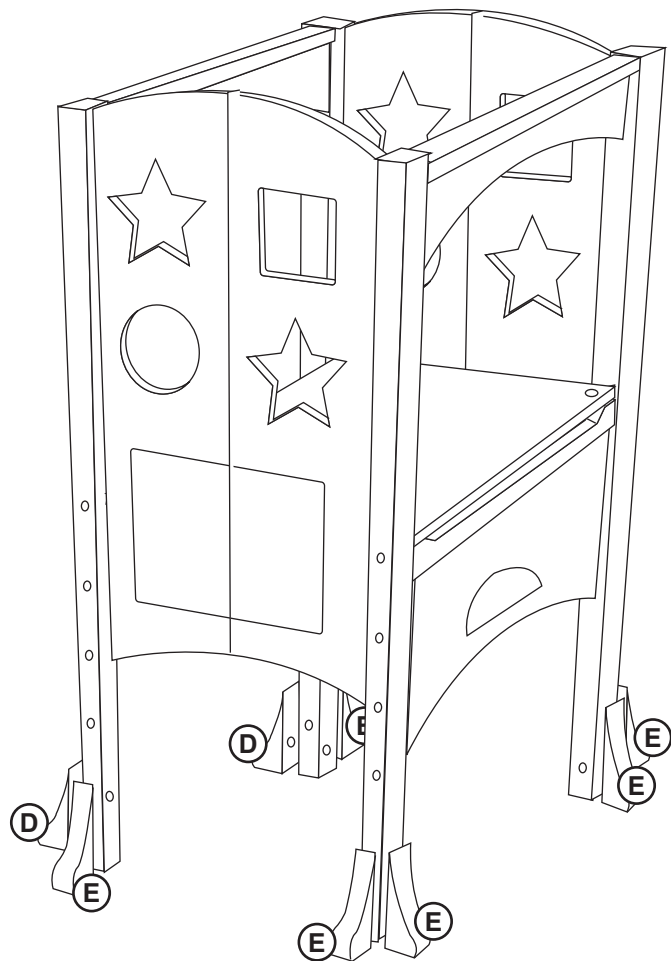
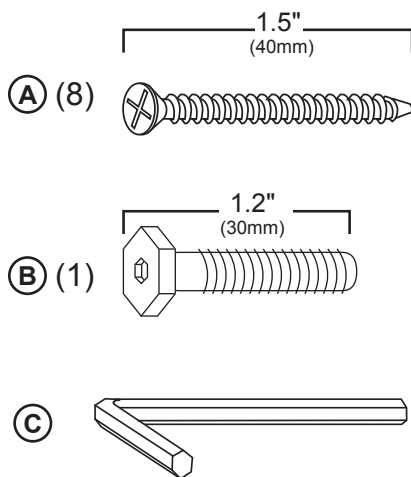
Customer Service

For questions regarding this product, or to receive replacement or missing parts, contact Customer Service at (800) 524-3555. Please have the model number and part number(s) located in this Assembly Instruction sheet available for reference.

Limited Warranty

All Guidecraft products are warranted to the original purchaser at the time of purchase and for a period of one (1) year thereafter. In order to provide you with timely assistance, please thoroughly inspect your product for missing or defective parts immediately after opening the carton. To receive replacement or missing parts under this warranty, contact Customer Service. You will also need your sales receipt or other proof of purchase.

Hardware and Parts



Assembly

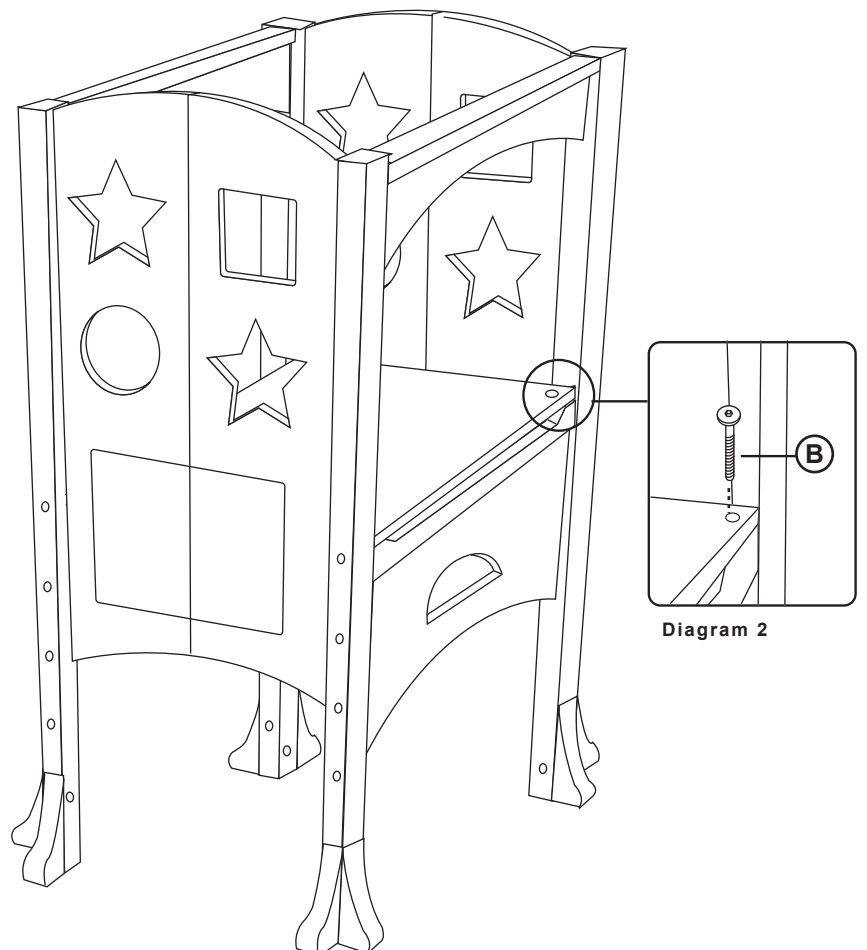
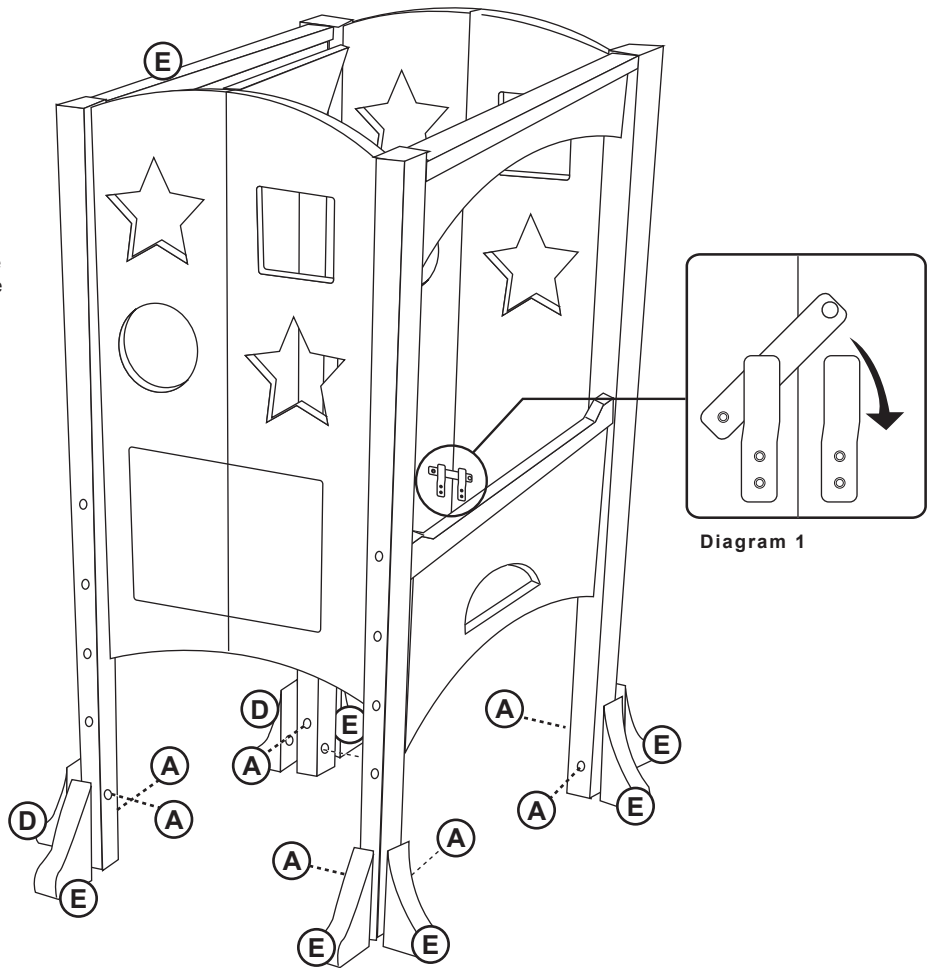
1. Remove item from carton. Fold sides out until they are straight.
2. Rotate clips on inside of doors until they are firmly in place (Diagram 1).
3. Place platform in the down position, so that it rests on the crossbar.
4. Attach feet (D) to the front of the Kitchen Helper using screws (A). Please note: because the screws crisscross inside the posts, half the feet have pre-drilled holes and pegs placed in a higher position than the other feet.
5. Attach feet (E) to the sides and back of the Kitchen Helper using screws (A).
5. Use screw (B) to hold platform in place when in use (Diagram 2).

Storage

1. Remove screw (B).
2. Raise platform and hold in position.
3. Rotate side clips so that they are in the open position (Diagram 1).
4. Fold in sides accordion-style.

Maintenance

To ensure safe use of the Kitchen Helper, please check all bolts periodically to ensure they are securely fastened.



Adjusting The Platform

The Kitchen Helper is designed to be used at 3 different heights, depending upon the age and size of the child: 18", 15" and 12". The product ships in the 18" position. To lower it, follow the simple steps below.

1. Remove screws on both sides as shown in Diagram 1.
2. Lower platform and sides to desired height.
3. Replace screws and tighten.

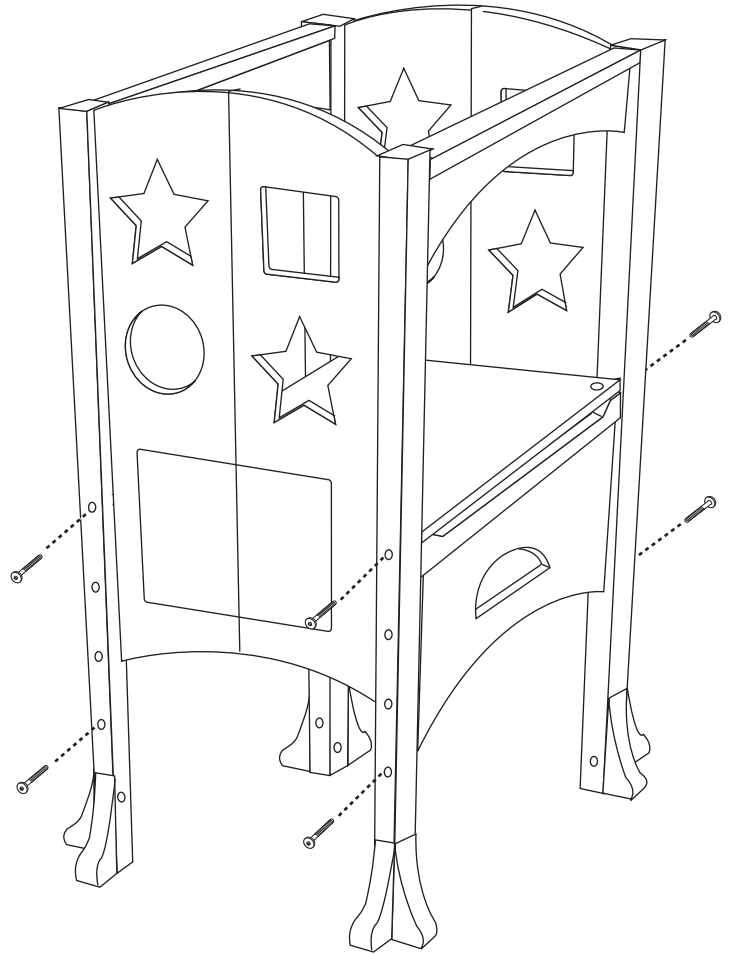


Diagram 1

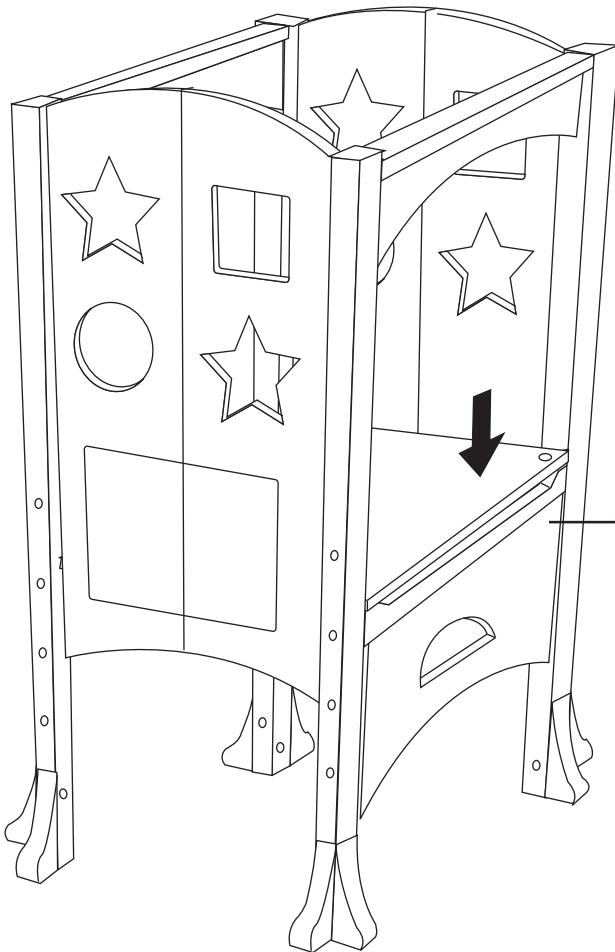


Diagram 2

