

# fluid

Innovative fixtures for life

## **SPECIFICATIONS**

Customer Service: 1-800-460-7019  
[www.fluidfaucets.com](http://www.fluidfaucets.com)

**SSI**<sup>TM</sup>  
 SUSTAINABLE  
 SOLUTIONS  
 INTERNATIONAL

### Specifications

- Undermount double bowl kitchen sink
- High quality fluid sink are formed of #18 gauge (1.2mm) type 304 (18-8) nickel-bearing stainless steel.
- Overall dimension: 36-15/16"(938mm) x 20-1/16"(458mm) x 9"(229mm)
- Minimum cabinet size: 40" (1016mm)
- Has 3-1/2" (90mm) diameter recessed drain opening.
- Full undercoating and large rubber pads for noise reduction and condensation elimination.
- The exposed surfaces are polished to a satin finish.
- Cut-out template and mounting hardware are included.
- Stainless steel strainers are included.
- The sink is individually packed.

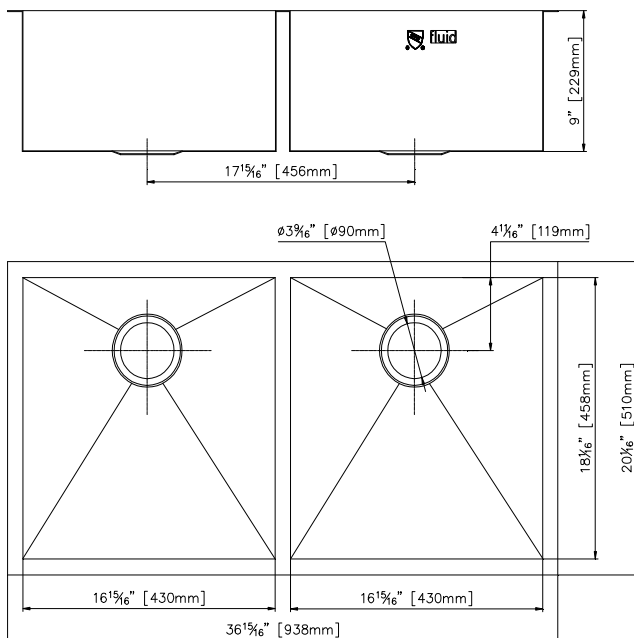
### Codes and Standards

- ANSI/ASME A112.19.3-2000
- CSA B45 Series-02
- IAPMO / cUPC Listed

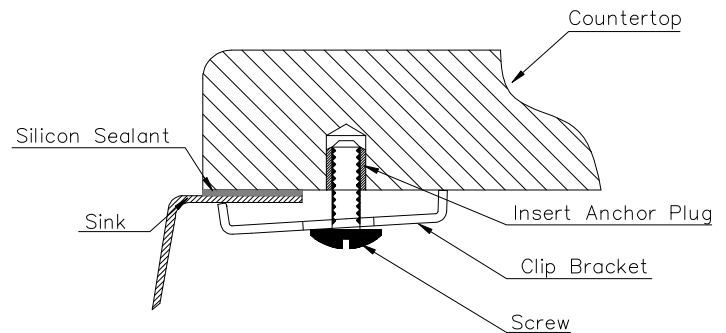
### Warranty

- Limited Lifetime Sink Warranty against material and manufacturing defects for residential use.
- 1 Year Limited Warranty on all industrial, commercial and business applications.

### fluid Point 90 Deg Angle Sink Double Bowl Kitchen Sink Model: UD3720(9")



### Installation Detail



**Optional Accessories** such as colander, bottom grid and cutting board may be available. Please contact our sales representative for details.

### IMPORTANT NOTE:

**Cut-out template is included in the carton box. Fabricator must check it for accuracy. We are not responsible for wrong cutting.**