



26790 Madison Ave.  
Murrieta, CA 92562  
888-304-0660

www.waterstoneco.com

ITEM NO:

1150H

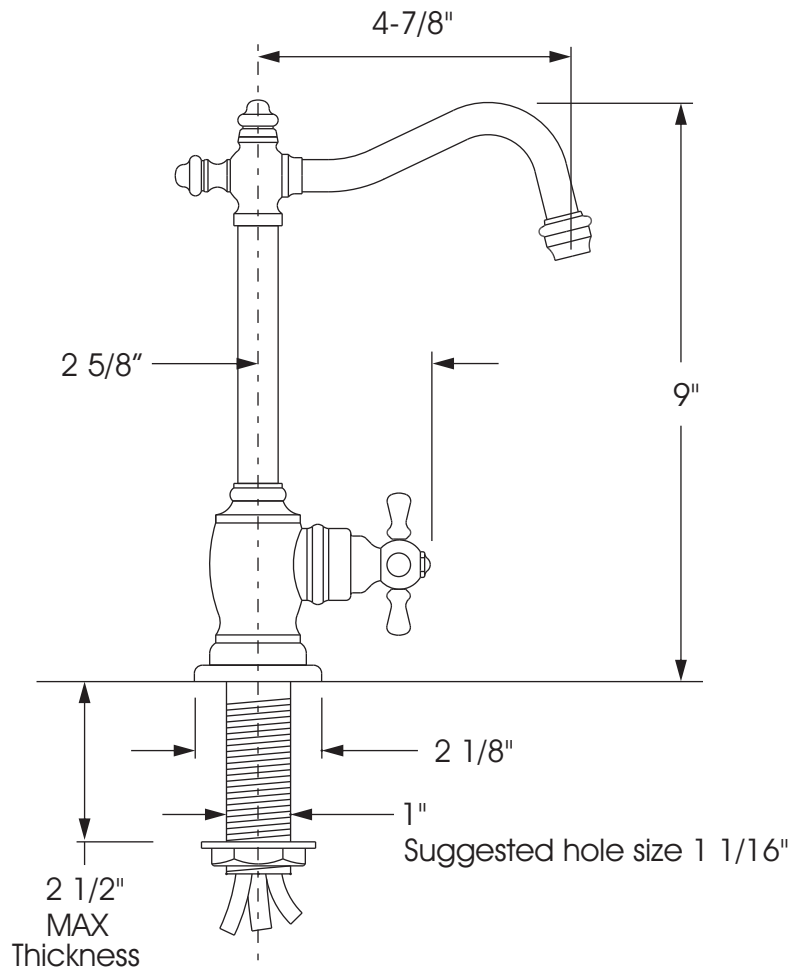
STYLE: ANNAPOLIS

INTENDED USE:  
FILTRATION FAUCET -HOT ONLY

CUSTOMER NAME:

JOB NO:

DIMENSIONS MAY VARY AND ARE SUBJECT TO CHANGE. NO RESPONSIBILITY IS ASSUMED FOR USE OF SUPERCEDED OR VOIDED DATA.



Connection tubing:

Supply- 1/4" Blue LLDPE (plastic) x 48"

To Hot Tank inlet- 1/4" Red LLDPE (plastic) x 36"

To Hot Tank outlet- 5/16" Clear PTFE (Teflon®) x 36"

Technical Specifications:

- Compatible with Reverse Osmosis
- Solid brass construction.
- 1/4 turn ceramic disk valve cartridge.
- Cross handle.
- 1.1 gpm maximum flow rate.
- 360 degree swivel spout.

**Codes/Standards Applicable**

Specified model meets or exceeds the following:

- ASME A112.18.1
- CSA B125.1
- NSF 61

DATE: 1-10-08



**Made in the U.S.A.**