

Ulti MATE



ROLLING BASE CABINET Model Number # GA-03

Heavy Duty, Single Door, Single Drawer, Rolling Cabinet

PLEASE DO NOT TAKE THIS PRODUCT BACK TO THE STORE!

Most likely, stores do not stock spare parts and cannot help. In the event that parts are missing.

PLEASE CALL: 800-344-7005

ASSEMBLY INSTRUCTIONS

Bladez Corp. | Ultimate Garage - 20155 Ellipse - Foothill Ranch, CA 92610
949.206.8155 (V) - 949.206.0013 (F)

PARTS LIST

Ulti MATE

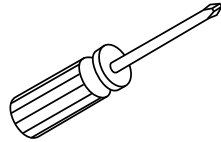


ROLLING CABINET MODEL #GA-03

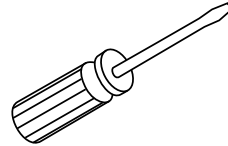
Using the Parts List below, check to make sure all parts are included. Instructions will reference Part Letters found in this list. In the event that parts are missing or damaged.

PLEASE CALL: 800-344-7005

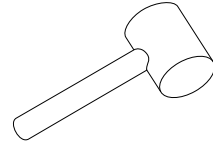
TOOLS NEEDED FOR ASSEMBLY




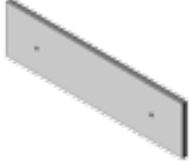






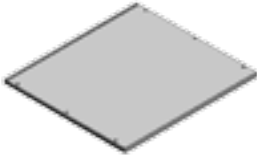




Phillips Screw Driver



Flat Screw Driver



Rubber Mallet

#	DESCRIPTION	QTY	IMAGE	#	DESCRIPTION	QTY	IMAGE
a	Side Panel (RIGHT)	1		h	Drawer Face	1	
b	Side Panel (LEFT)	1		i	Door	1	
c	Back Spanner (TOP OR BOTTOM)	2		j	Drawer (BACK)	1	
d	Back Spanner (MIDDLE)	1		k	Drawer (BOTTOM)	1	
e	Bottom Panel	1		l	Drawer (RIGHT)	1	
f	Top Work Surface	1		m	Drawer (LEFT)	1	
g	Back Panel	2					

PARTS LIST Uti MATE



ROLLING CABINET MODEL #GA-03

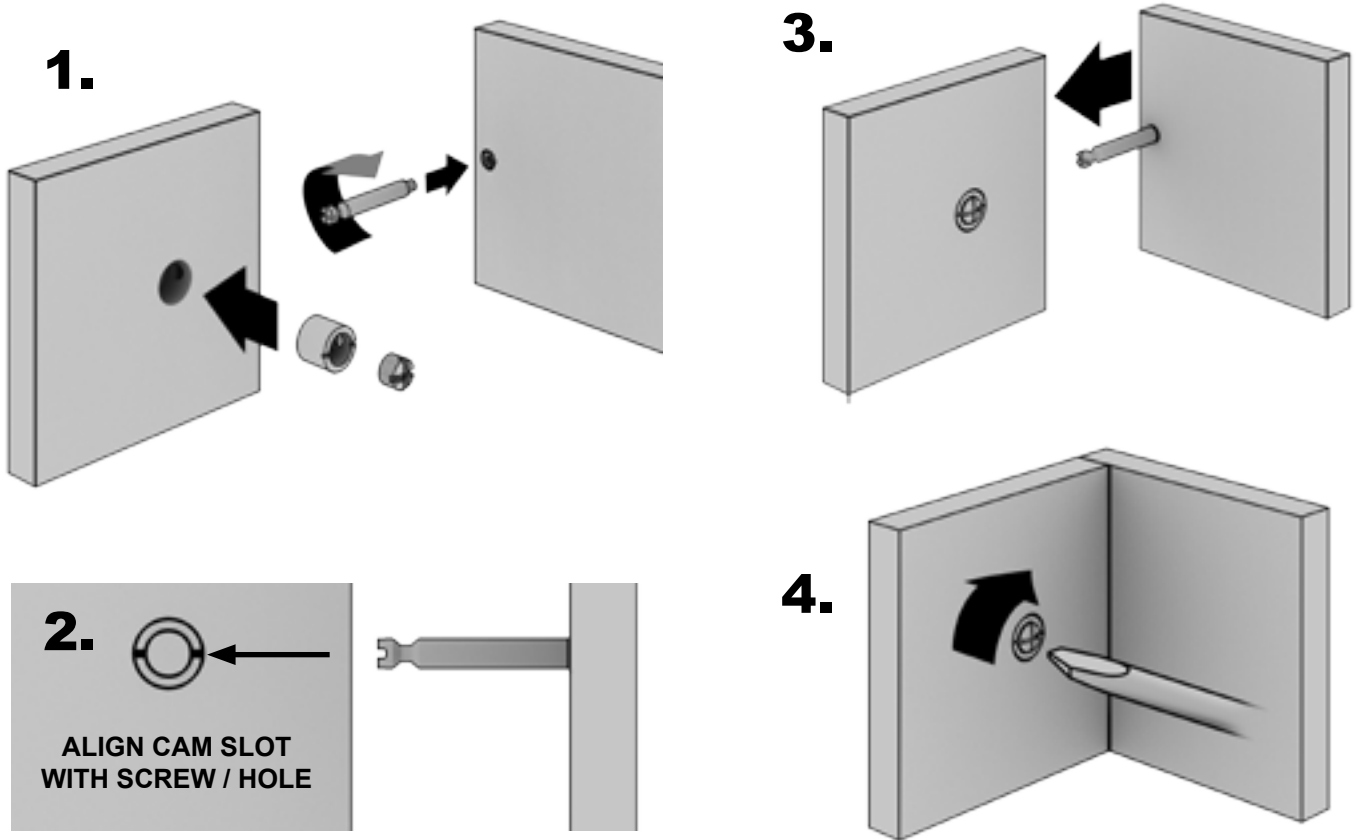
Using the Parts List below, check to make sure all parts are included. Instructions will reference Part Letters found in this list. In the event that parts are missing or damaged.

PLEASE CALL: 800-344-7005

#	DESCRIPTION	QTY	IMAGE	#	DESCRIPTION	QTY	IMAGE
aa	Screw (4.5 x 42mm)	8		gg	Pull	2	
bb	Wooden Dowel	4		hh	Screw (M5 x 25mm)	4	
cc	Cam	20		ii	Hinge	2	
dd	Metal Dowel	20		jj	Screw (3.5 x 12mm)	12	
				kk	Screw (4 x 15mm)	16	
ee	Caster With Brake	2		ll	Spring Washer	4	
ff	Caster With Out Brake	2		mm	Corner Support	8	
				nn	Screw	8	
				oo	Touch-up Paint	1	

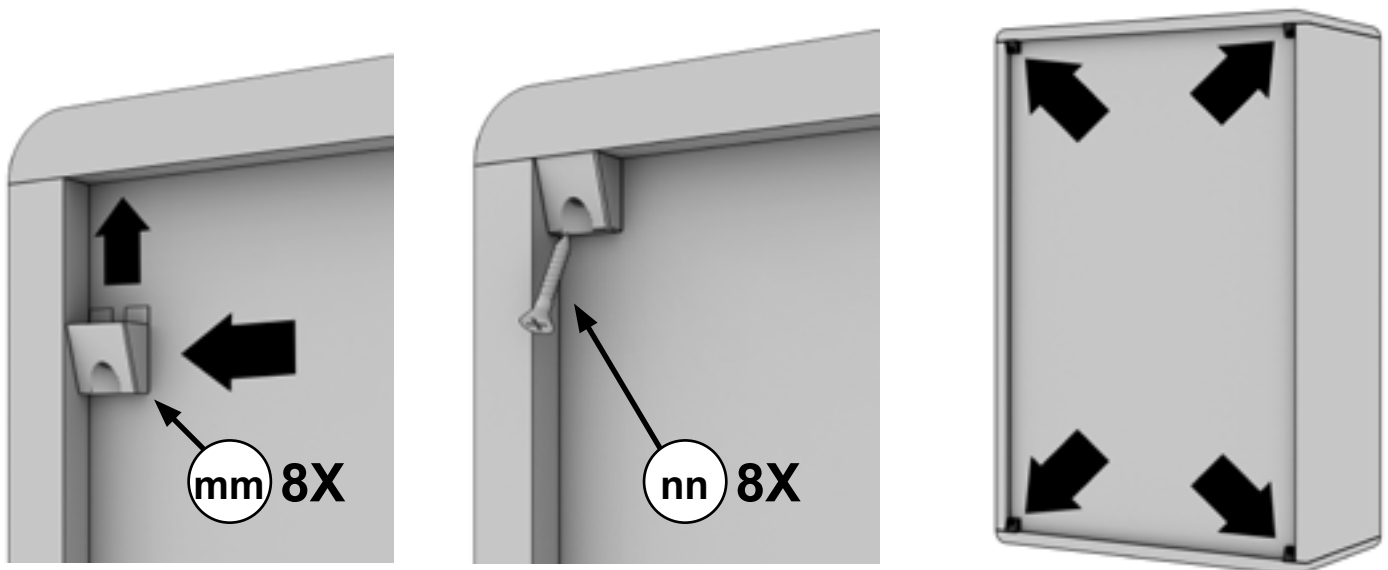
BEFORE YOU BEGIN

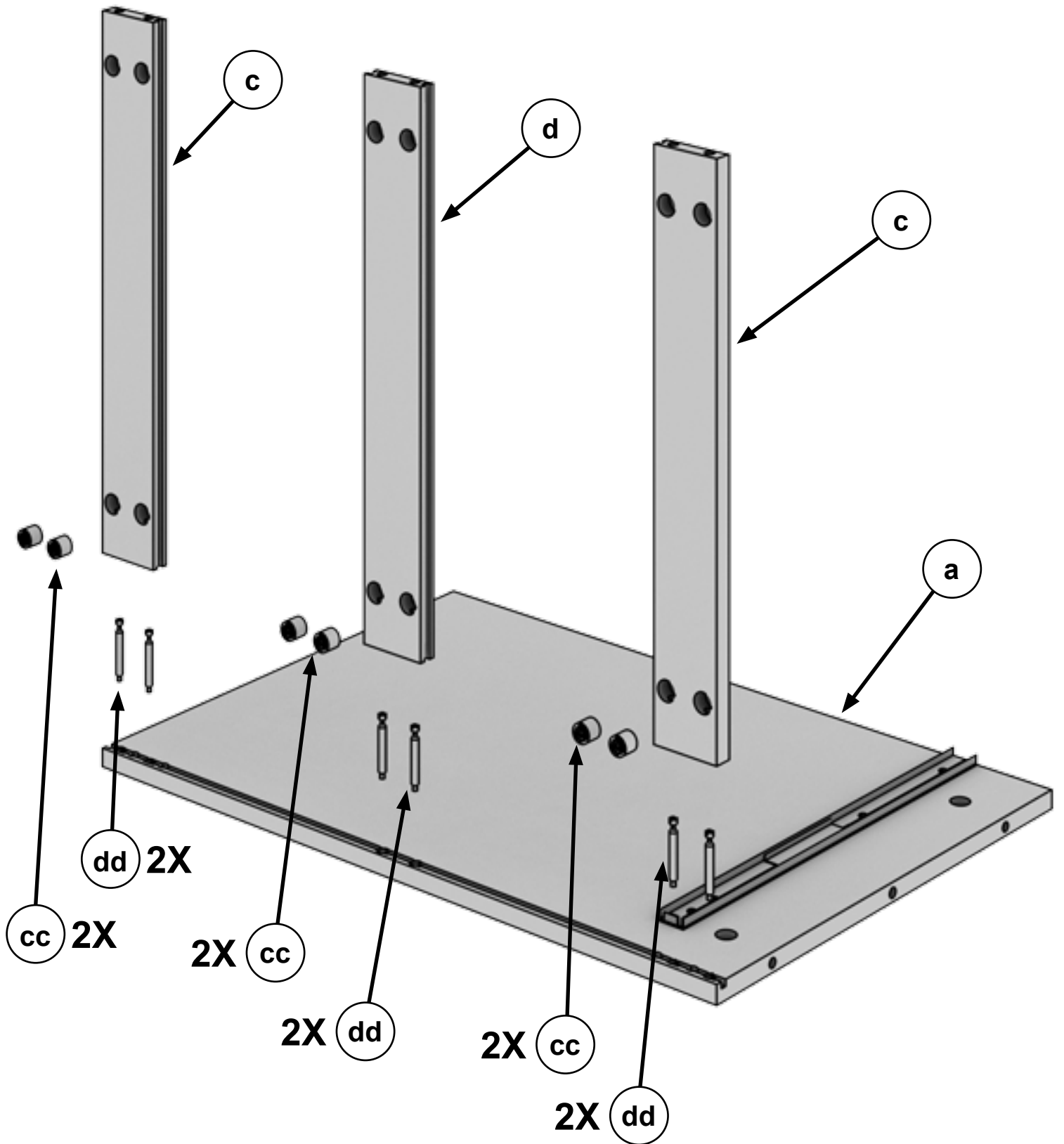
CAM STYLE FASTENERS ARE USED THROUGHOUT THE ASSEMBLY OF THIS CABINET. ASSEMBLE ALL CAMS AS SHOWN BELOW.



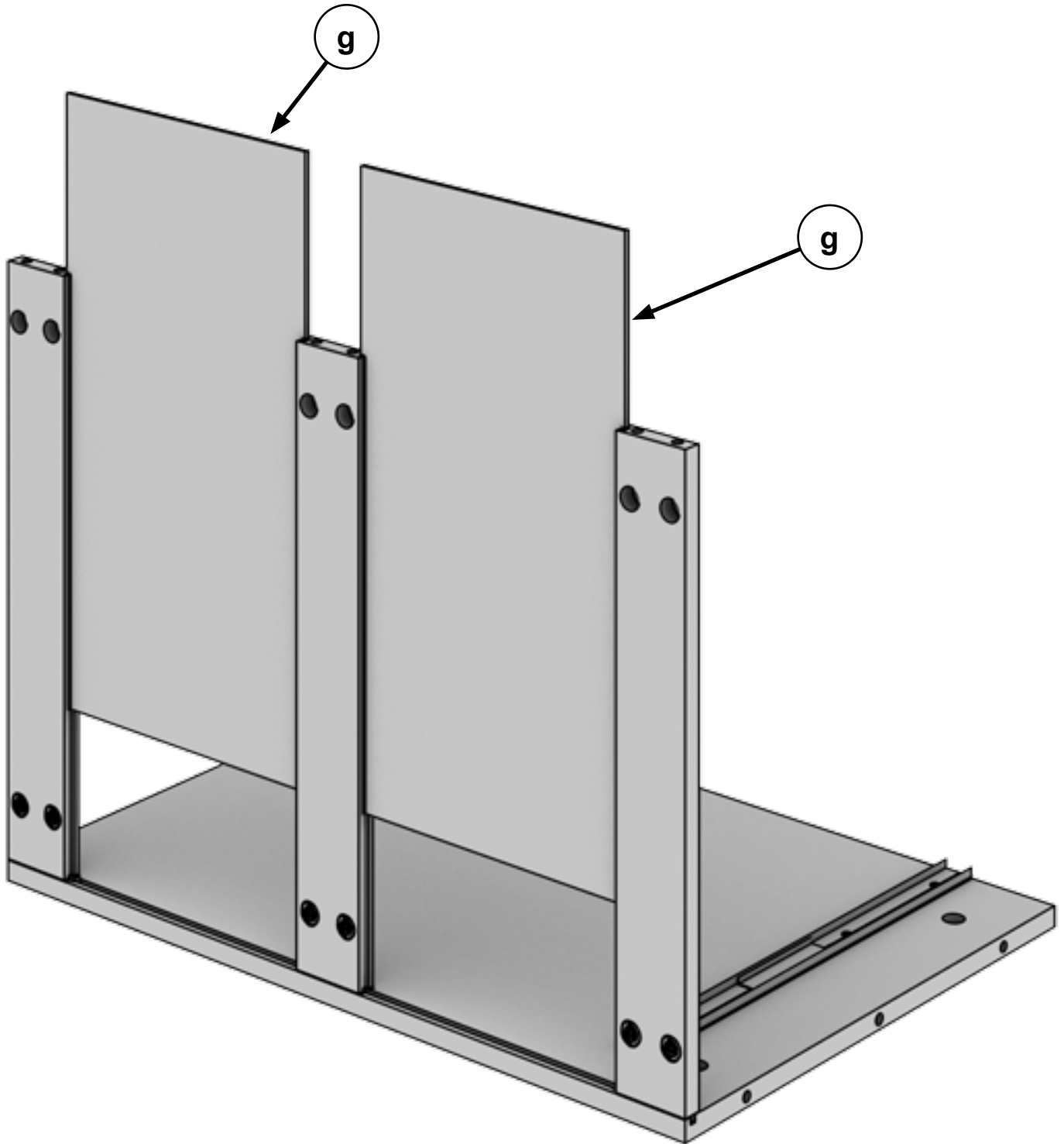
WHEN YOU FINISH

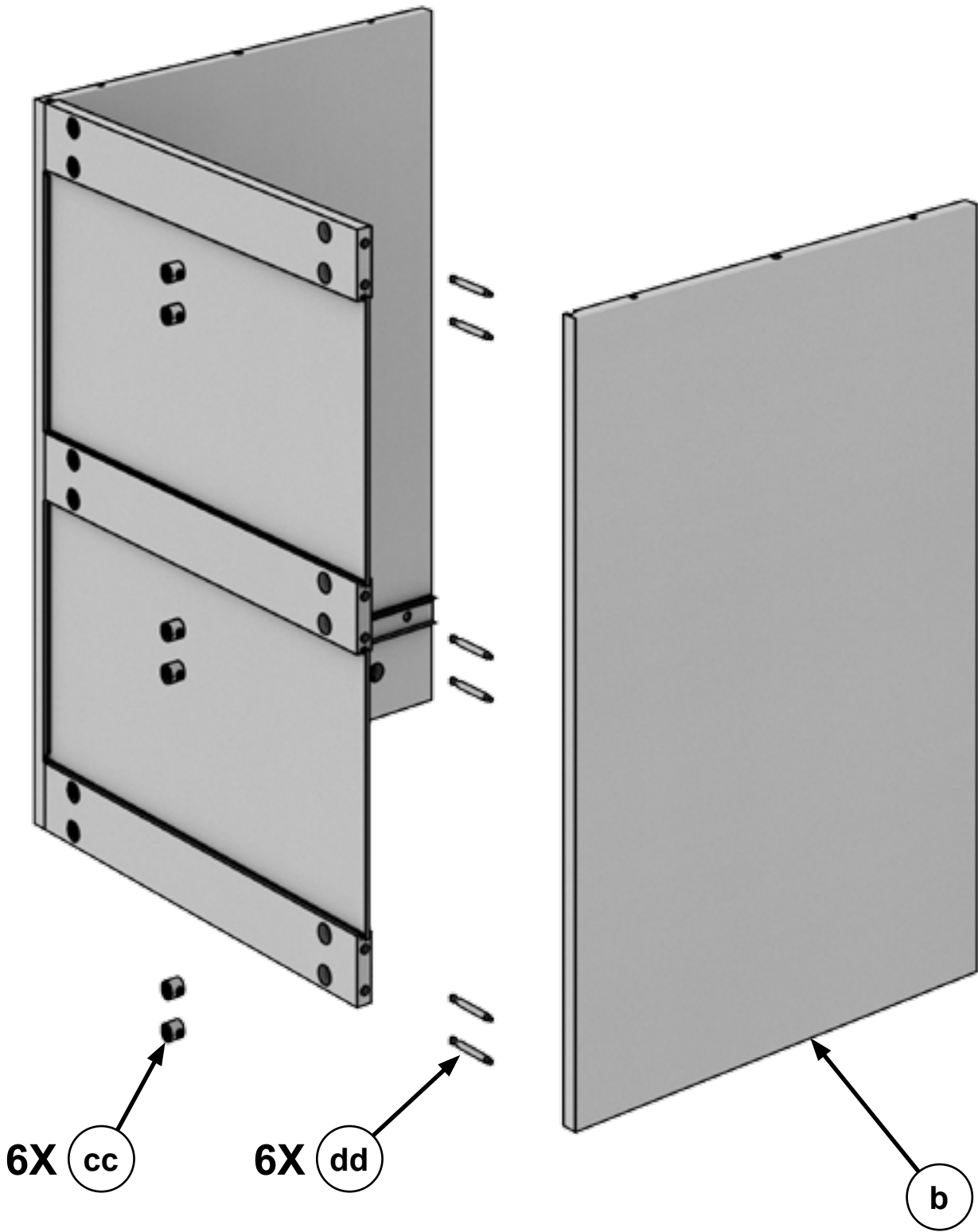
ADDING CORNER SUPPORTS TO THE BACK WILL GREATLY INCREASE THE STRENGTH OF YOUR CABINET.



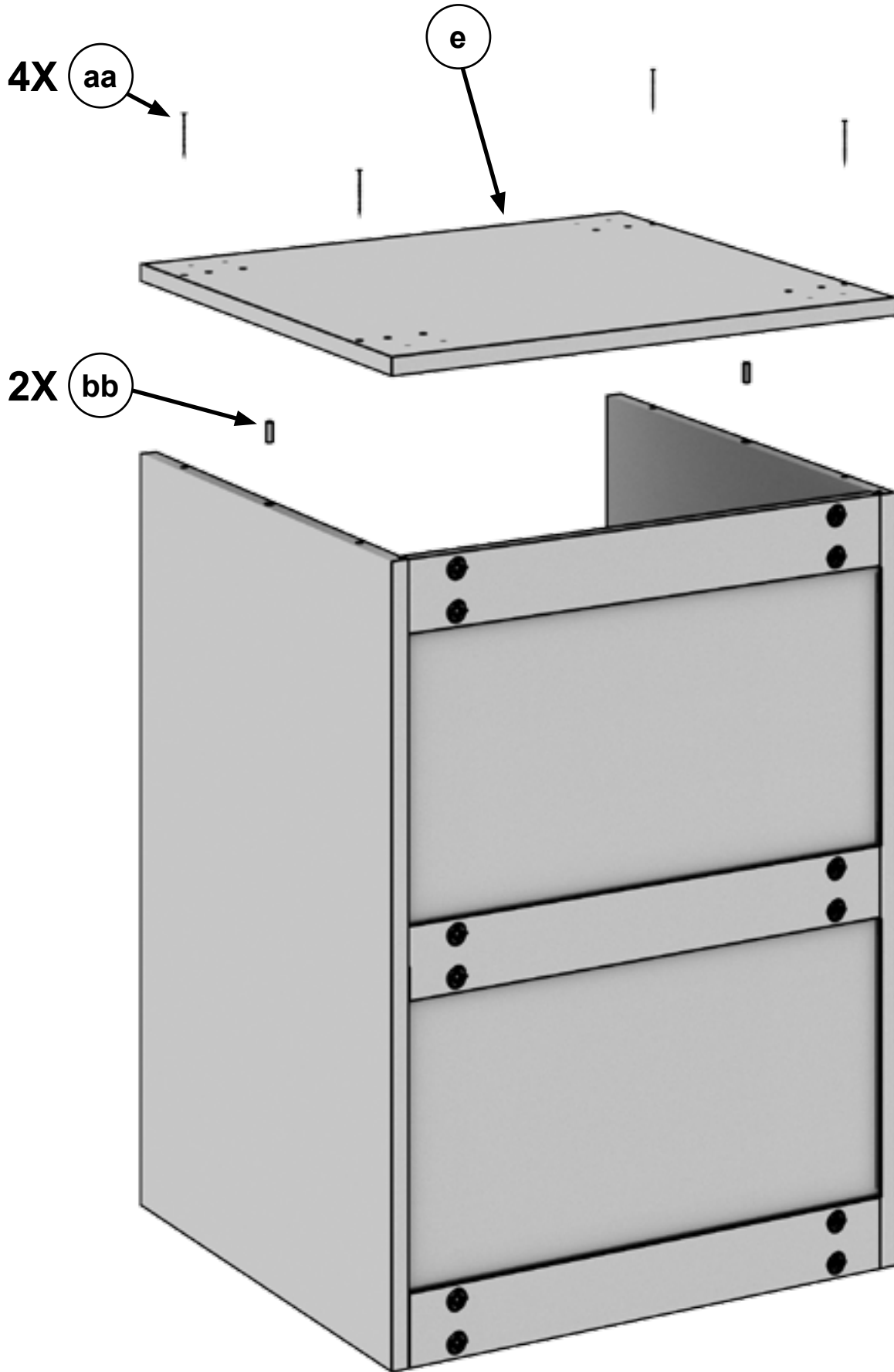


STEP 2

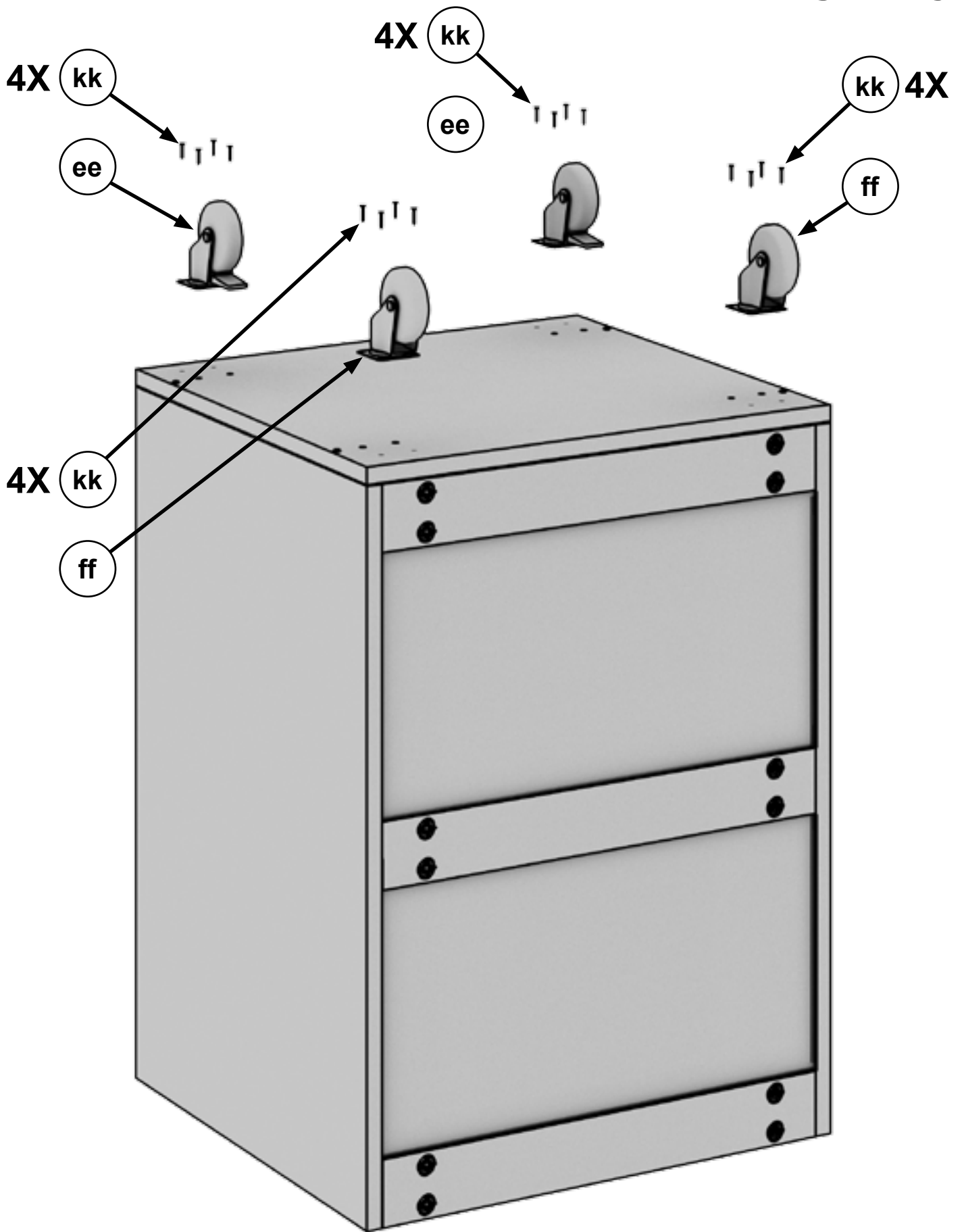




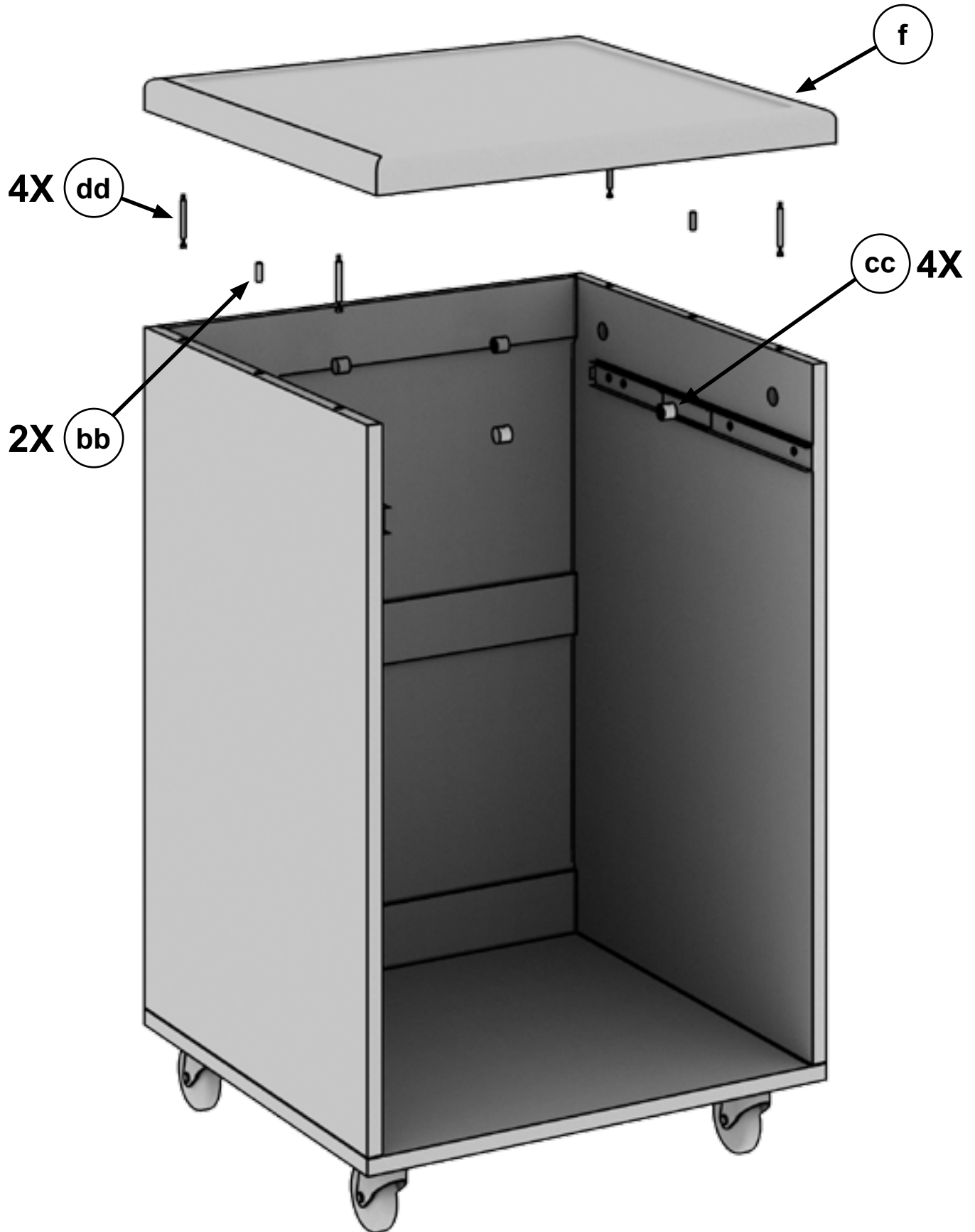
STEP 4

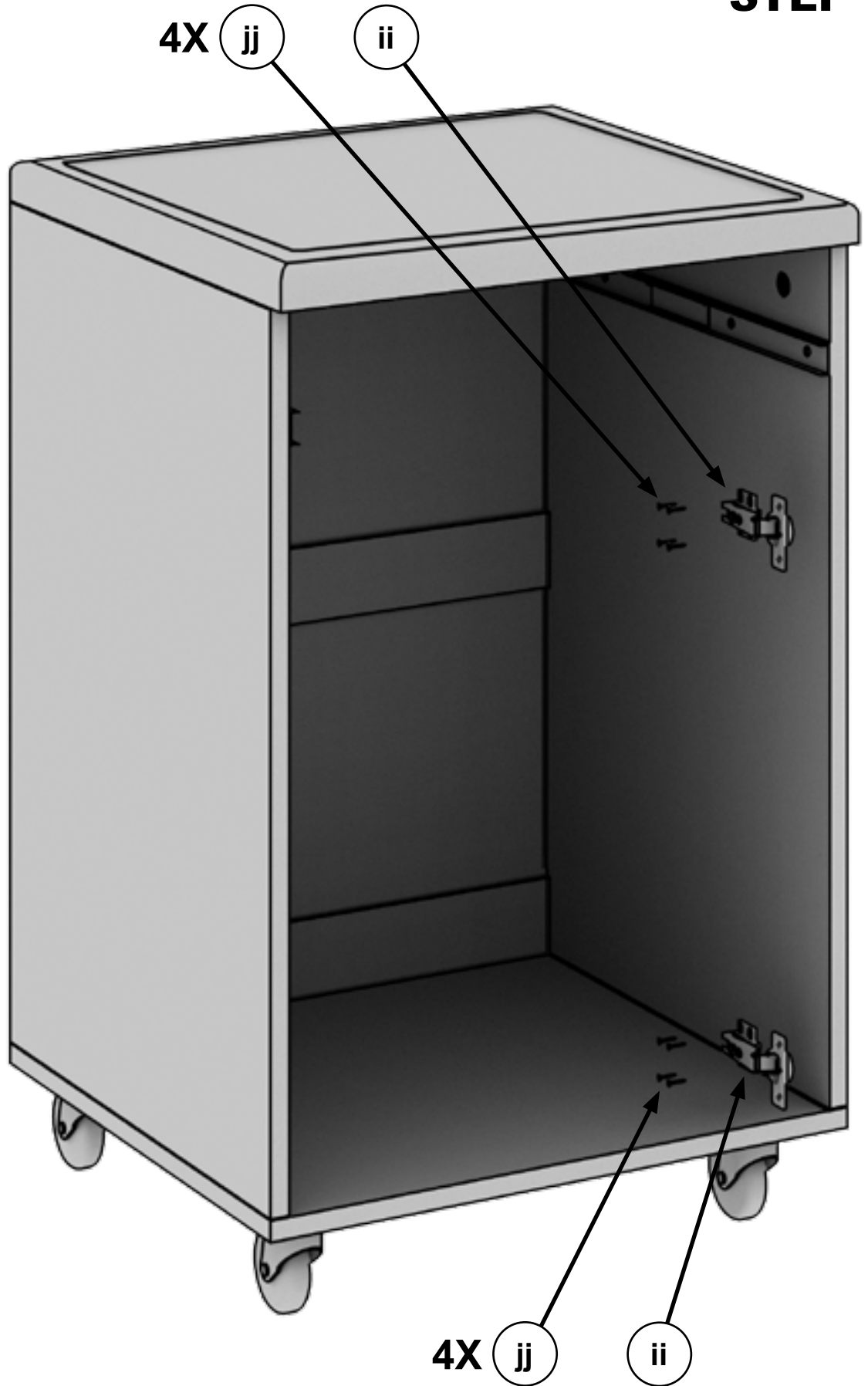


STEP 5

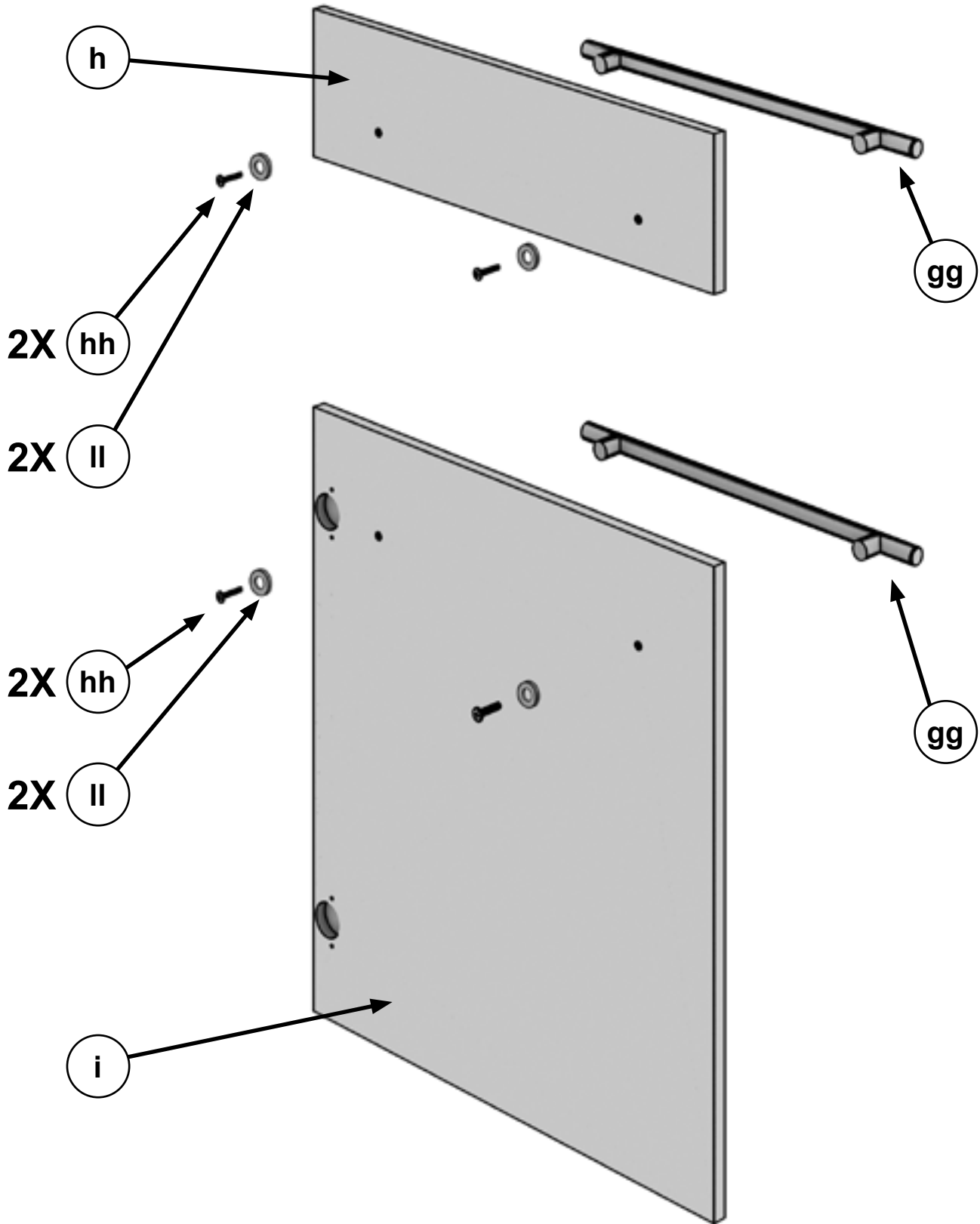


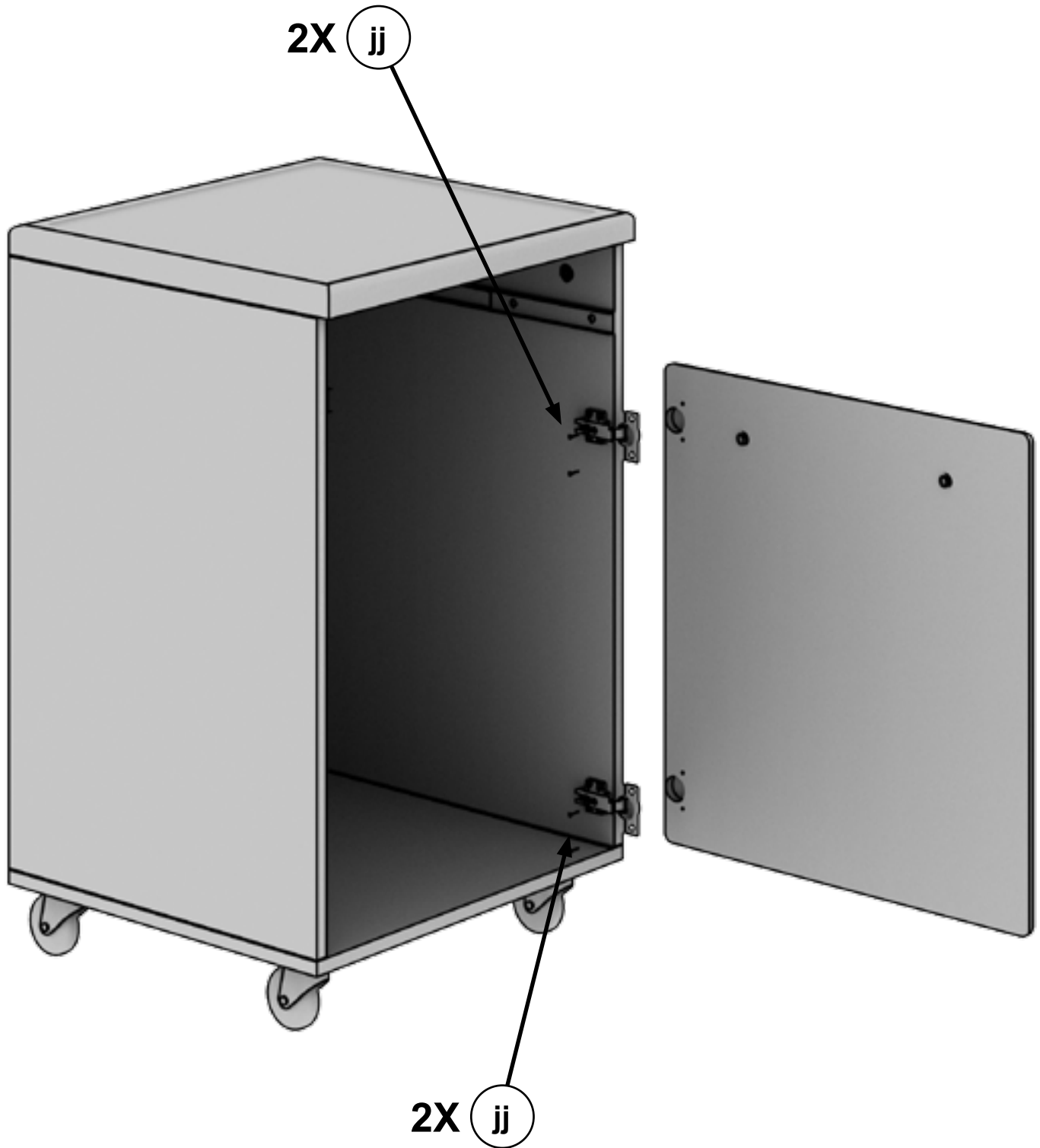
STEP 6



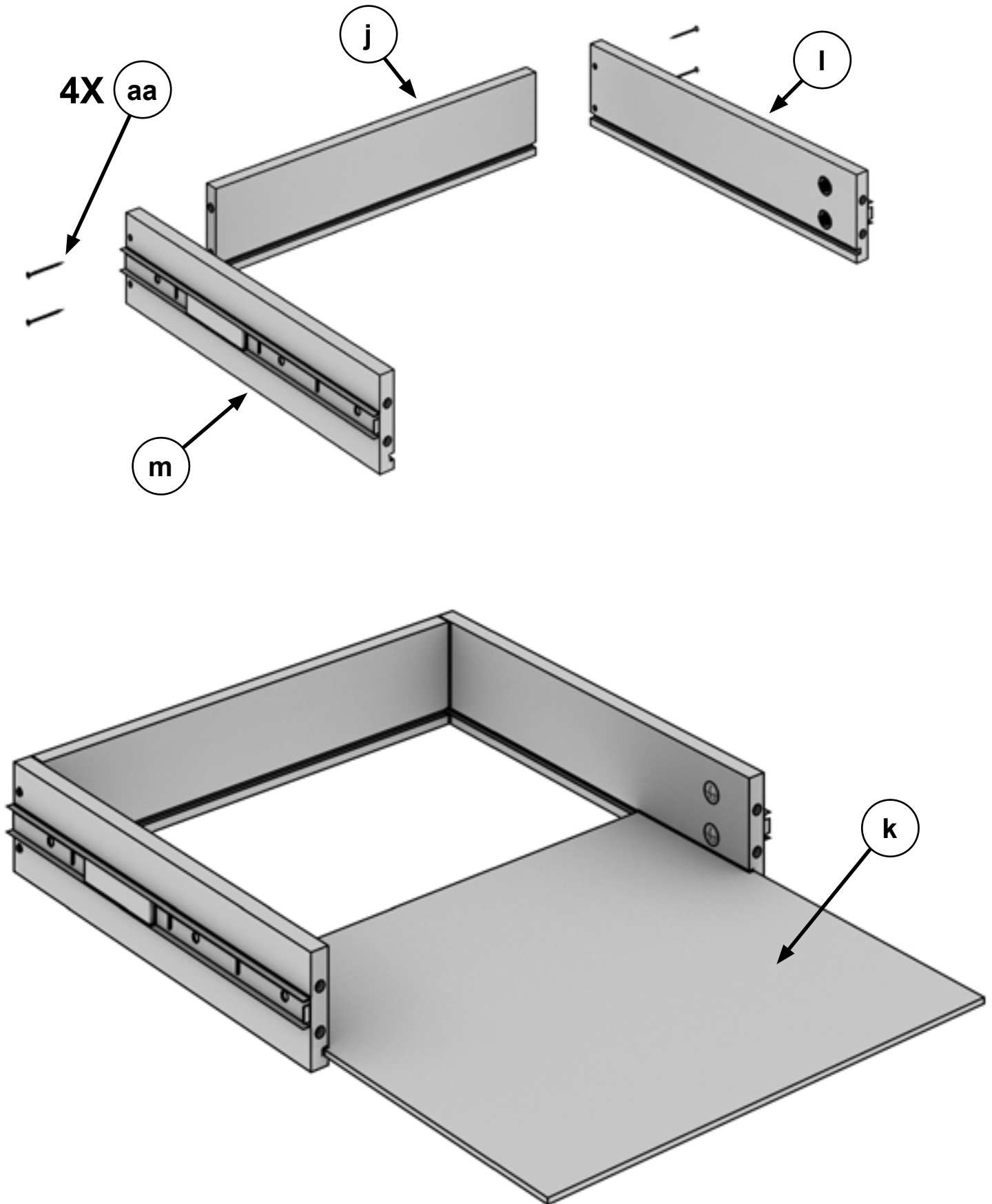


STEP 8

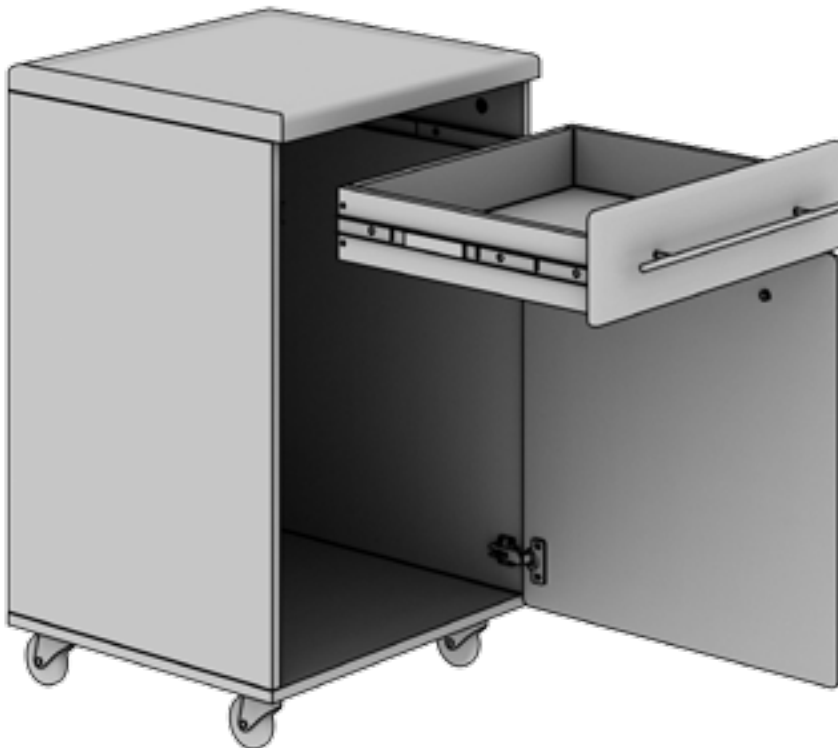
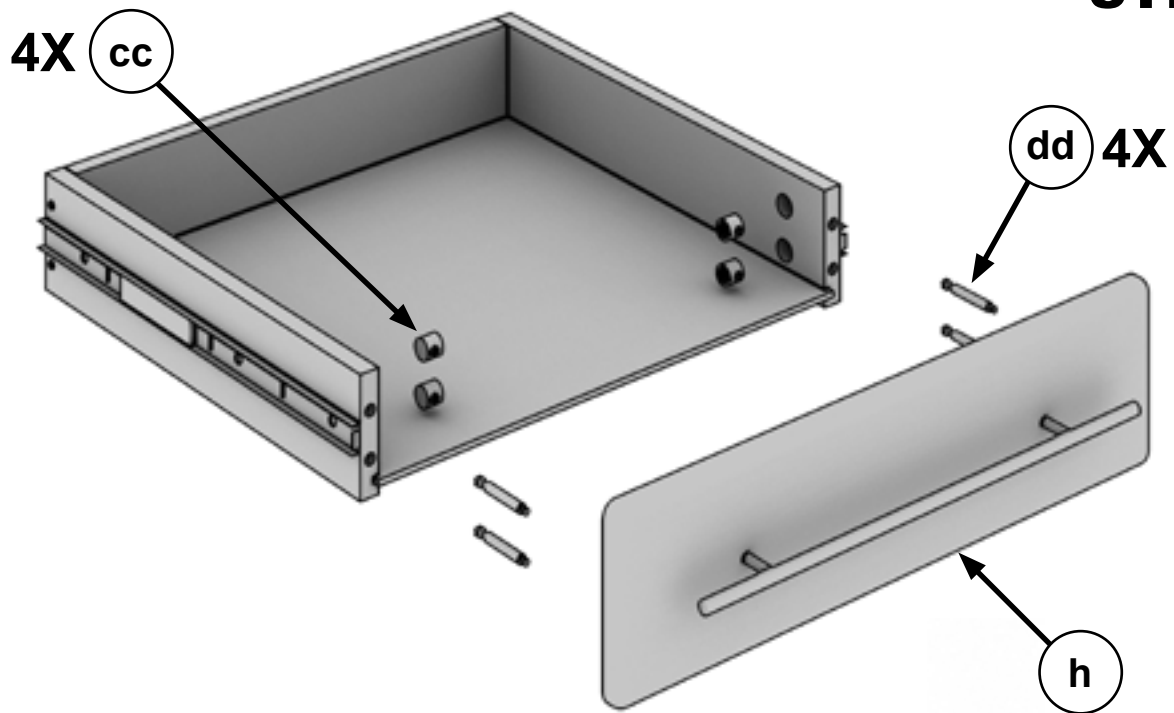




STEP 10



STEP 11



NOTE: Hold drawer at 45° angle and rotate gently into drawer glide.