

Ulti MATE



LARGE (36") HANGING WALL CABINET Model Number # GA-08

Heavy Duty, Three Door, Three Shelf, Wall Hanging Cabinet

PLEASE DO NOT TAKE THIS PRODUCT BACK TO THE STORE!

Most likely, stores do not stock spare parts and cannot help. In the event that parts are missing.

PLEASE CALL: 800-344-7005

ASSEMBLY INSTRUCTIONS

PARTS LIST

Ulti MATE

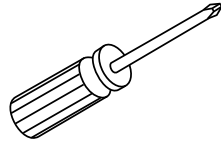


WALL CABINET MODEL #GA-08

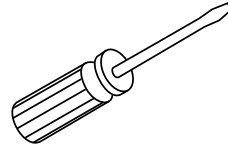
Using the Parts List below, check to make sure all parts are included. Instructions will reference Part Letters found in this list. In the event that parts are missing or damaged.

PLEASE CALL: 800-344-7005

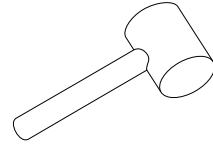
TOOLS NEEDED FOR ASSEMBLY



Phillips Screw Driver



Flat Screw Driver



Rubber Mallet

#	DESCRIPTION	QTY	IMAGE	#	DESCRIPTION	QTY	IMAGE
a	Side Panel (LEFT)	1		h	Top Panel	1	
b	Center Panel (LEFT)	1		i	Cabinet Back Panel	1	
c	Shelf (FIXED)	2		j	Door (LEFT SWING)	2	
d	Hanging Cleat (CABINET)	1		k	Door (RIGHT SWING)	1	
e	Center Panel (RIGHT)	1		l	Shelf (ADJUSTABLE)	1	
f	Side Panel (RIGHT)	1		m	Hanging Cleat (WALL)	1	
g	Bottom Panel	1					

PARTS LIST Uti MATE



WALL CABINET MODEL #GA-08

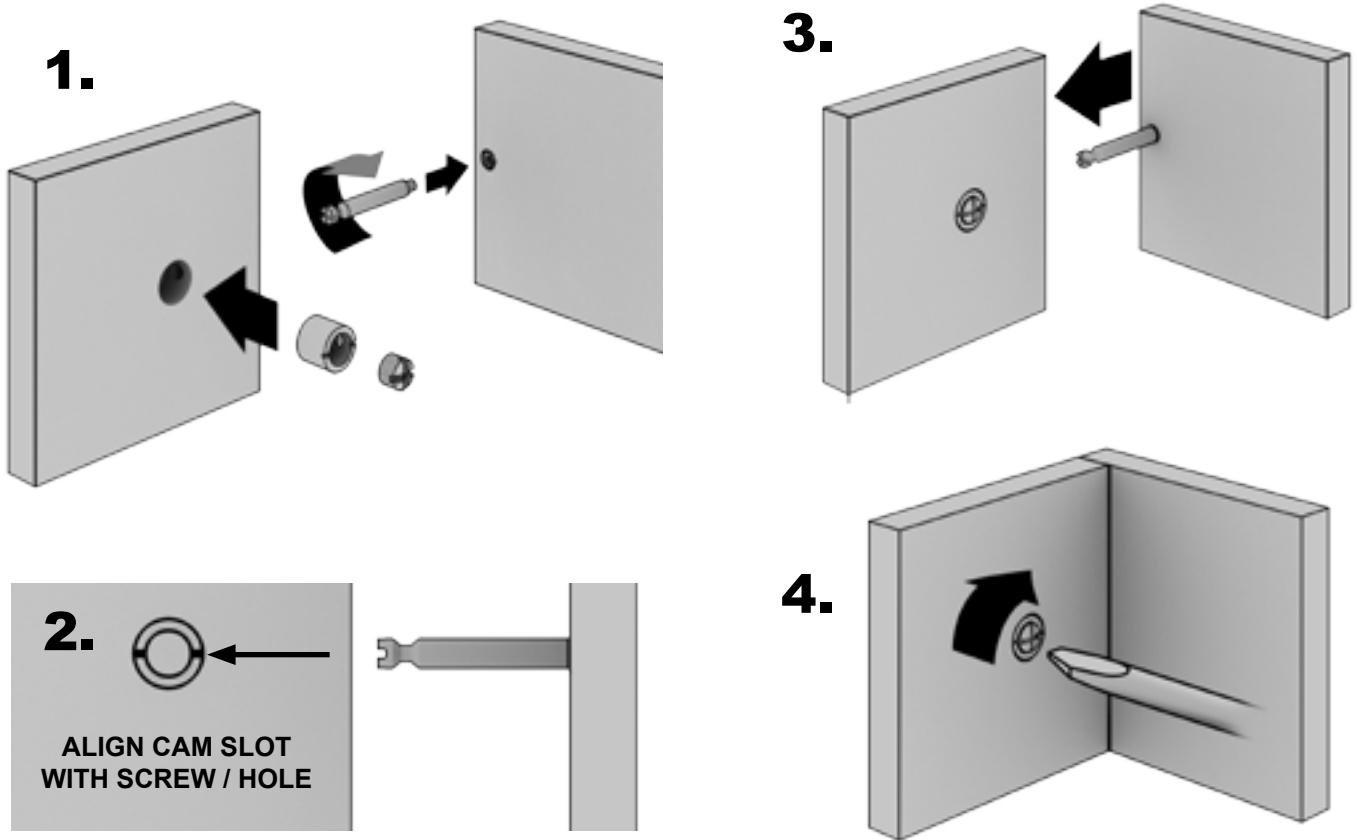
Using the Parts List below, check to make sure all parts are included. Instructions will reference Part Letters found in this list. In the event that parts are missing or damaged.

PLEASE CALL: 800-344-7005

#	DESCRIPTION	QTY	IMAGE	#	DESCRIPTION	QTY	IMAGE
aa	Screw (4.5 x 42mm)	23		gg	Screw (M5 x 25mm)	6	
bb	Wooden Dowel	8		hh	Hinge	6	
cc	Cam	12		ii	Shelf Pin	4	
dd	Metal Dowel	12		jj	Wall Anchor	6	
ee	Screw (3.5 x 12mm)	36		kk	Spring Washer	6	
				ll	Corner Support	2	
ff	Pull	3		mm	Screw	2	
				nn	Touch-up Paint	1	

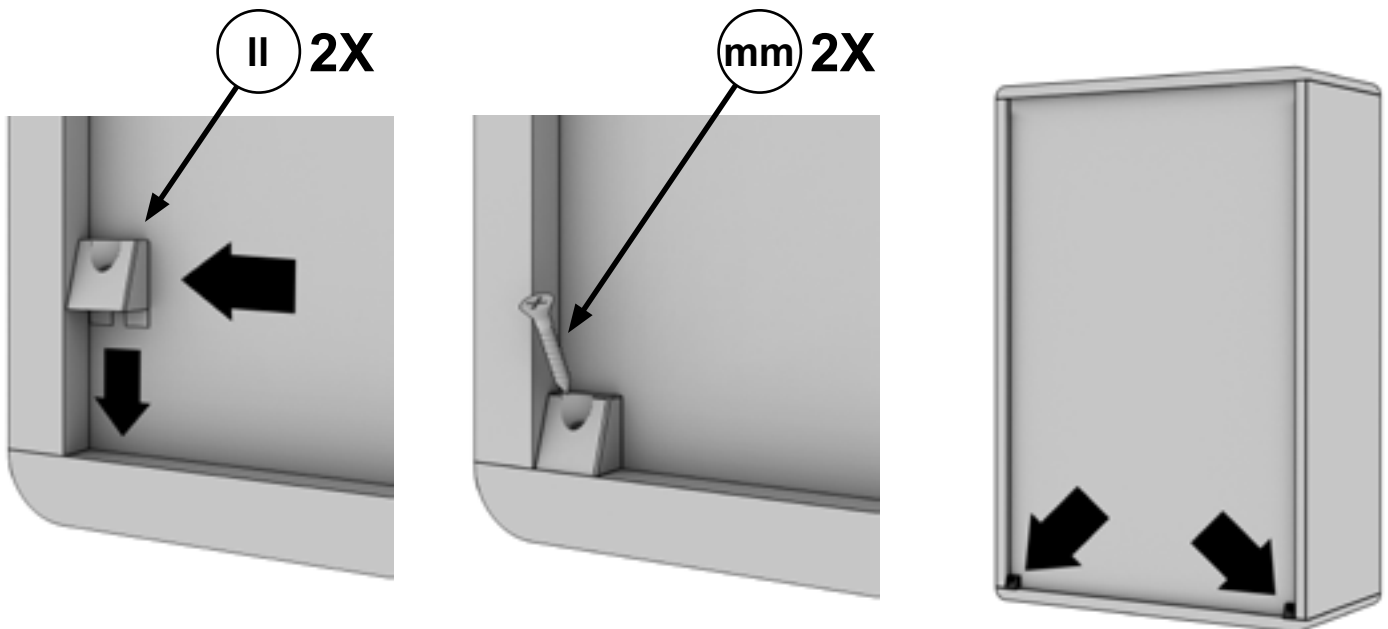
BEFORE YOU BEGIN

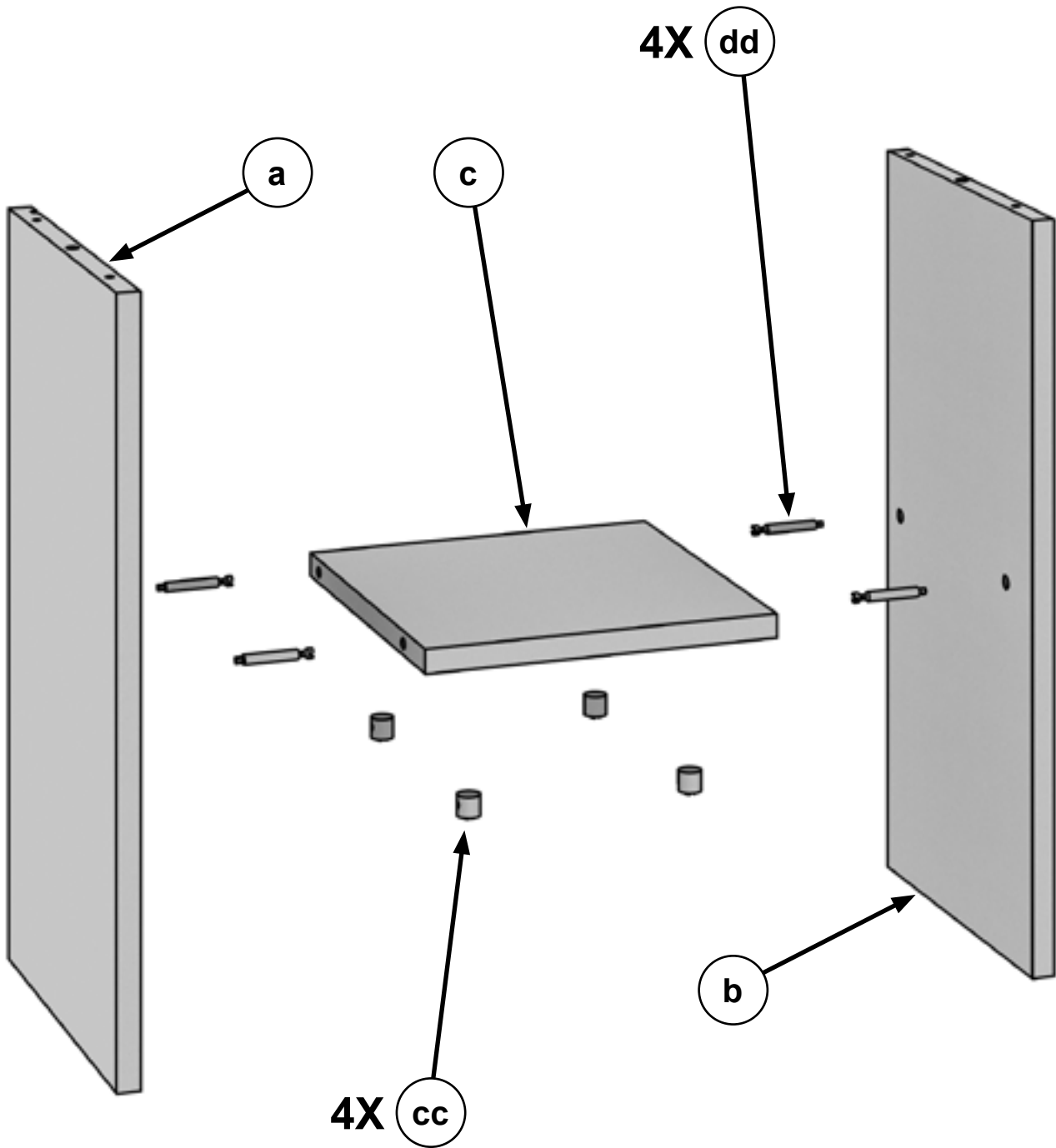
CAM STYLE FASTENERS ARE USED THROUGHOUT THE ASSEMBLY OF THIS CABINET. ASSEMBLE ALL CAMS AS SHOWN BELOW.



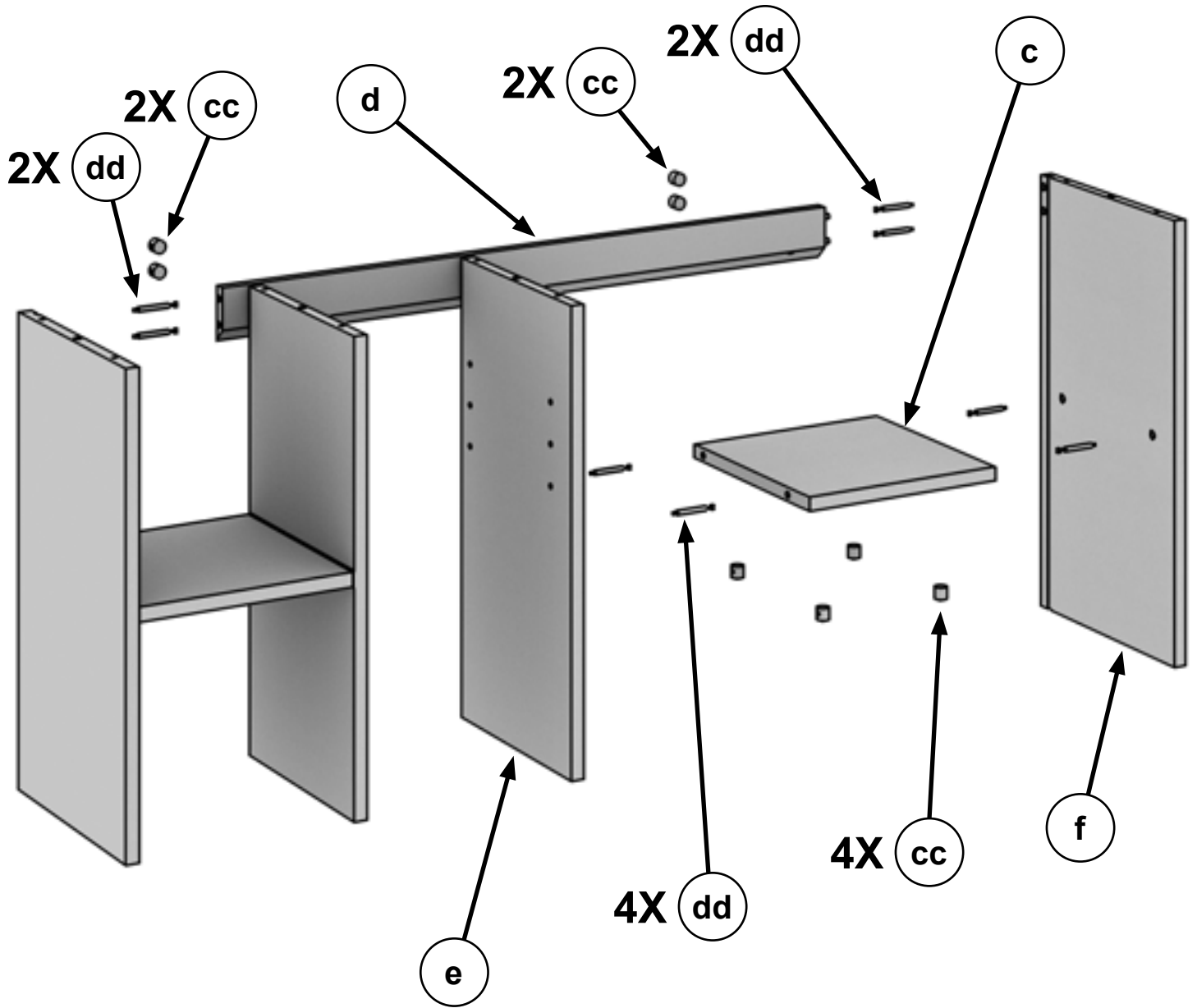
WHEN YOU FINISH

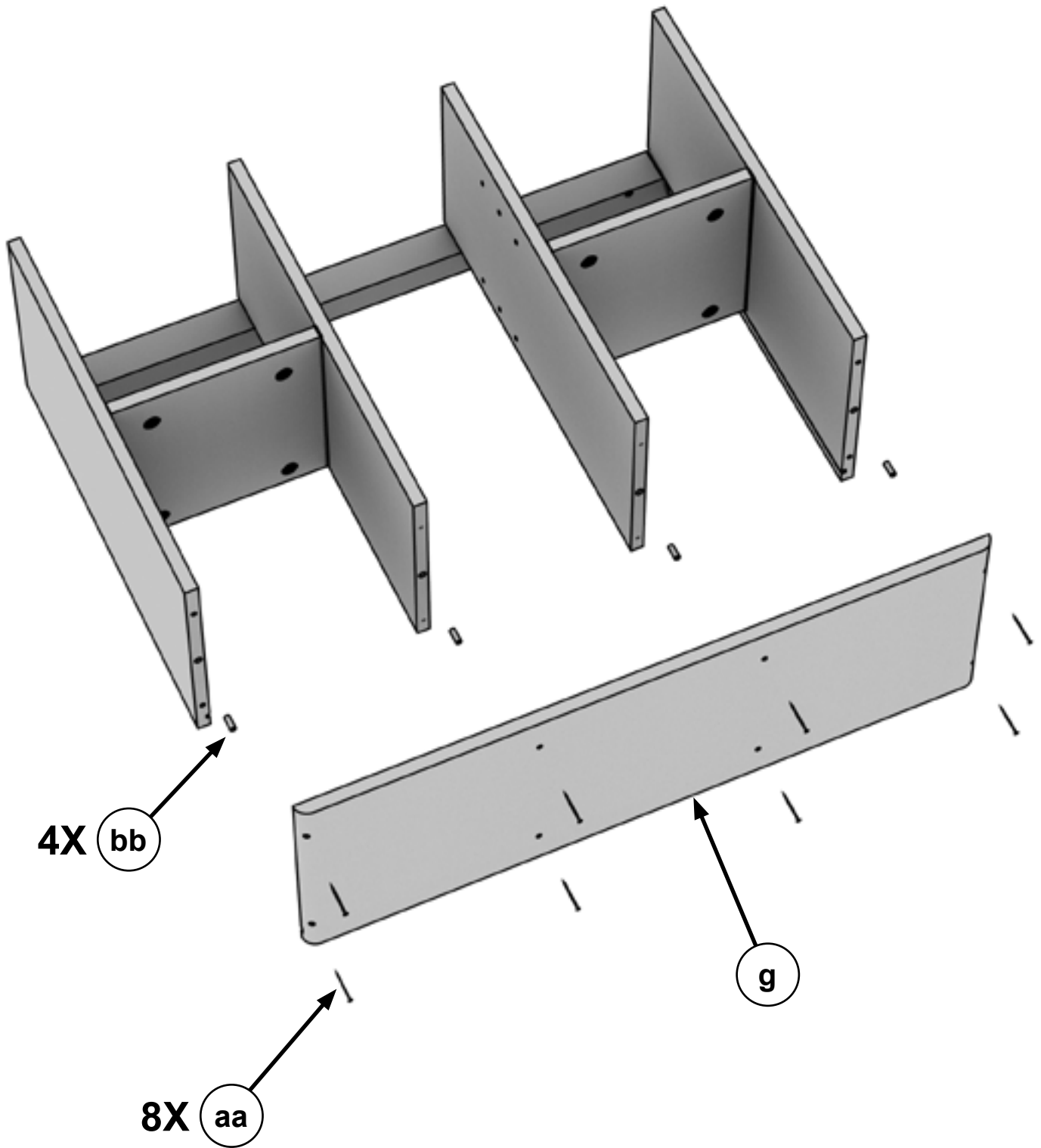
ADDING CORNER SUPPORTS TO THE BACK WILL GREATLY INCREASE THE STRENGTH OF YOUR CABINET.



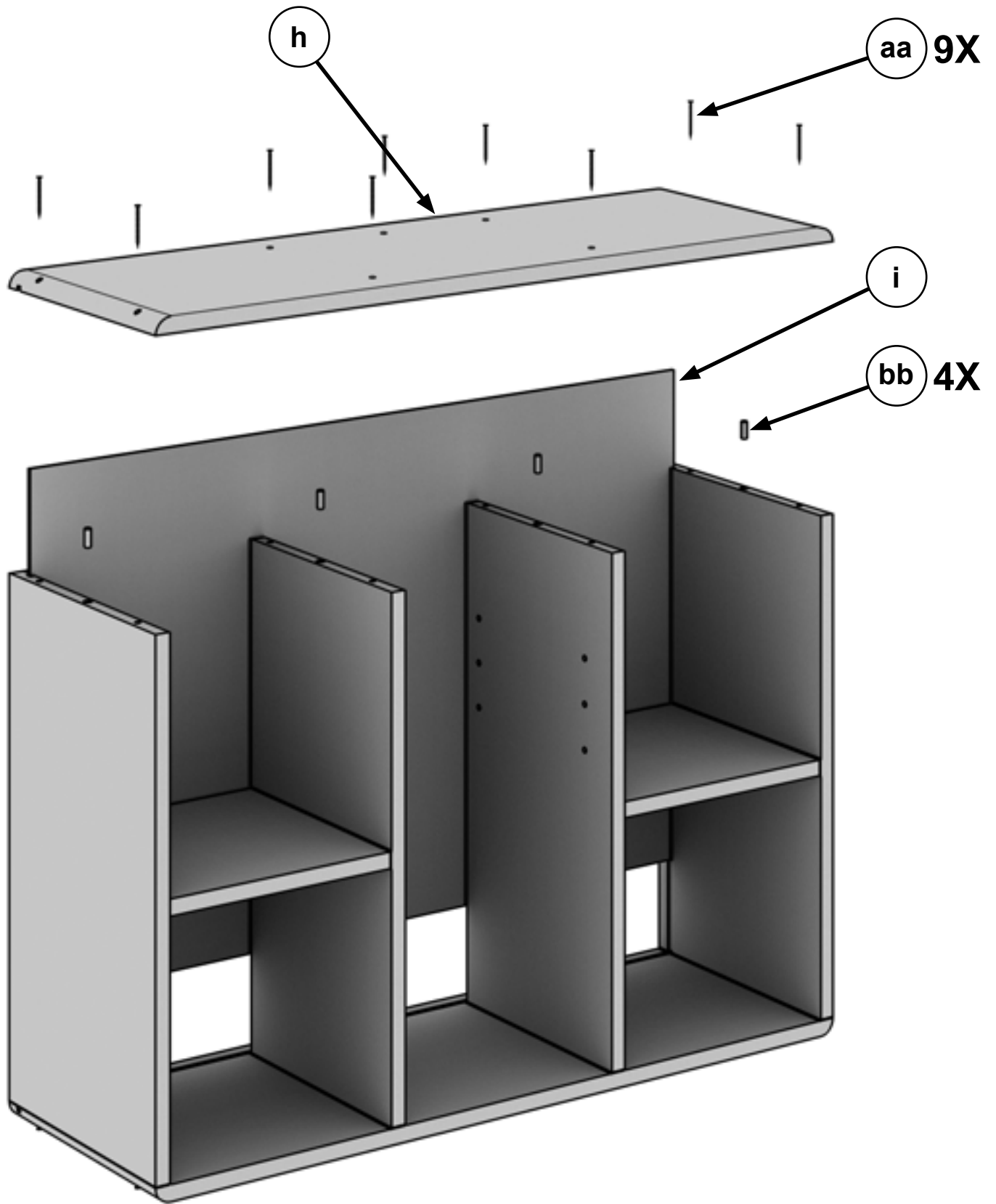


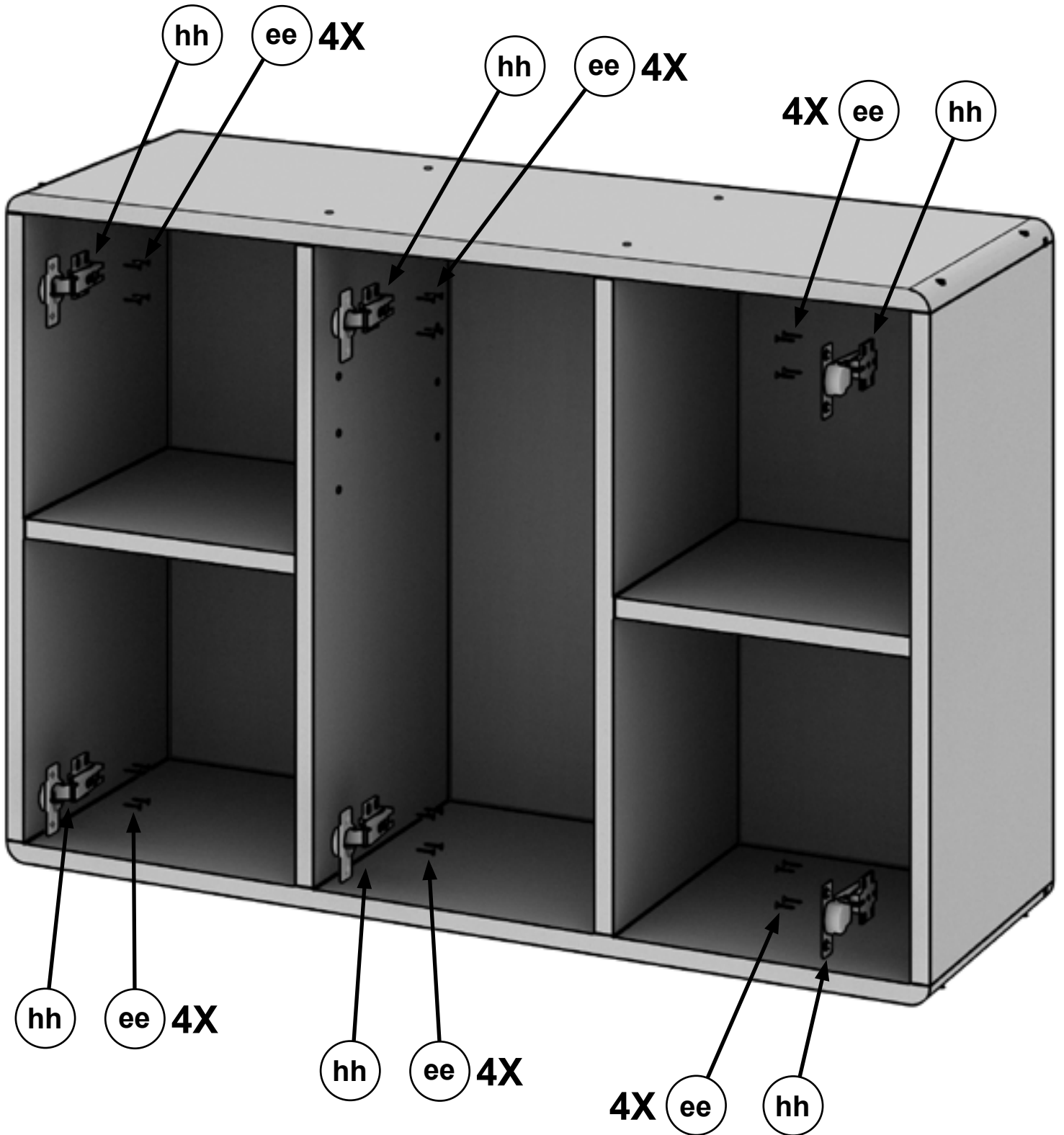
STEP 2



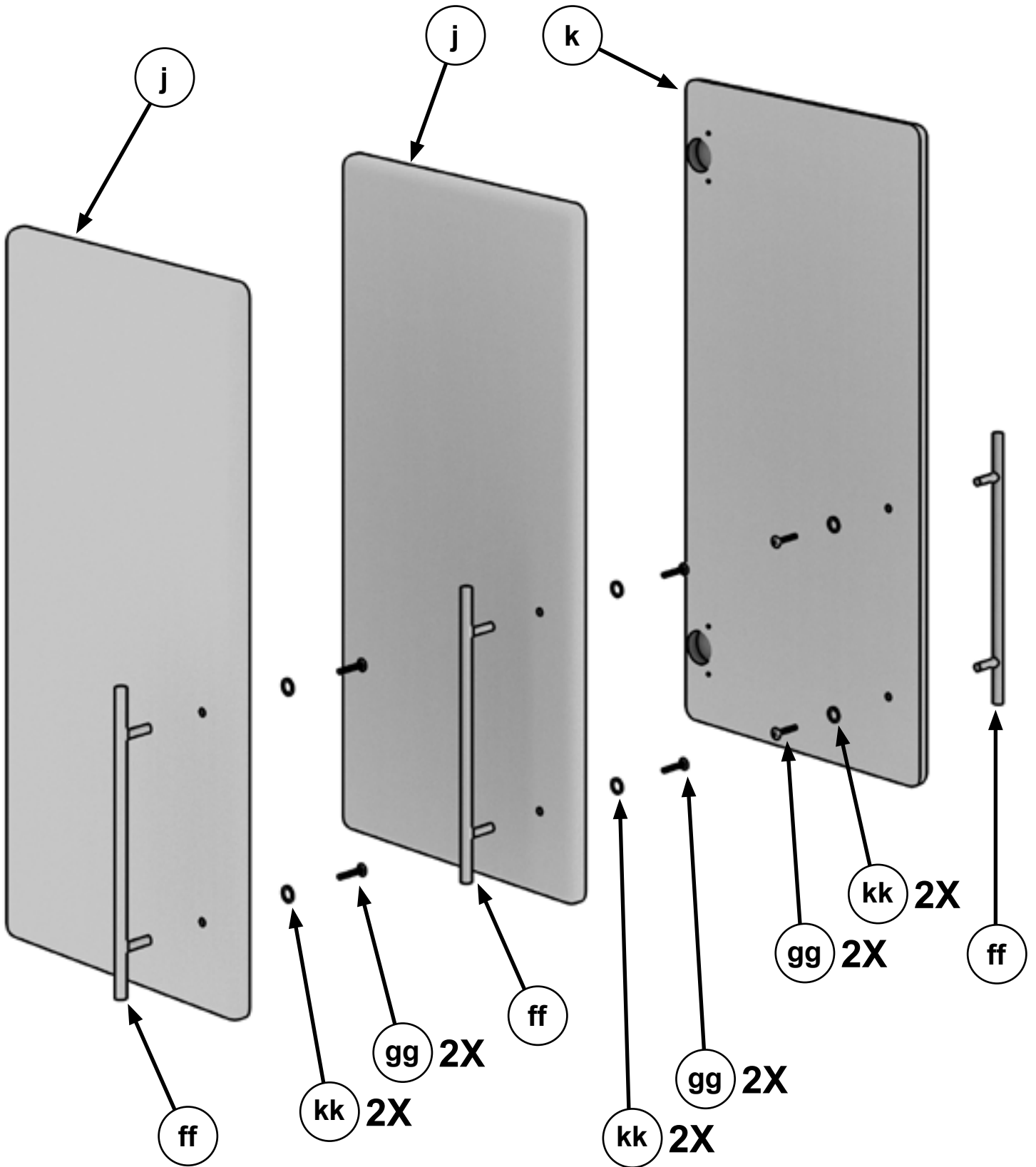


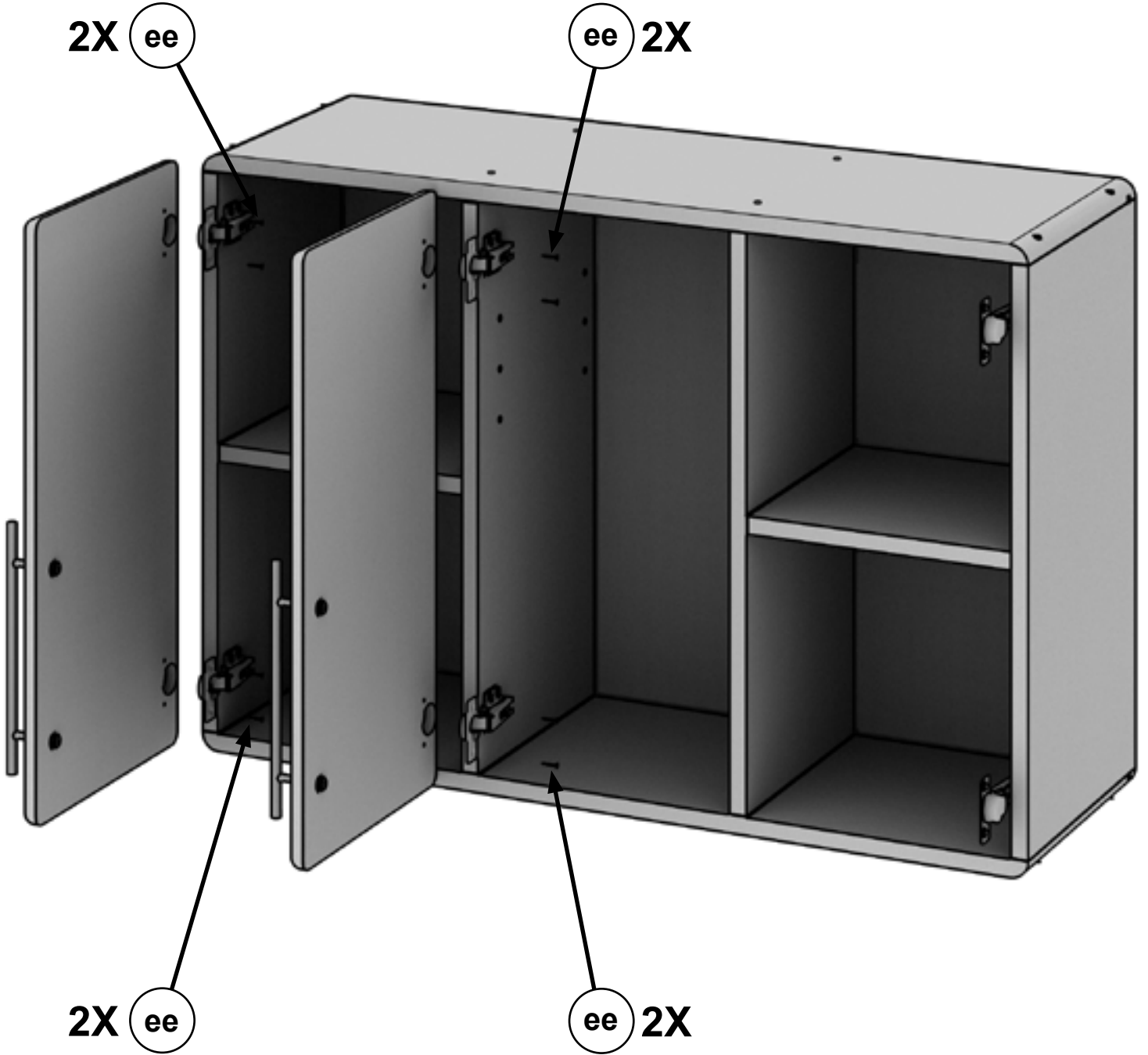
STEP 4



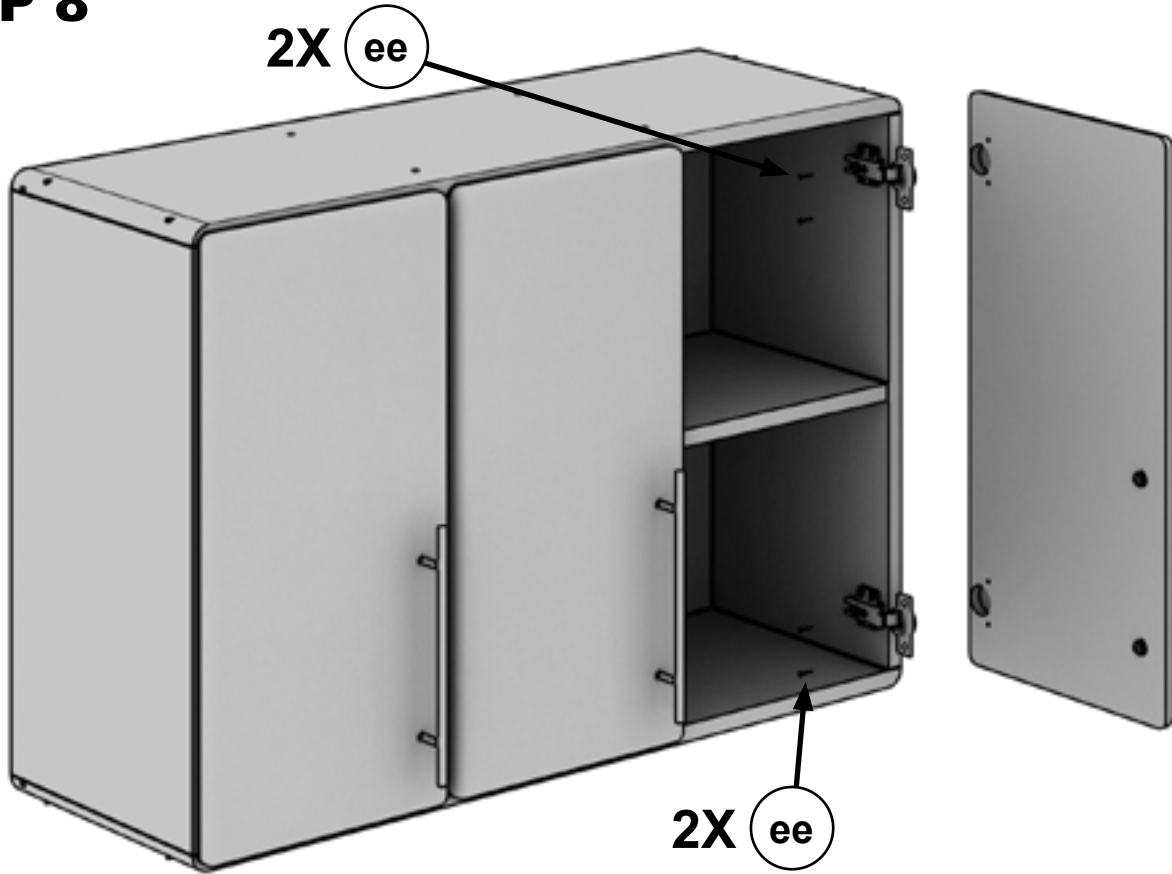


STEP 6

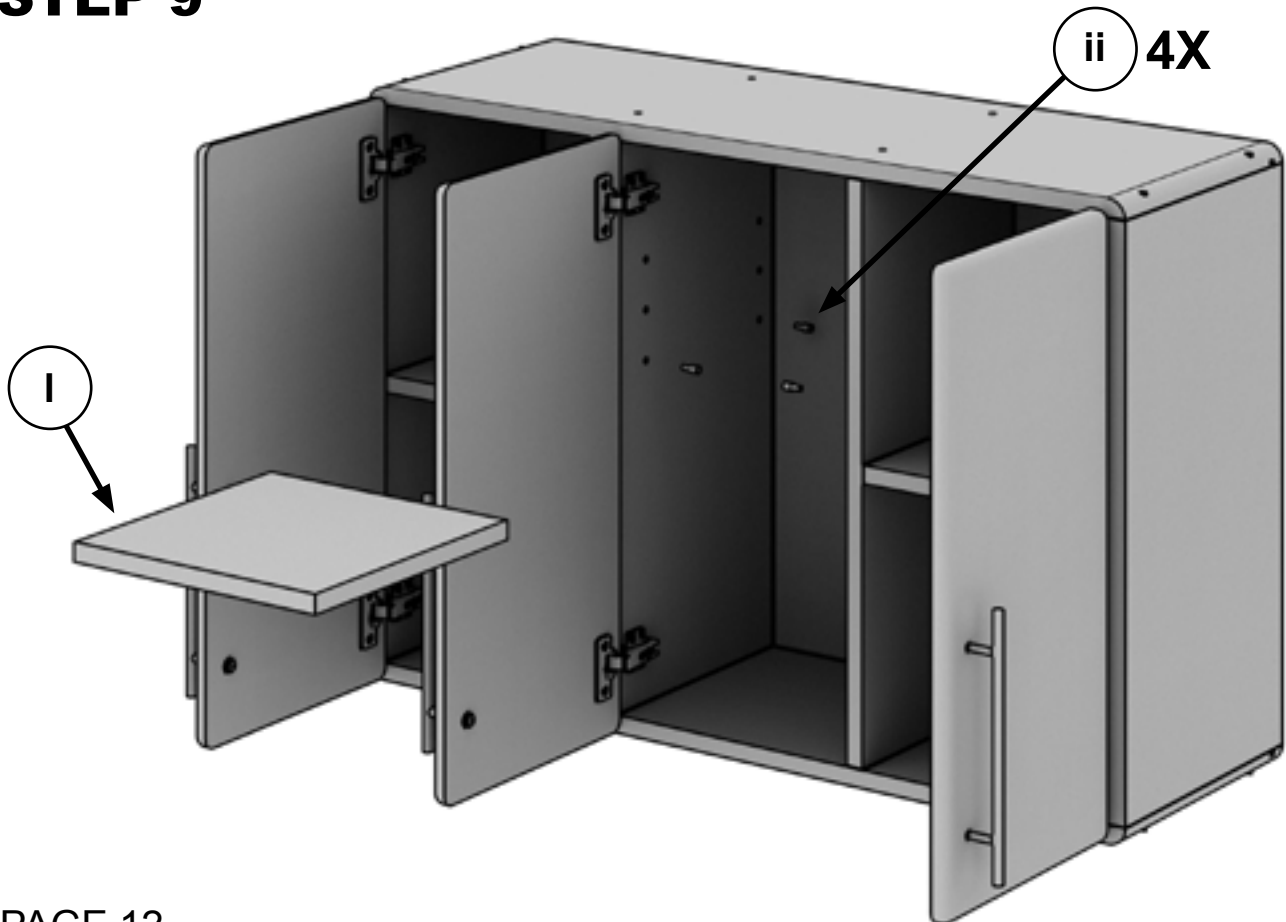




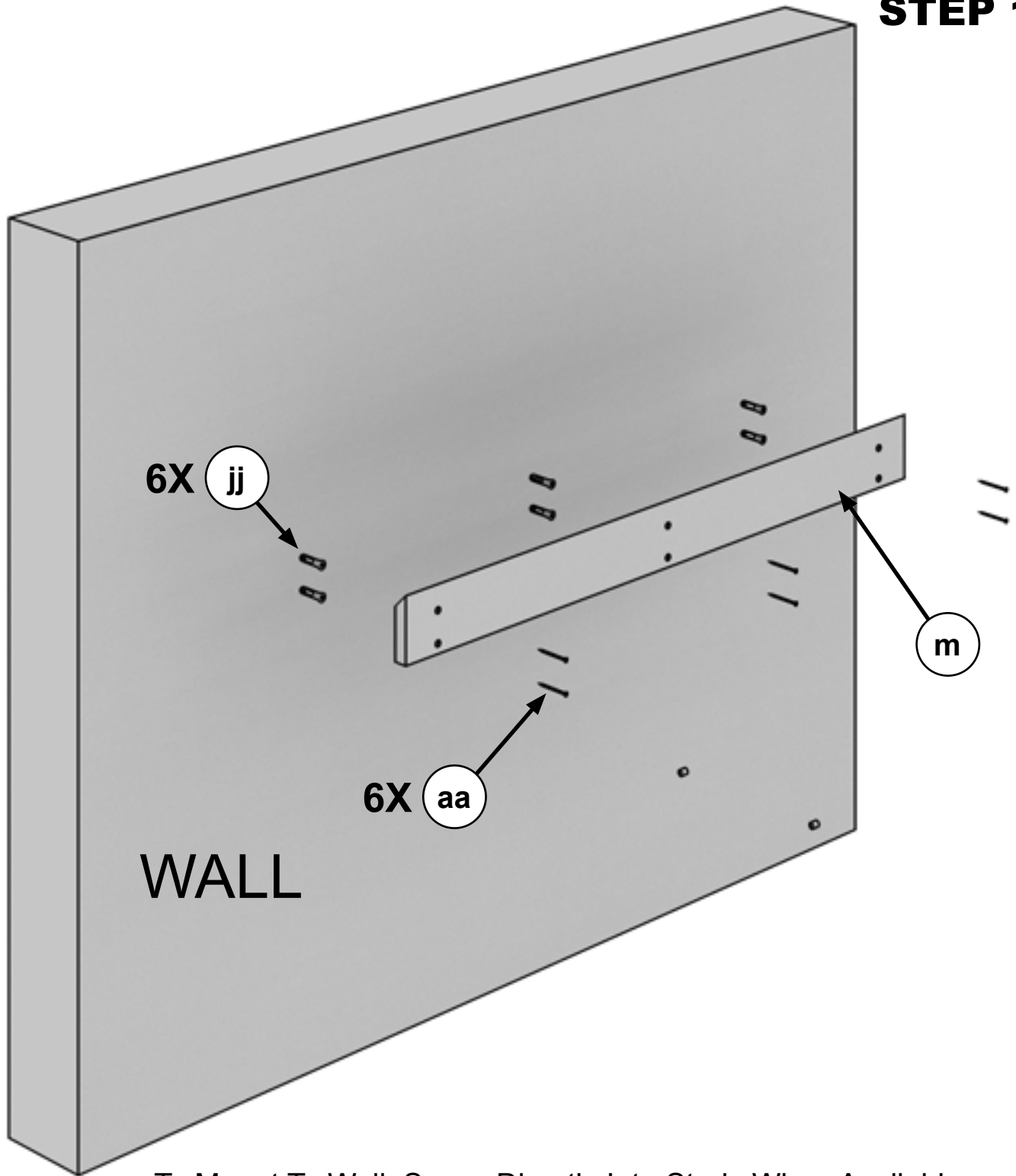
STEP 8



STEP 9



STEP 10



To Mount To Wall, Screw Directly Into Studs When Available.
Use Supplied Wall Anchors When Studs Are Not Available.

Weight Rating Is 150 Pounds For A Single Cabinet.
DO NOT EXCEED 150 POUNDS.

STEP 11

