

Ulti MATE



LARGE STORAGE UNIT

Model Number # GA-06

**Heavy Duty, 2 Door, 3 Shelf
Storage Tower**

**PLEASE DO NOT TAKE THIS
PRODUCT BACK TO THE STORE!**

Most likely, stores do not stock spare parts and cannot help.

In the event that parts are missing.
PLEASE CALL: 800-344-7005

**TWO PERSON (TEAM)
ASSEMBLY IS STRONGLY
RECOMMENDED.**

**PLEASE BUILD EXACTLY
AS SHOWN.**

ASSEMBLY INSTRUCTIONS

PARTS LIST

Ulti MATE

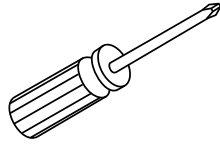


LARGE STORAGE MODEL #GA-06

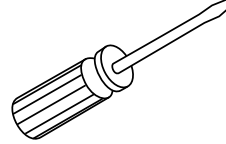
Using the Parts List below, check to make sure all parts are included. Instructions will reference Part Letters found in this list. In the event that parts are missing or damaged.

PLEASE CALL: 800-344-7005

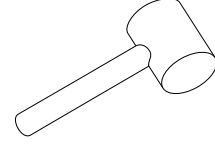
TOOLS NEEDED FOR ASSEMBLY



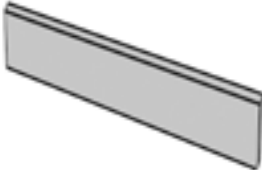
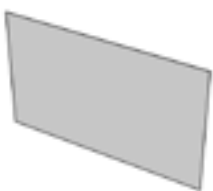


Phillips Screw Driver









Flat Screw Driver



Rubber Mallet

#	DESCRIPTION	QTY	IMAGE
a	Back Cross Spanner	2	
b	Back Panel	3	
c	Side Panel (LEFT)	1	
d	Side Panel (RIGHT)	1	

#	DESCRIPTION	QTY	IMAGE
e	Shelf	1	
f	Base Panel	1	
g	Top Panel	1	
h	Door (LEFT)	1	
i	Door (RIGHT)	1	
j	Adjustable Shelf	2	

PARTS LIST Uti MATE



LARGE STORAGE MODEL #GA-06

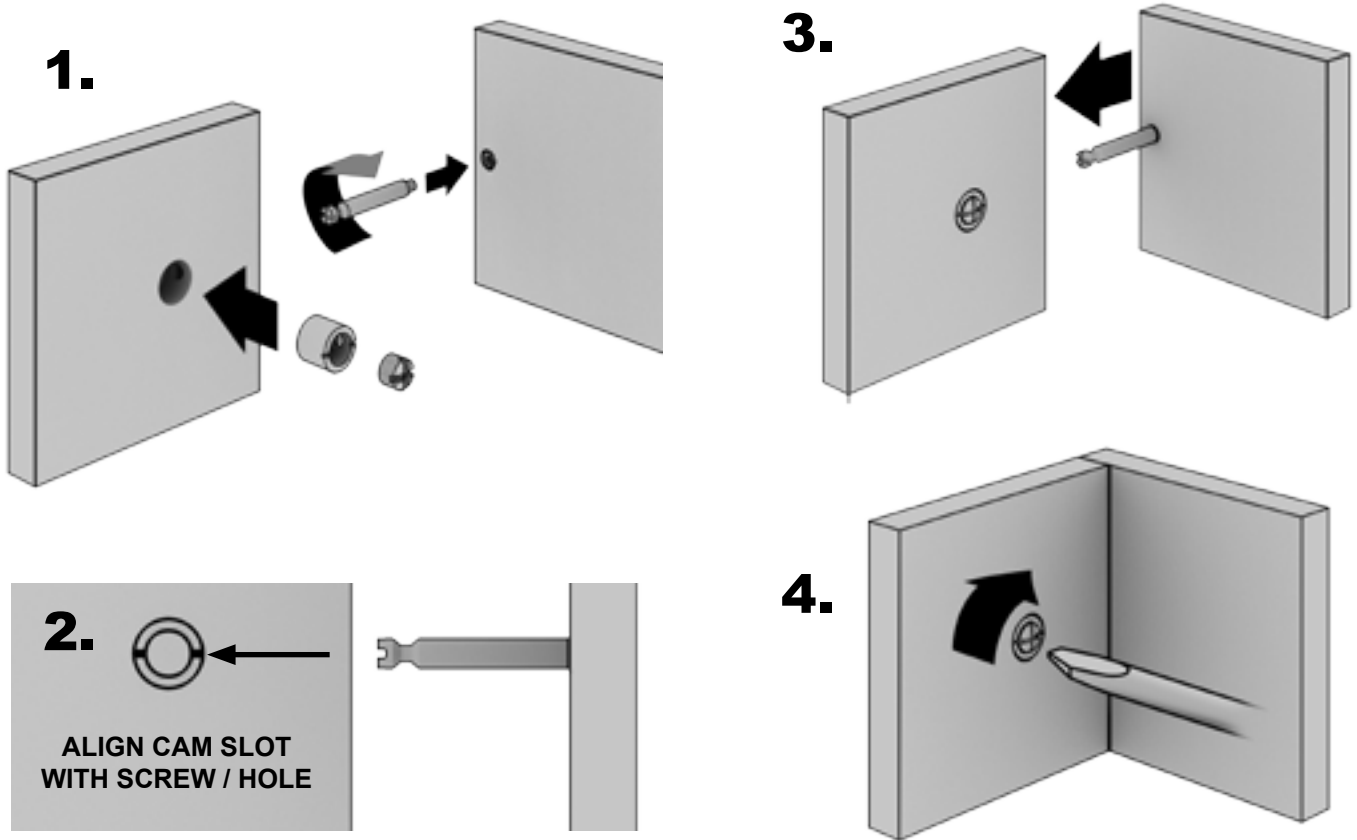
Using the Parts List below, check to make sure all parts are included. Instructions will reference Part Letters found in this list. In the event that parts are missing or damaged.

PLEASE CALL: 800-344-7005

#	DESCRIPTION	QTY	IMAGE	#	DESCRIPTION	QTY	IMAGE
aa	Screw (4.5 x 42mm)	4		gg	Pull	2	
bb	Wooden Dowel	8		hh	Screw (M5 x 25mm)	4	
cc	Cam	16		ii	Hinge	8	
dd	Metal Dowel	16		jj	Shelf Pin	8	
ee	Foot	4		kk	Spring Washer	4	
ff	Screw (3.5x12mm)	48		ll	Corner Support	12	
				mm	Screw	12	
				nn	Touch-up Paint	1	

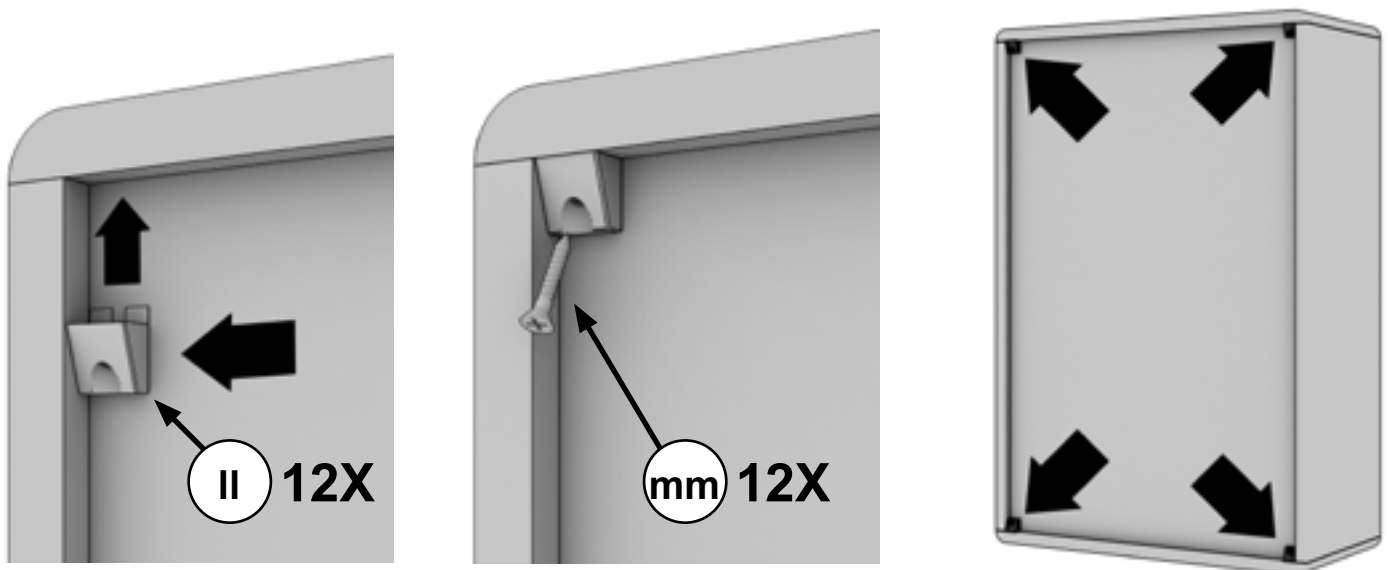
BEFORE YOU BEGIN

CAM STYLE FASTENERS ARE USED THROUGHOUT THE ASSEMBLY OF THIS CABINET. ASSEMBLE ALL CAMS AS SHOWN BELOW.

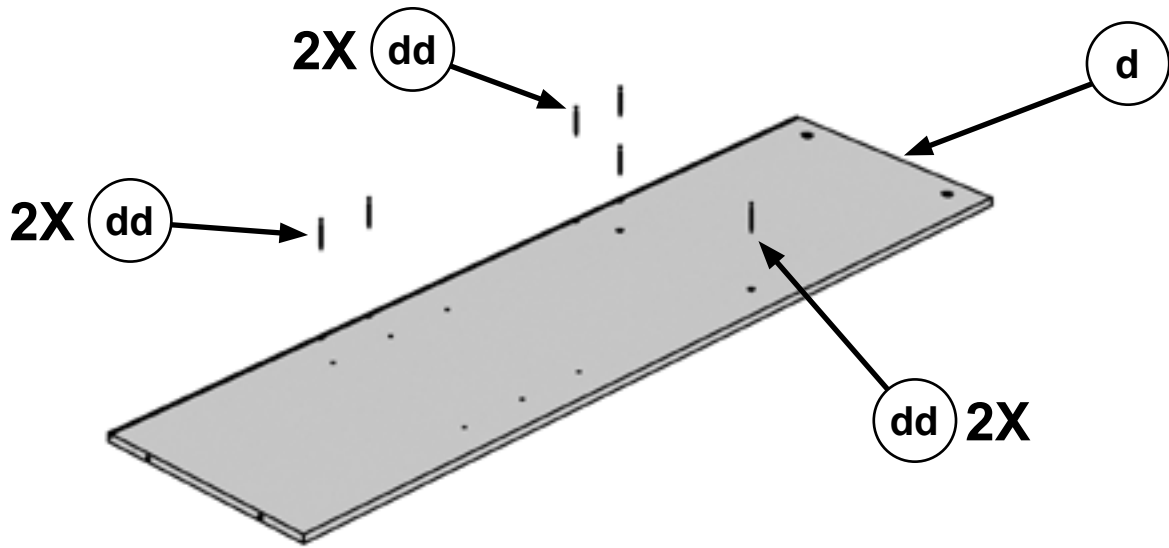


WHEN YOU FINISH

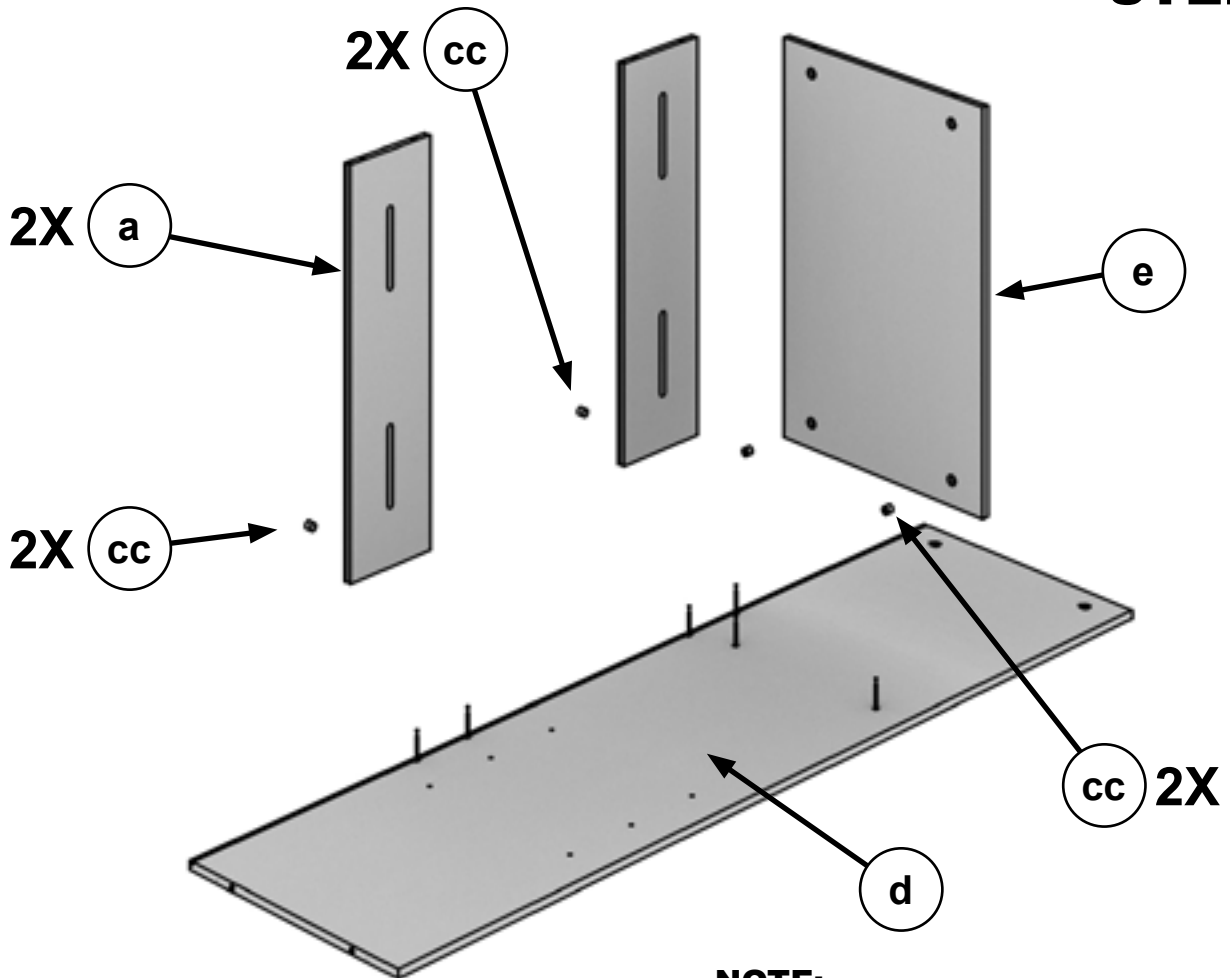
ADDING CORNER SUPPORTS TO THE BACK WILL GREATLY INCREASE THE STRENGTH OF YOUR CABINET.



STEP 1

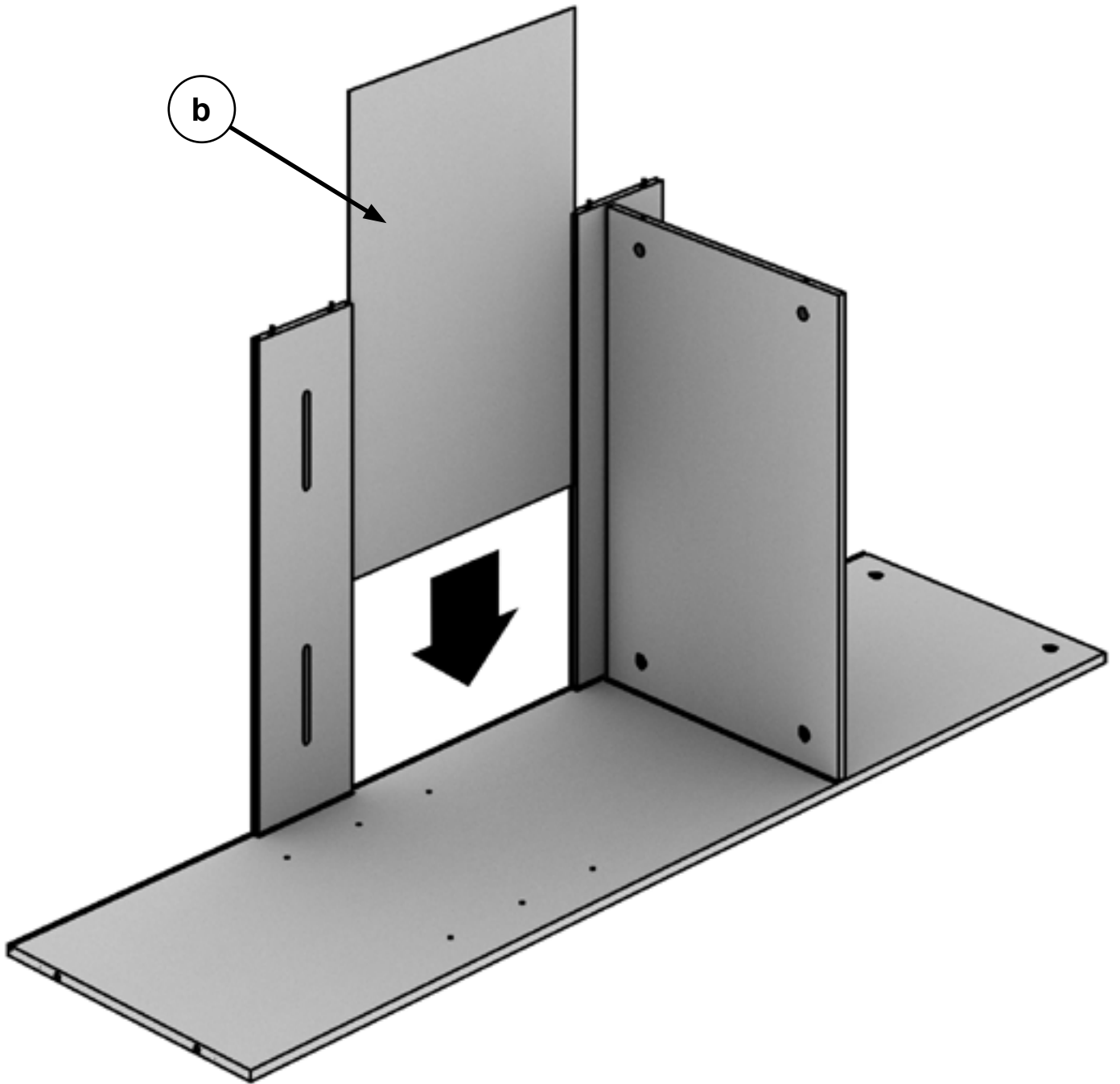


STEP 2

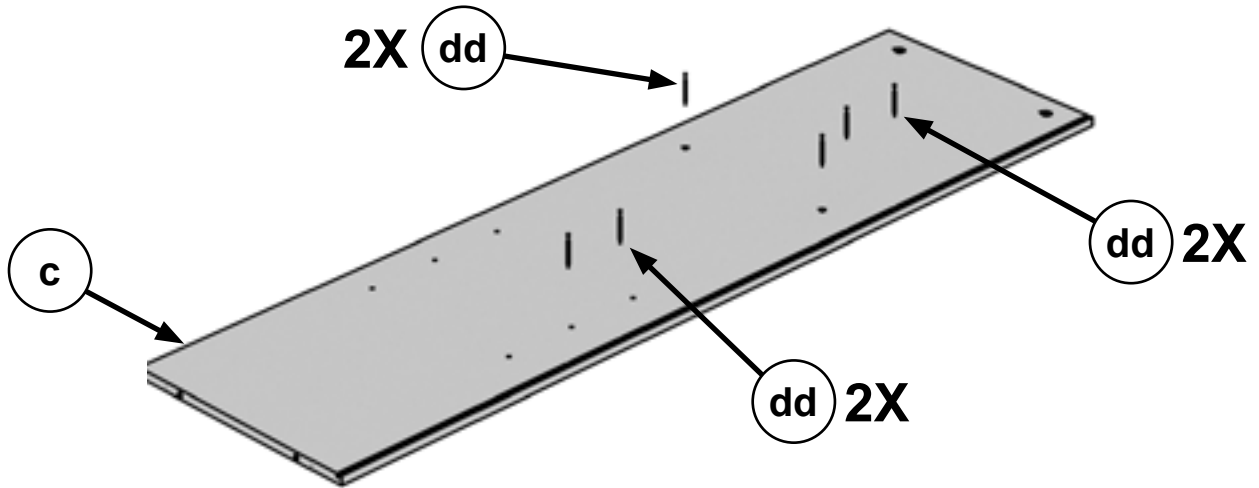


**NOTE:
CABINET MUST BE BUILT ON ITS
SIDE AS SHOWN.**

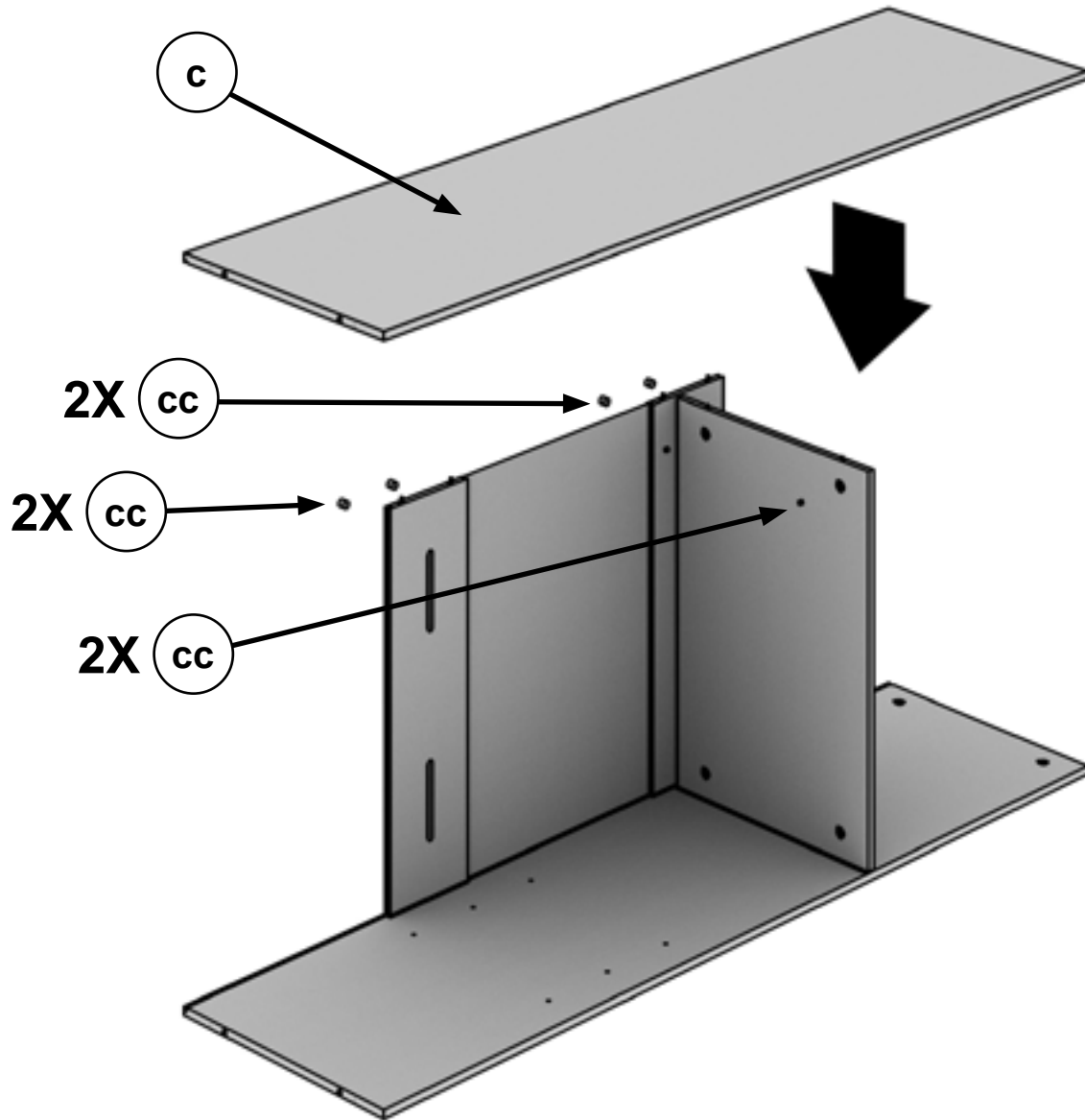
STEP 3



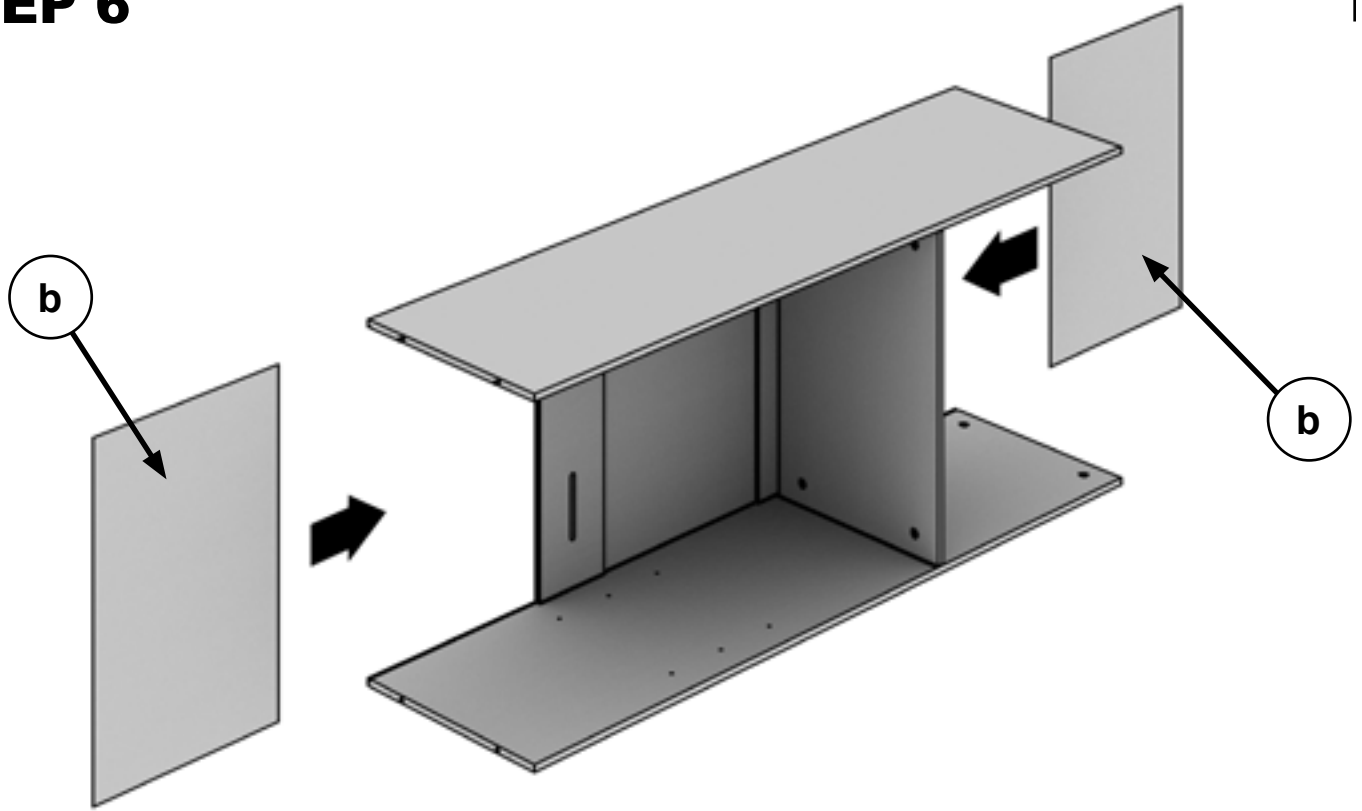
STEP 4



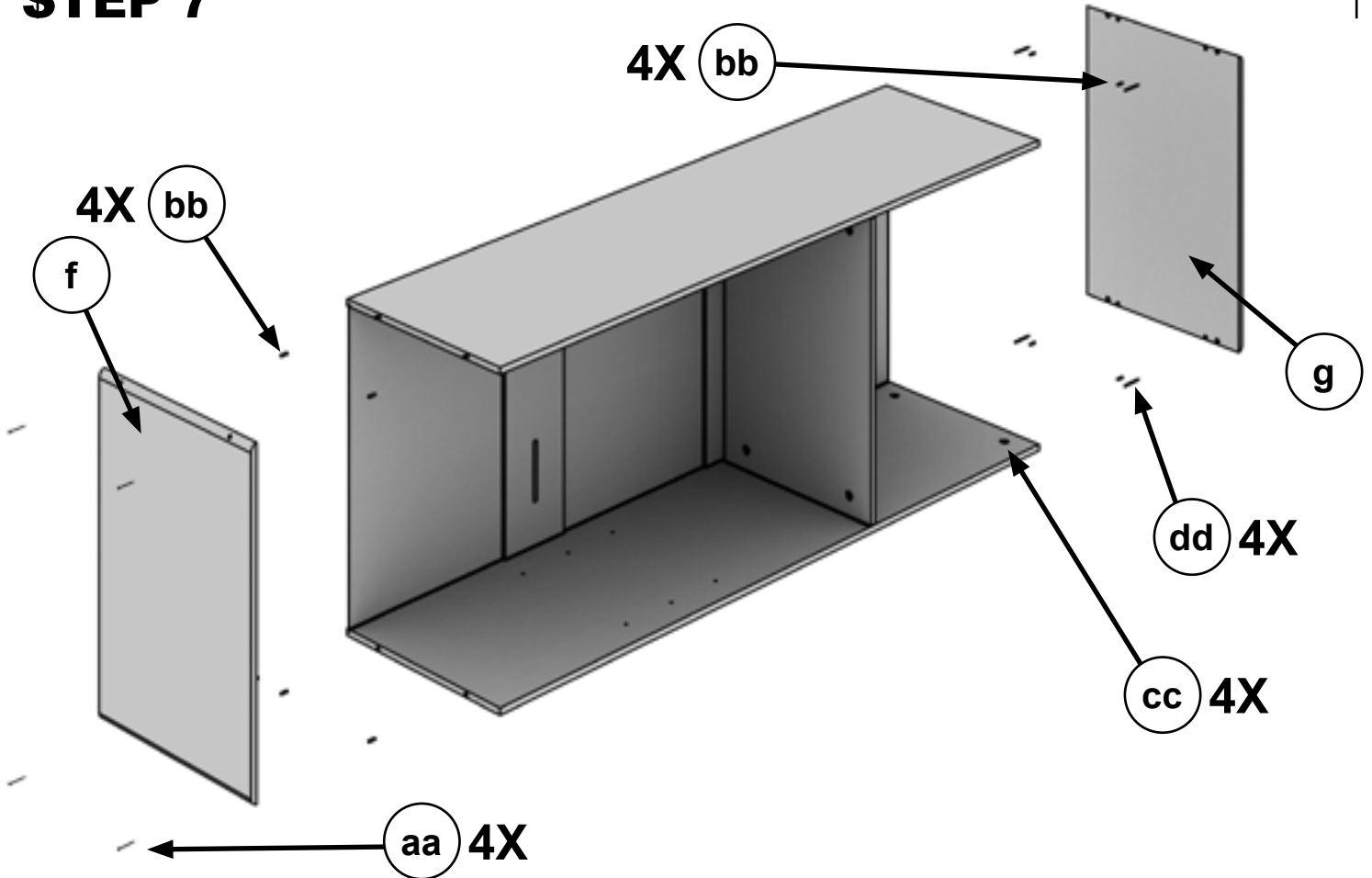
STEP 5

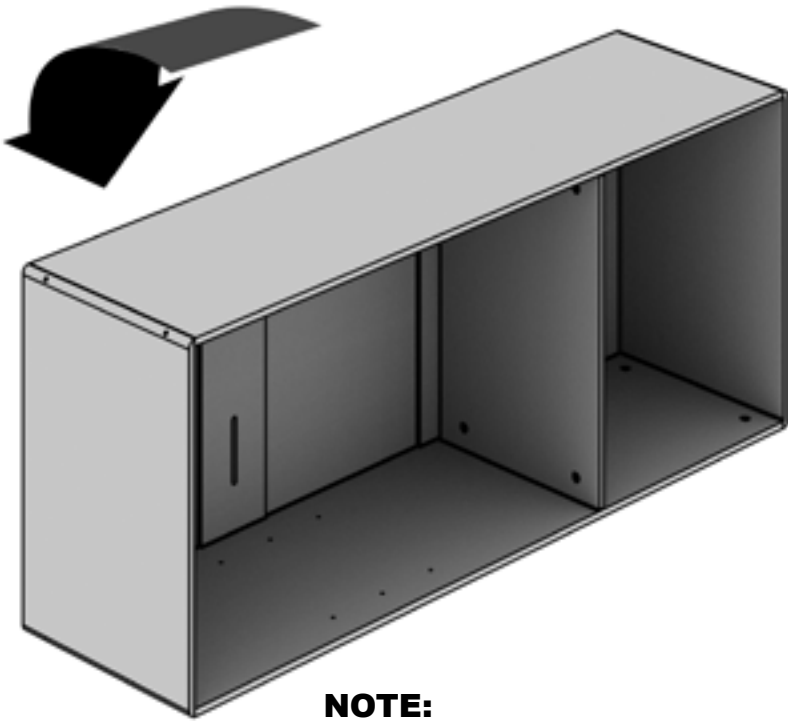


STEP 6

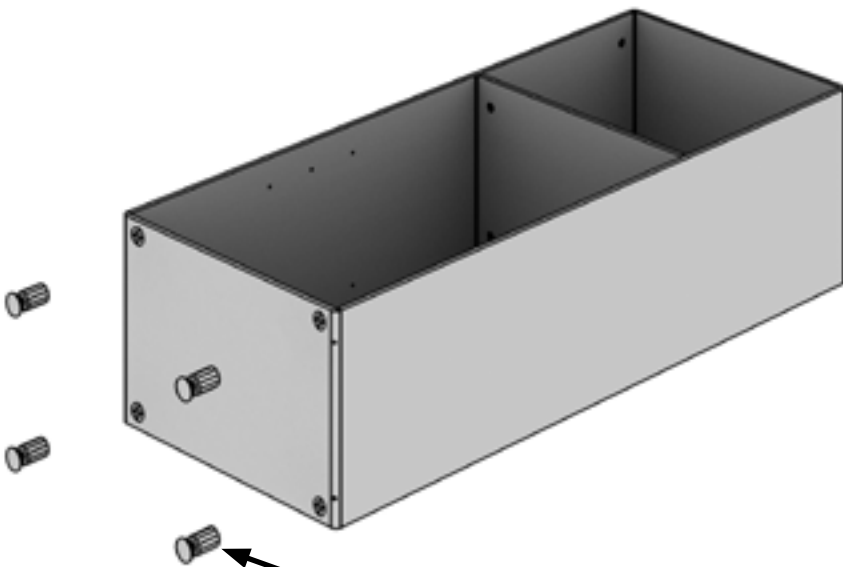
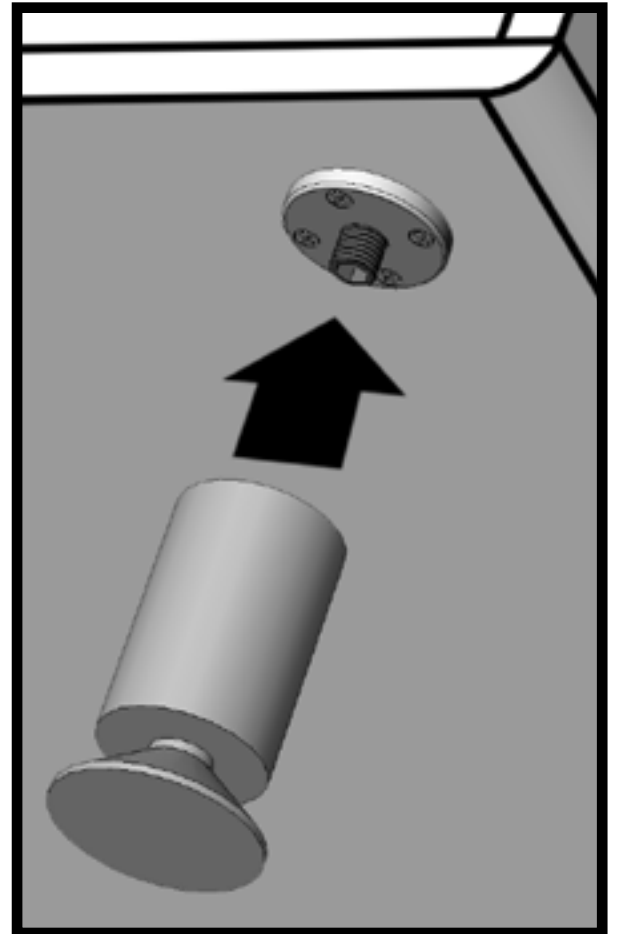
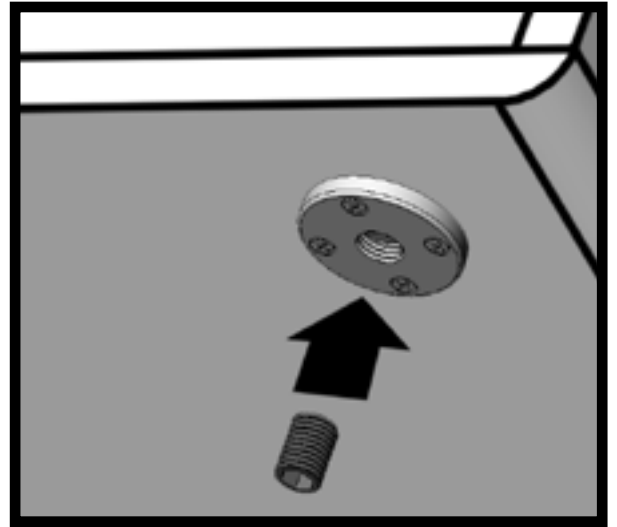


STEP 7



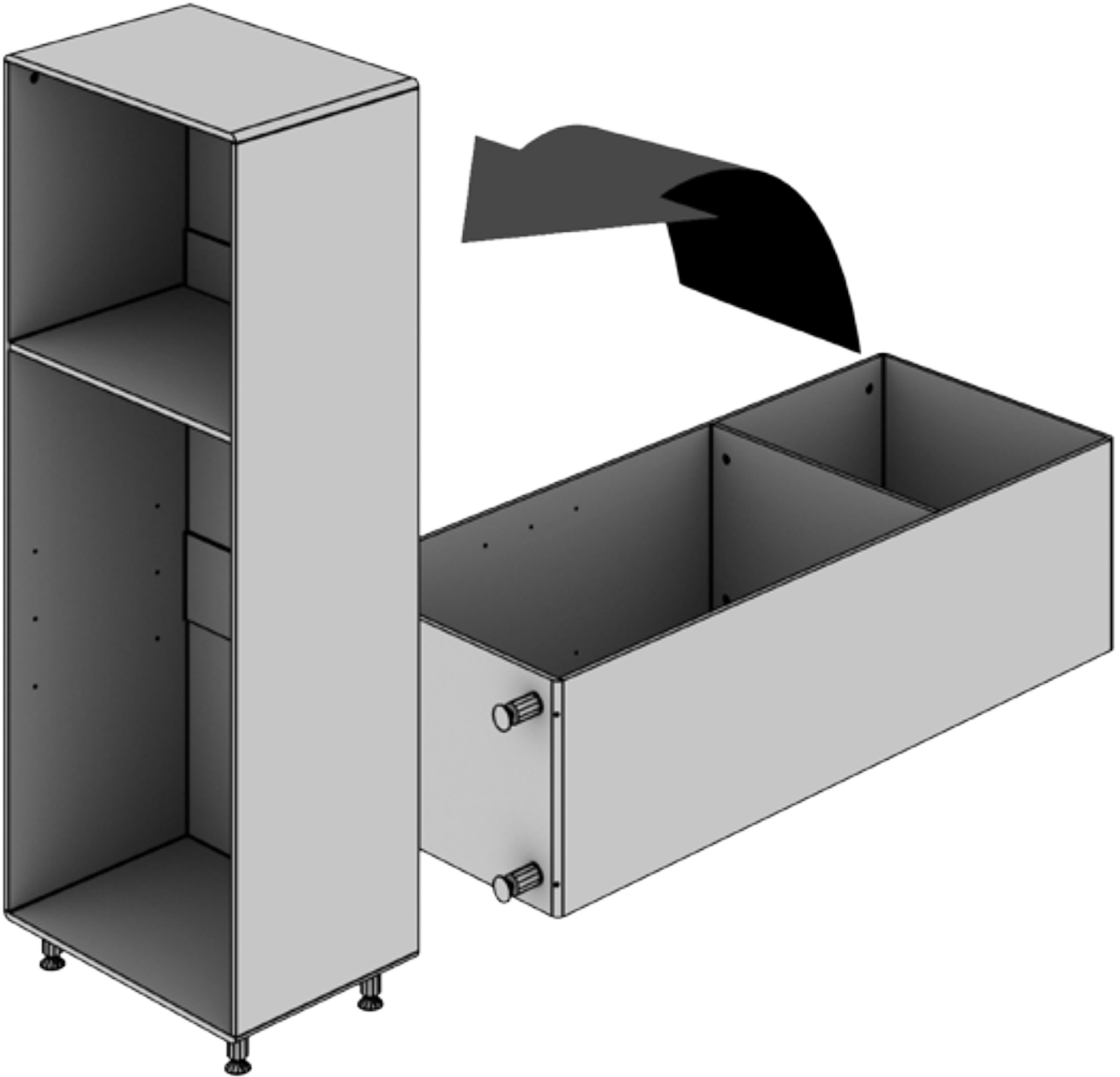


**NOTE:
CABINET MUST BE TURNED
ONTO ITS BACK.**

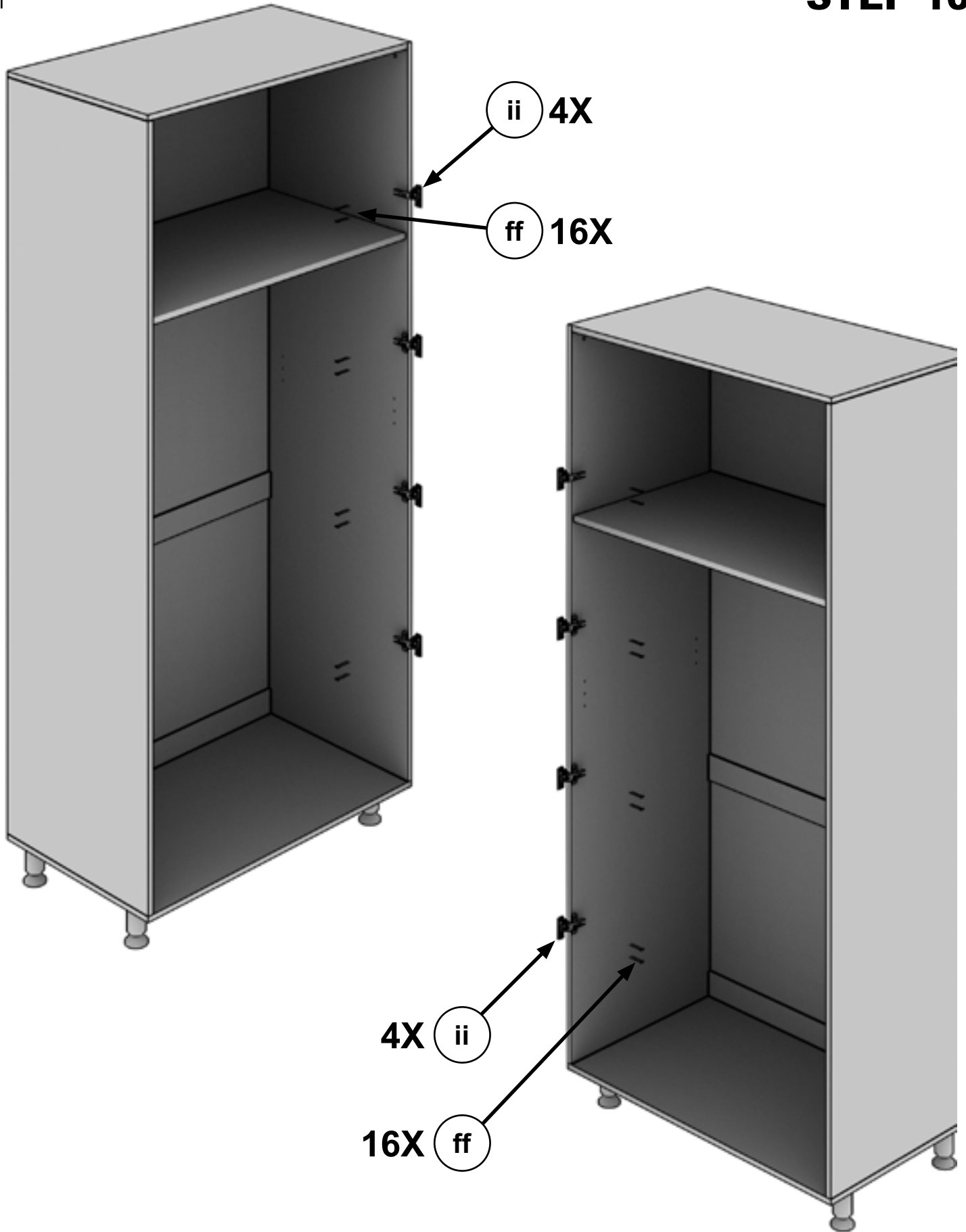


ee 4X

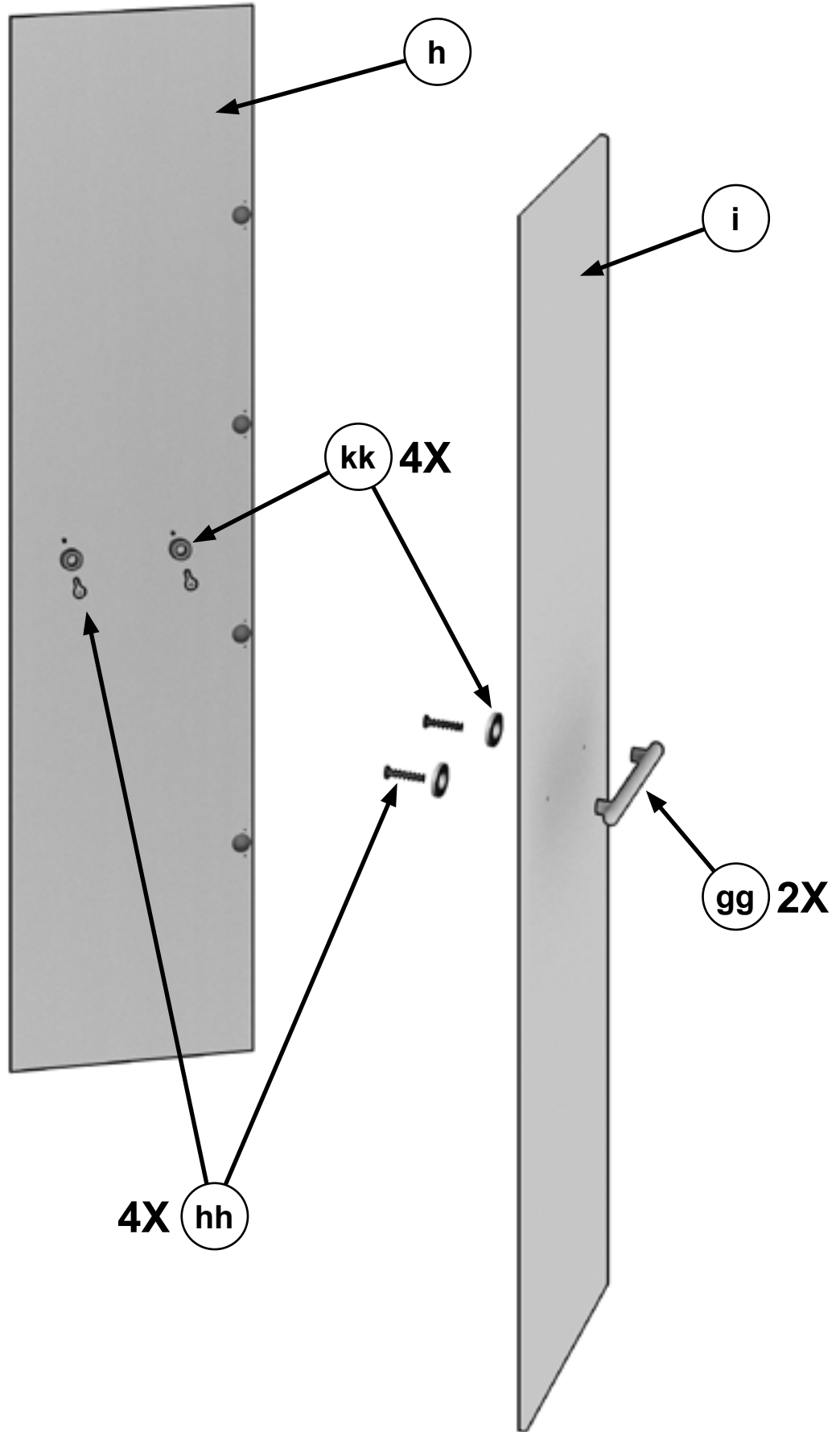
STEP 9

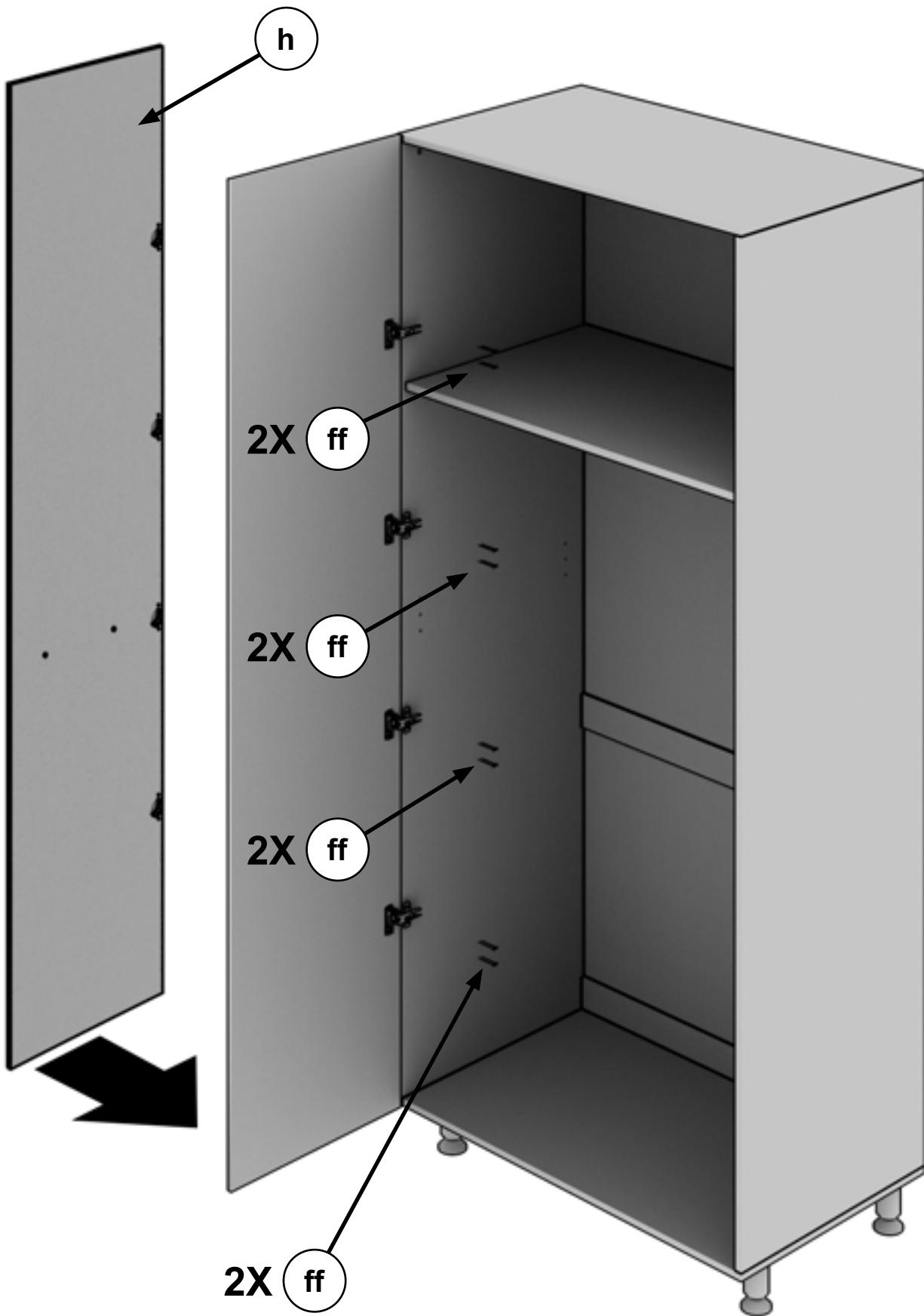


NOTE:
BE VERY CAREFUL LIFTING CABINET

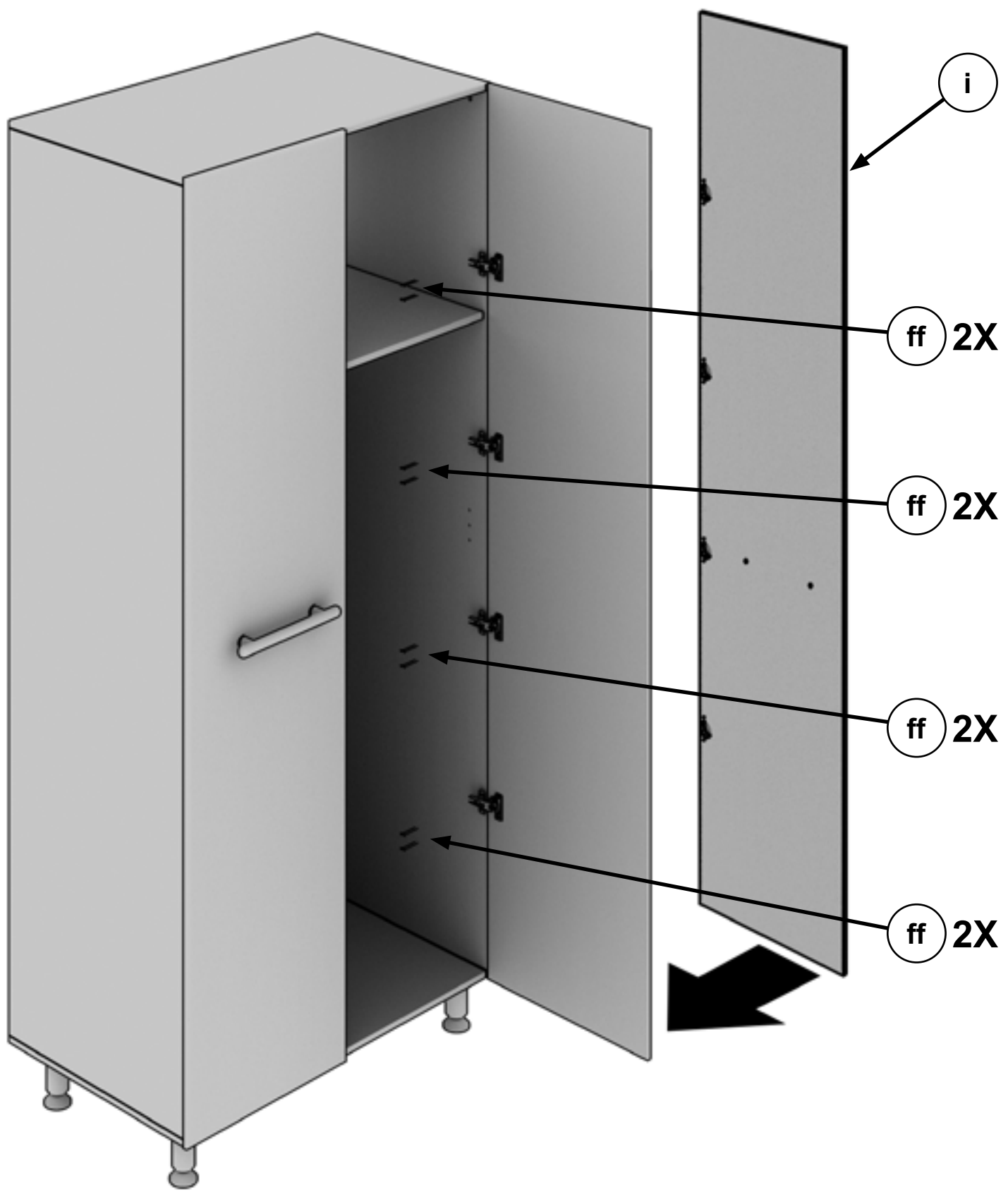


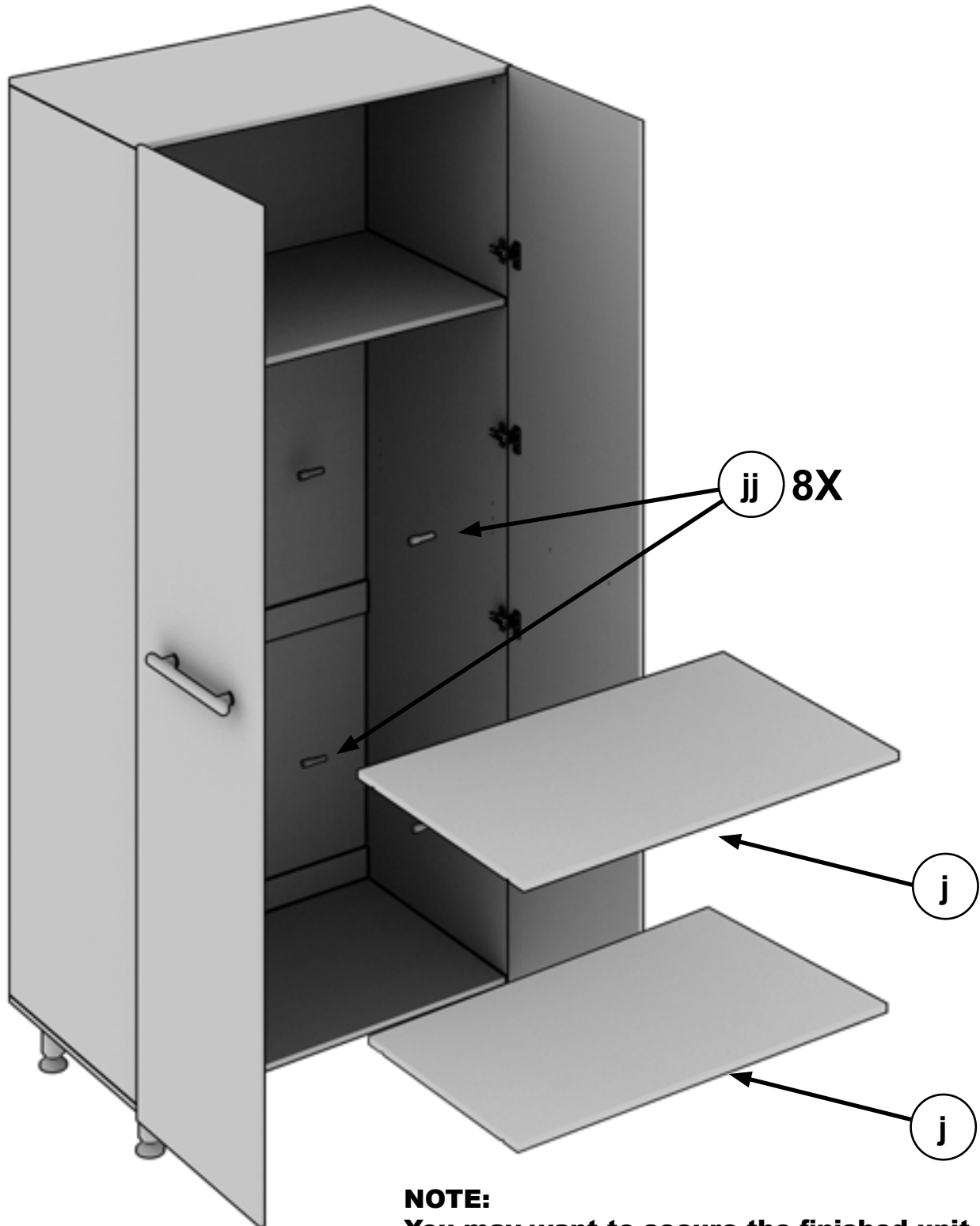
STEP 11





STEP 13





NOTE:
You may want to secure the finished unit onto the wall through the spanners using wood / drywall screws for added stability.