

# Ulti MATE



**GARAGE**



## **LARGE (36") BASE CABINET** Model Number # GA-01

**Heavy Duty, 2 Door, Single Shelf Storage Tower**

**PLEASE DO NOT TAKE THIS PRODUCT BACK TO THE STORE!**

Most likely, stores do not stock spare parts and cannot help. In the event that parts are missing.

**PLEASE CALL: 800-344-7005**

# **ASSEMBLY INSTRUCTIONS**

Bladez Corp. | Ultimate Garage - 20155 Ellipse - Foothill Ranch, CA 92610  
949.206.8155 (V) - 949.206.0013 (F)

# PARTS LIST

# Ulti MATE

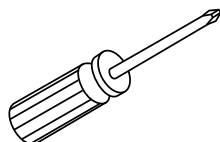


**BASE CABINET MODEL #GA-01**

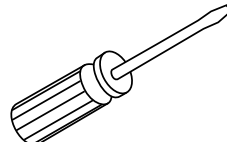
Using the Parts List below, check to make sure all parts are included. Instructions will reference Part Letters found in this list. In the event that parts are missing or damaged.

**PLEASE CALL: 800-344-7005**

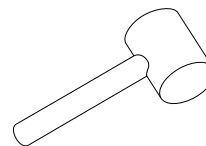
## TOOLS NEEDED FOR ASSEMBLY









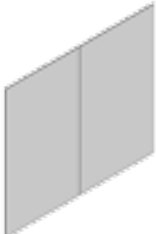

Phillips Screw Driver



Flat Screw Driver



Rubber Mallet

#	DESCRIPTION	QTY	IMAGE	#	DESCRIPTION	QTY	IMAGE
a	Side Panel (RIGHT)	1		e	Top Work Surface	1	
b	Side Panel (Left)	1		f	Door (RIGHT)	1	
c	Bottom Panel	1		g	Door (LEFT)	1	
d	Back Panel	1		h	Shelf	1	


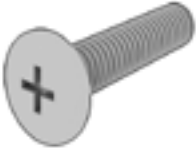
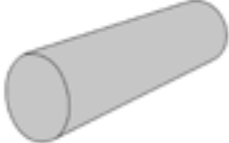




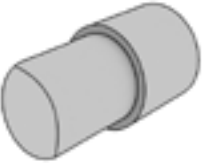






# PARTS LIST Uti MATE



**BASE CABINET MODEL #GA-01**

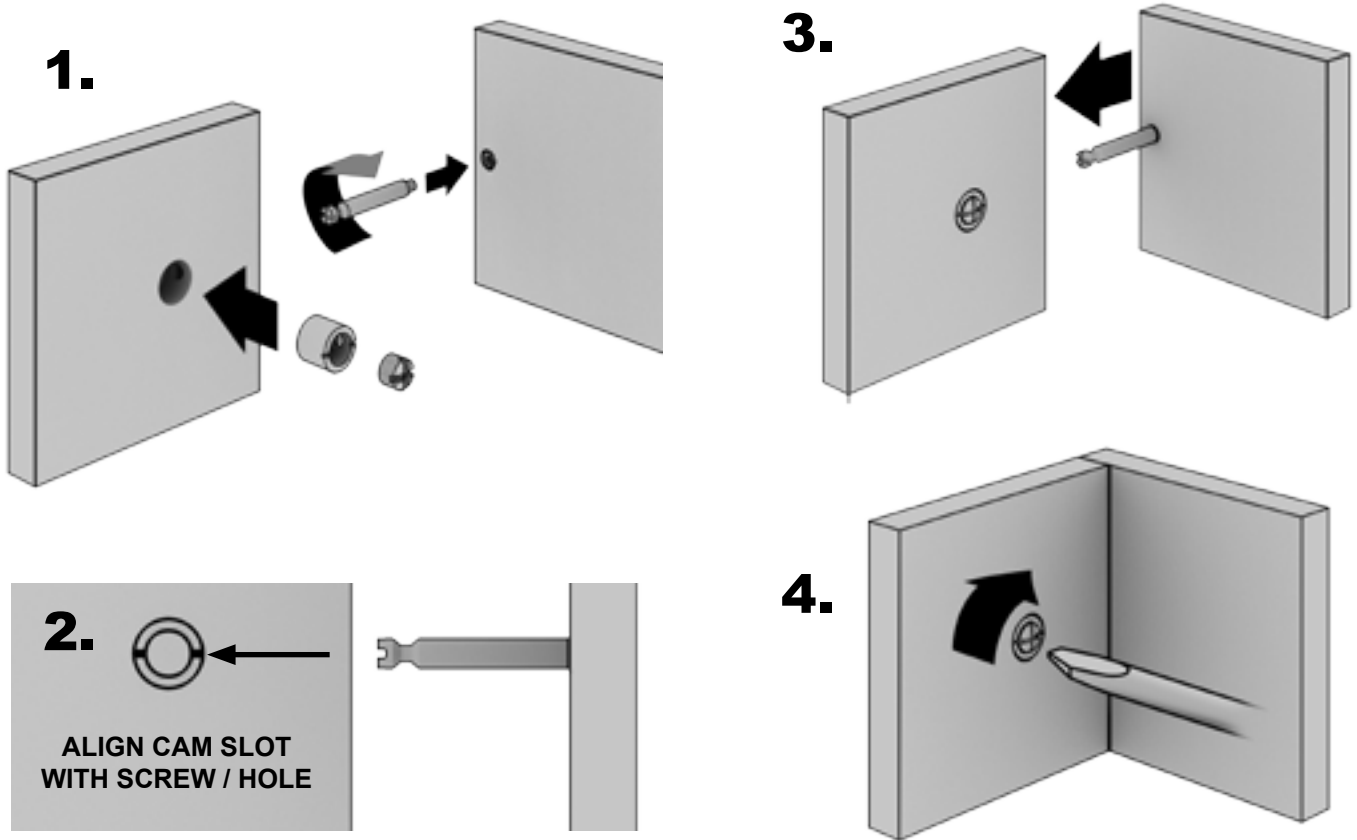
Using the Parts List below, check to make sure all parts are included. Instructions will reference Part Letters found in this list. In the event that parts are missing or damaged.

**PLEASE CALL: 800-344-7005**

#	DESCRIPTION	QTY	IMAGE	#	DESCRIPTION	QTY	IMAGE
aa	Screw (4.5 x 42mm)	4		gg	Screw (M5 x 25mm)	4	
bb	Wooden Dowel	4		hh	Hinge	4	
cc	Cam	4		ii	Screw (3.5 x 12mm)	24	
dd	Metal Dowel	4		jj	Shelf Pin	4	
ee	Foot	4		kk	Spring Washer	4	
ff	Pull	2		ll	Corner Support	4	
				mm	Screw	4	
				nn	Touch-up Paint	1	

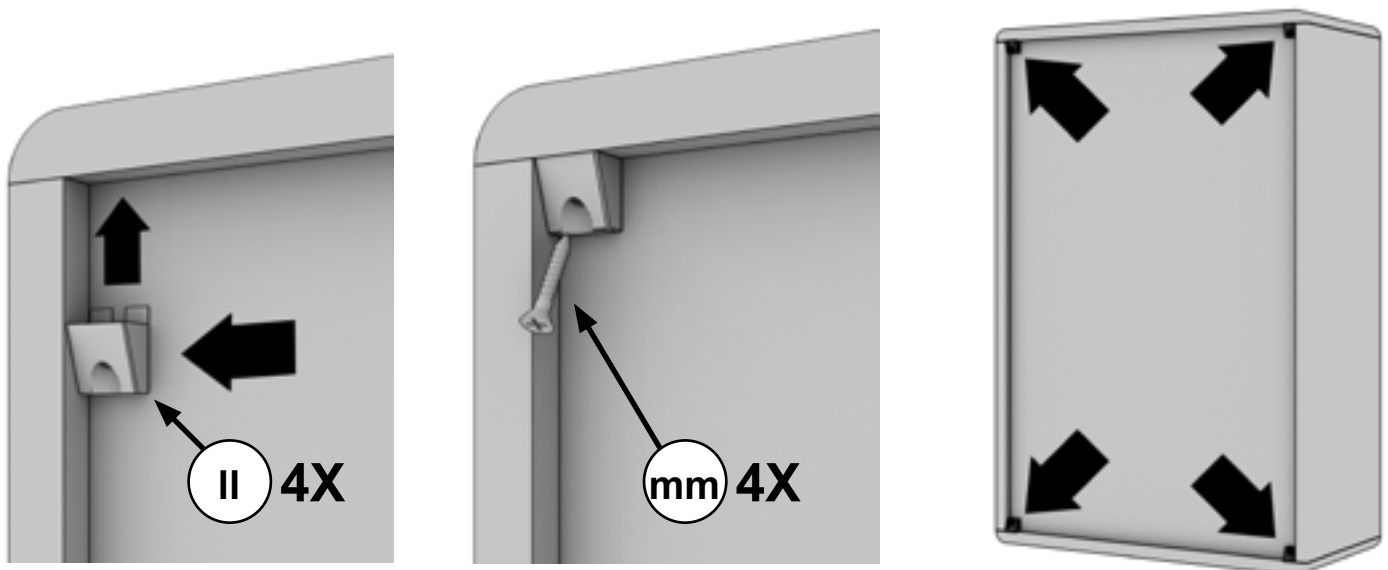
# BEFORE YOU BEGIN

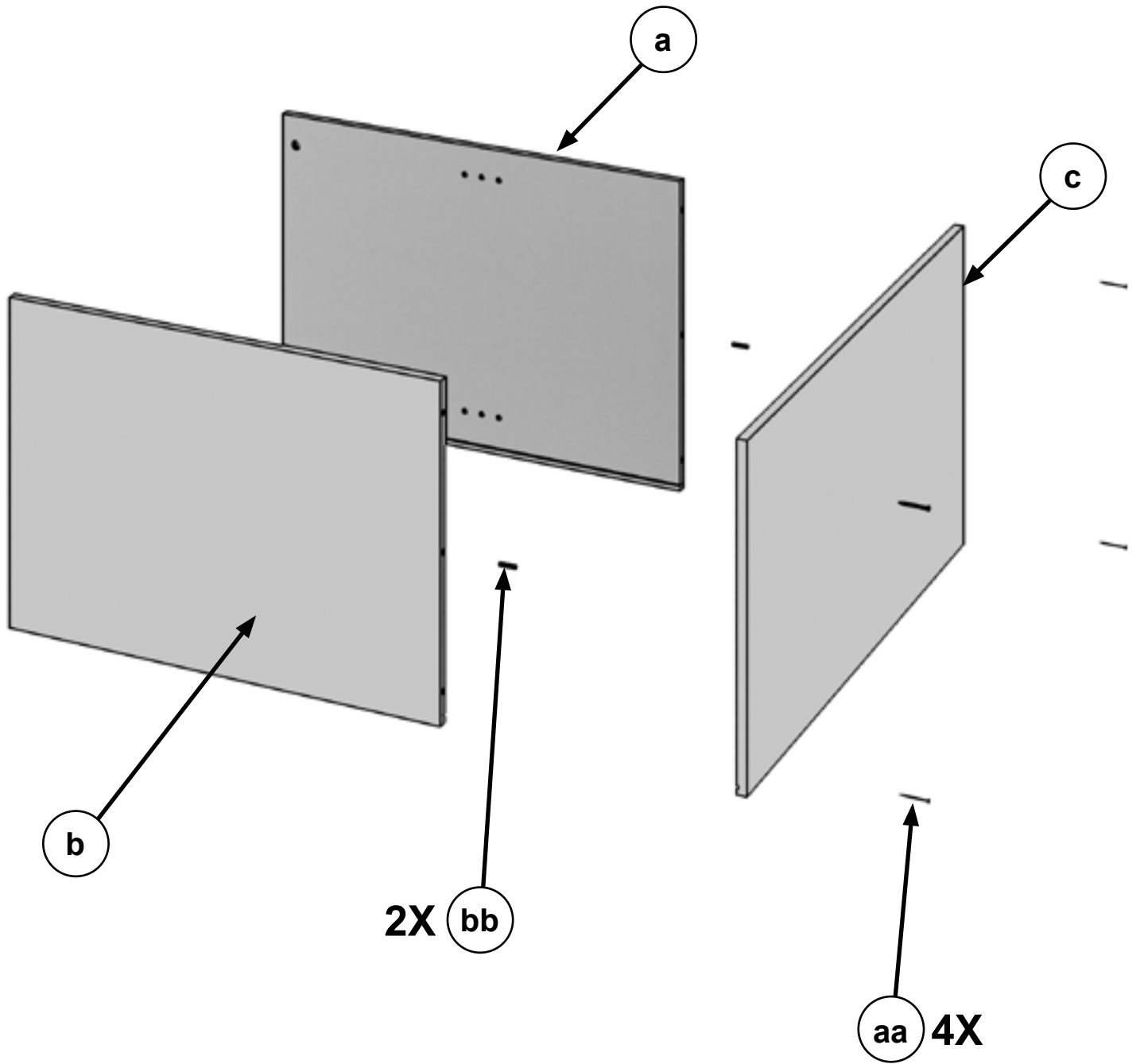
CAM STYLE FASTENERS ARE USED THROUGHOUT THE ASSEMBLY OF THIS CABINET. ASSEMBLE ALL CAMS AS SHOWN BELOW.



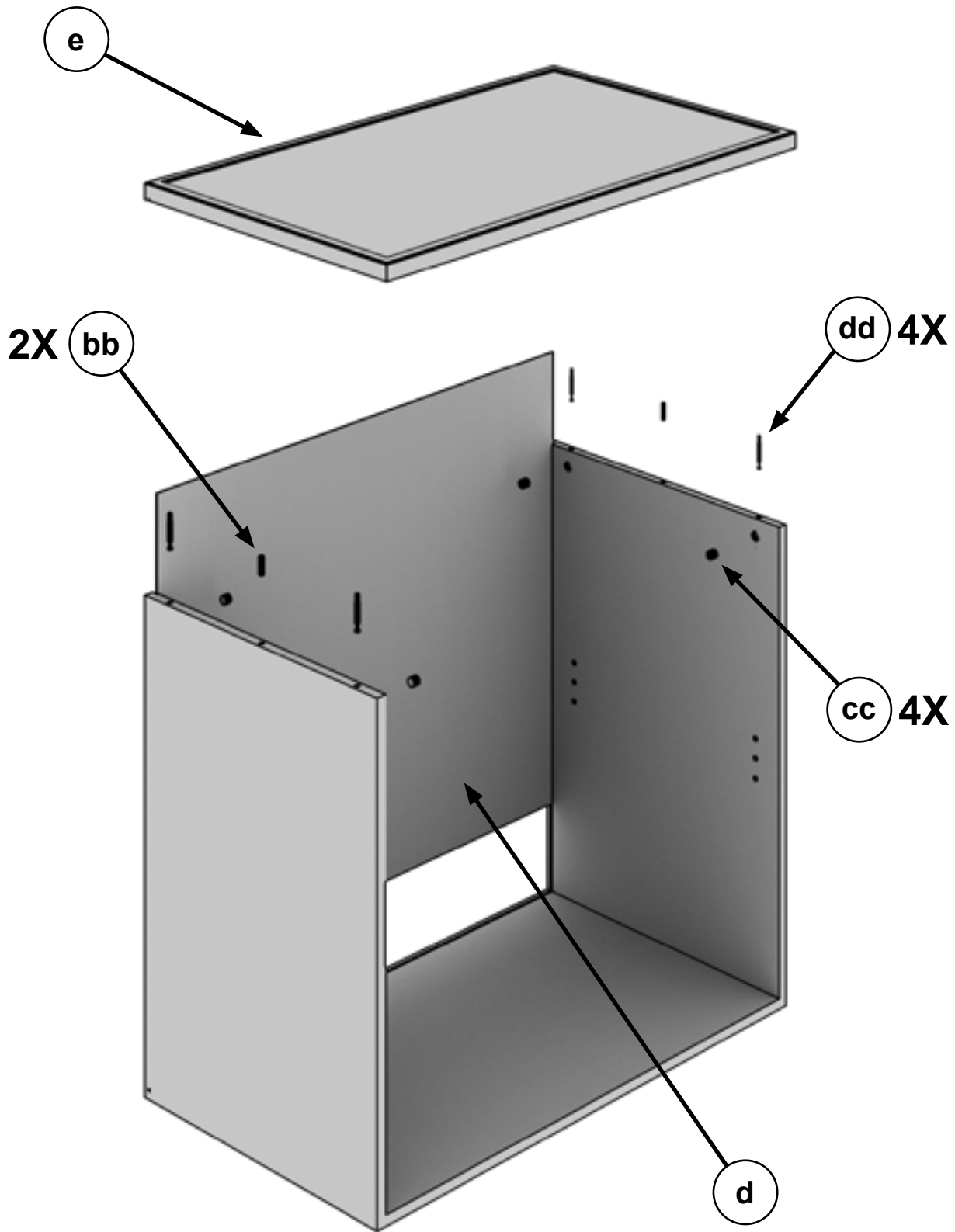
# WHEN YOU FINISH

ADDING CORNER SUPPORTS TO THE BACK WILL GREATLY INCREASE THE STRENGTH OF YOUR CABINET.

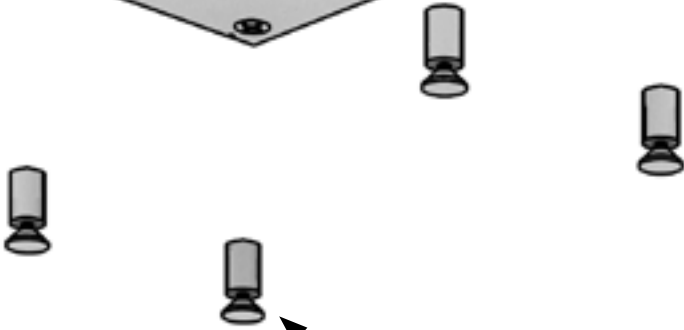
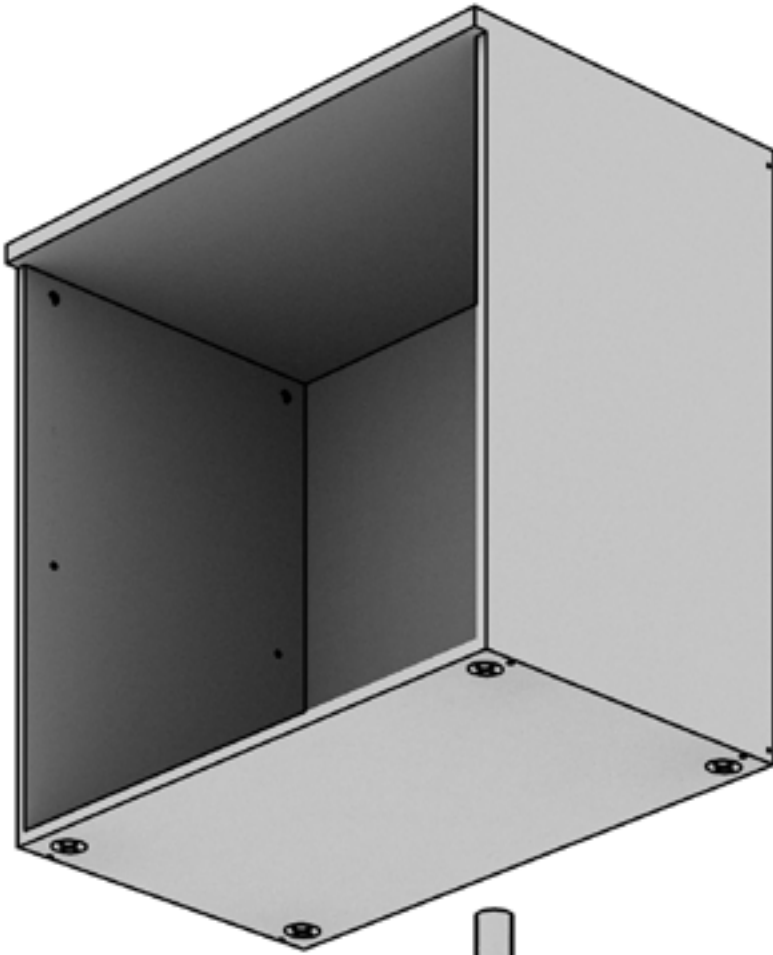




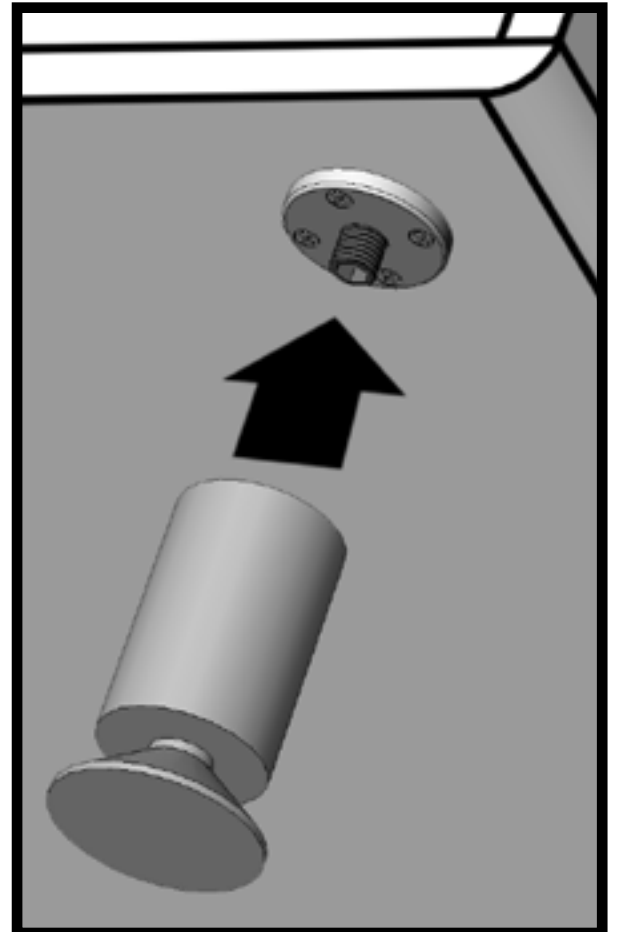
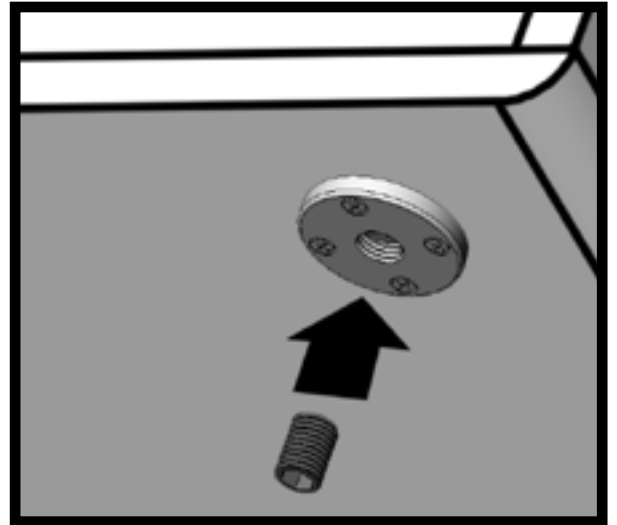
**STEP 2**



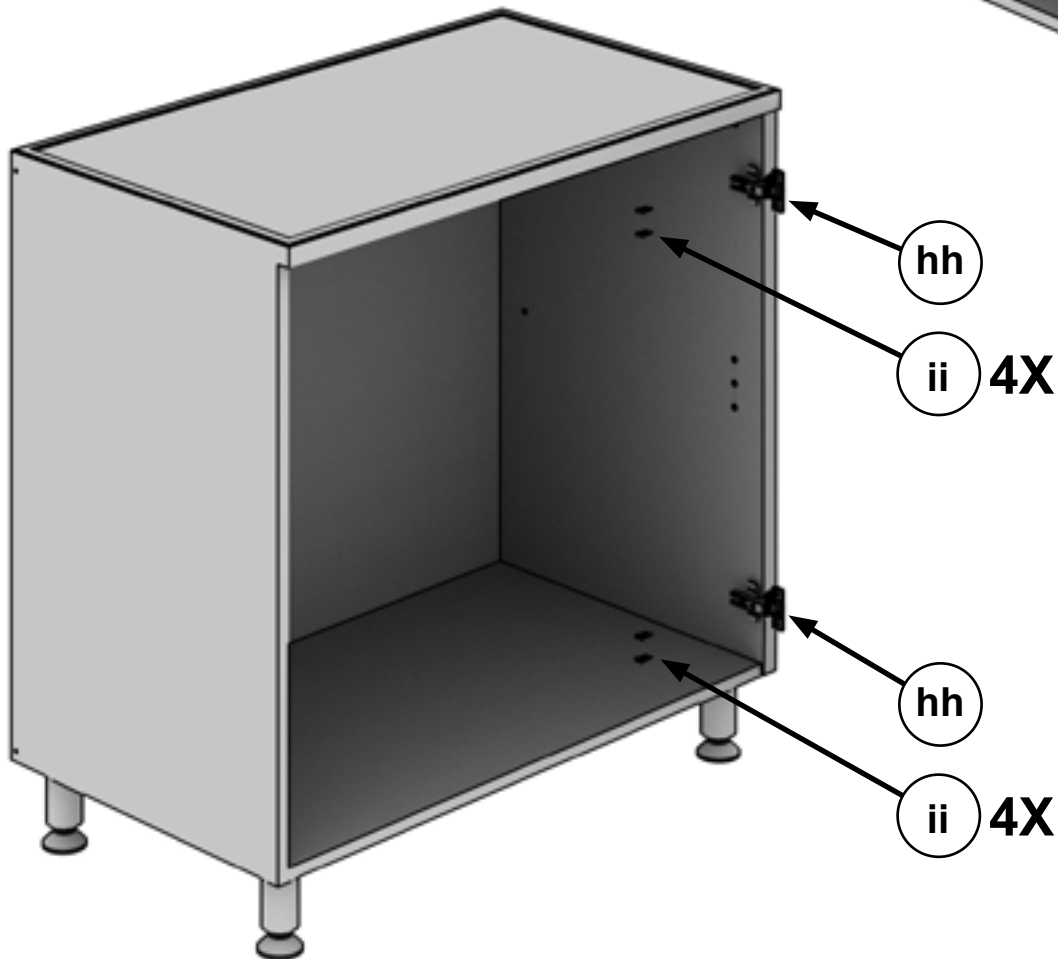
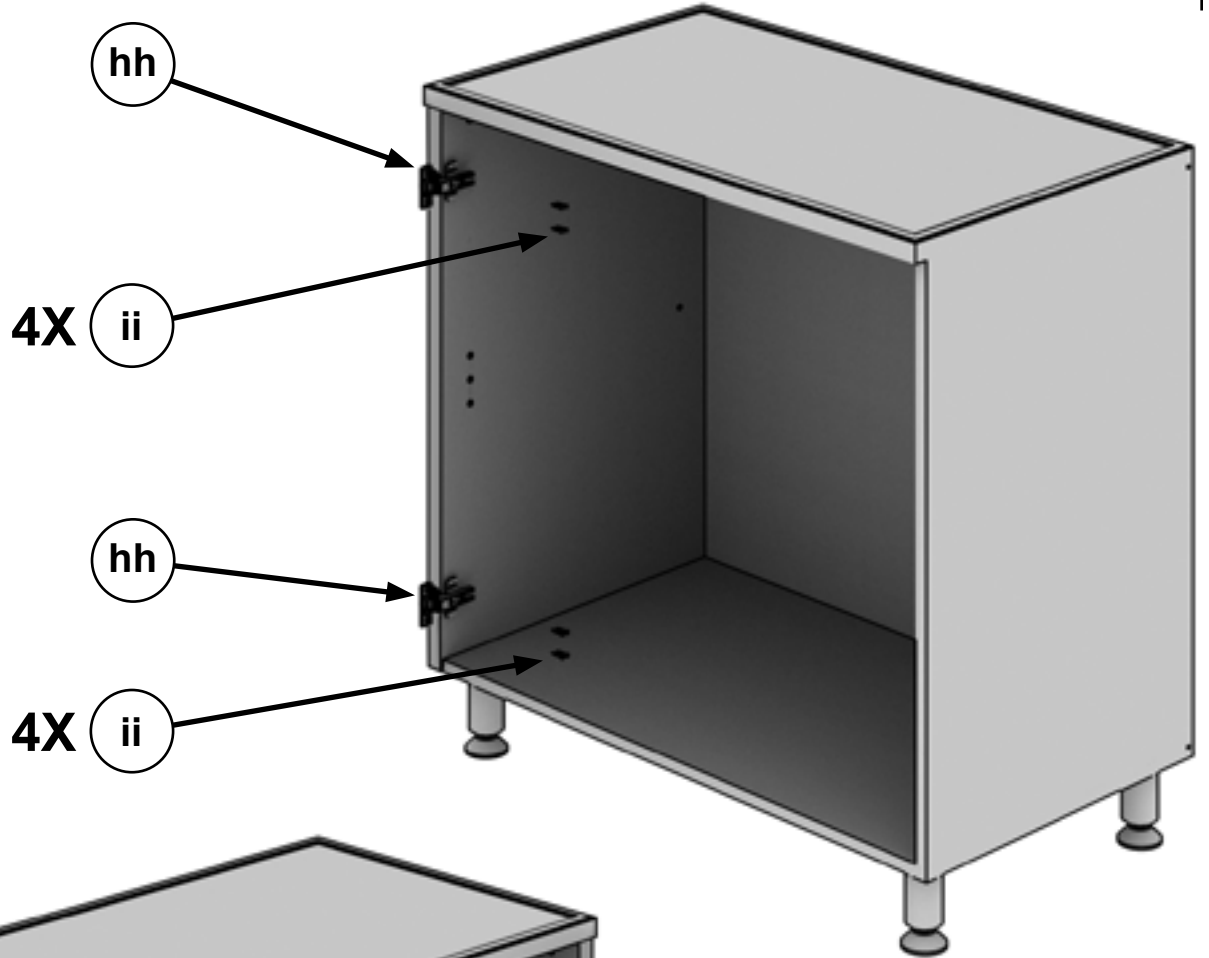
**STEP 3**



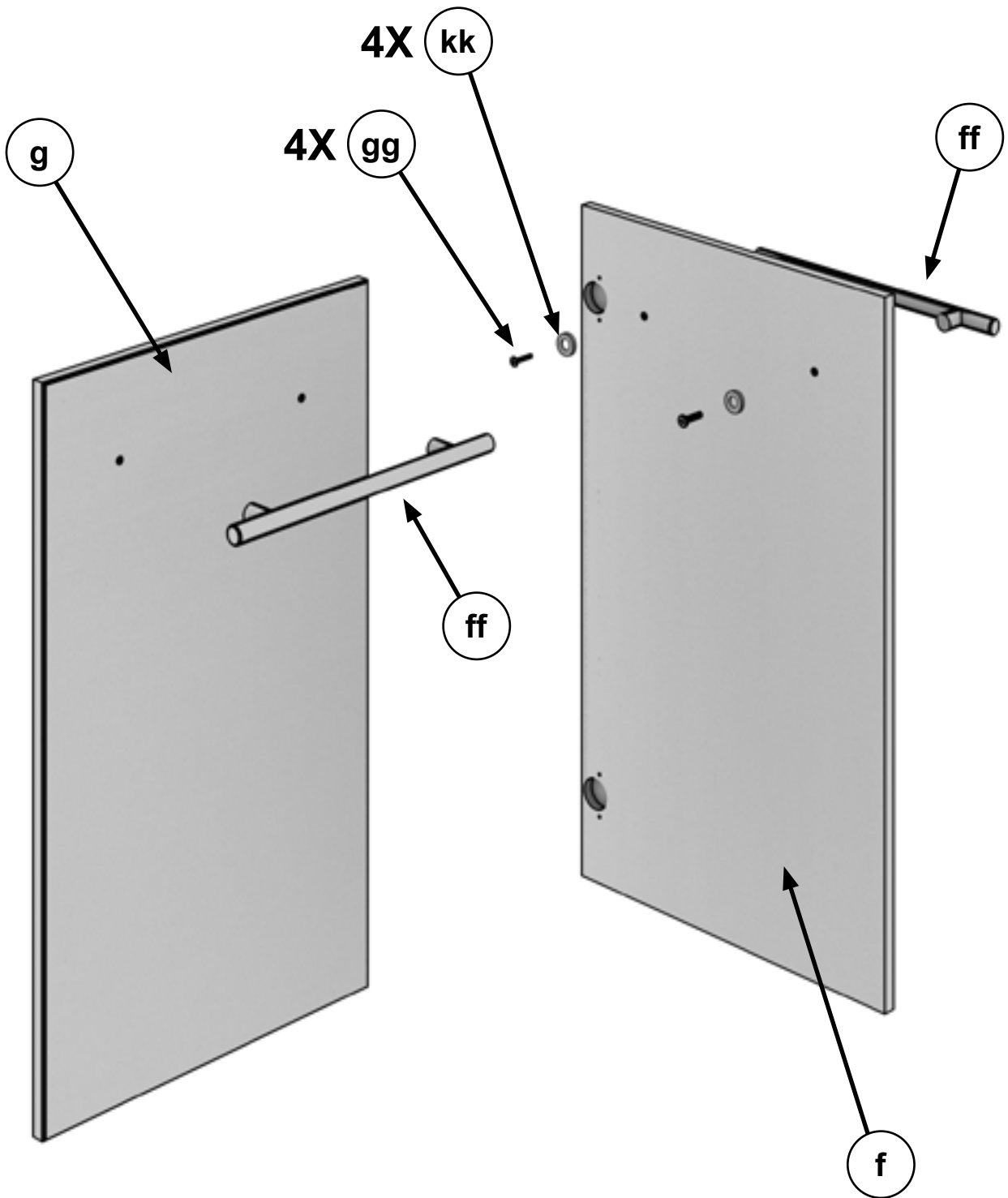
**ee 4X**



# STEP 4







**STEP 6**

