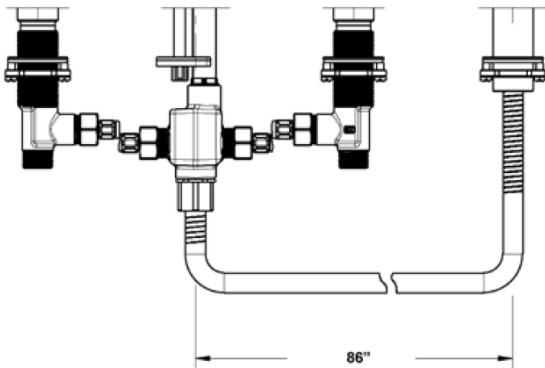




HANSAFORM Roman tub rough-in 5870 0200 0017



Product Specification:

4-hole two-handle with diverter for individual deck mounting

Flow Rate:

Roman tub spout
5.5 gpm @ 60psi

Hand shower
2.5 gpm @ 80psi

*complete unit consists of rough-in and trim kit,
to be ordered separately.