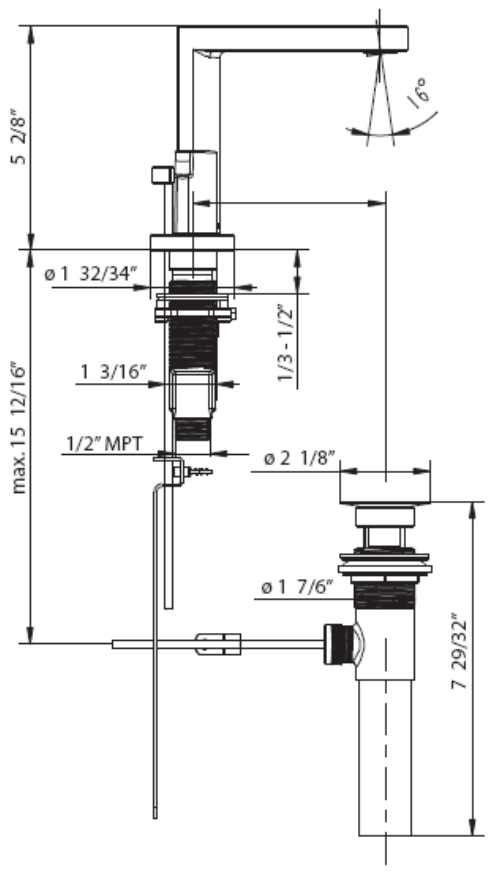




## HANSAFORM Wide Spread Basin Mixer 5891 2101 XX17



### Product Specification:

Three hole, two handle wide spread basin mixer  
Pop-up waste

Flexible supply lines

### Flow Rate:

1.3 gpm @ 60psi

### Finishes Offered:

Chrome  
Brushed Nickel