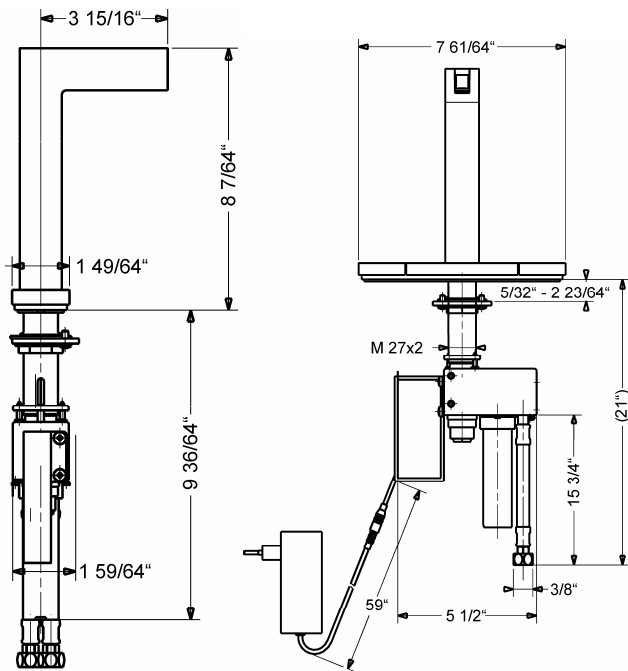




HANSACANYON Electronic Basin Mixer

0760 2201 0017



Product Specification

Electronically controlled single hole
temperature pre-select basin/bidet mixer
Adjustable water temperature
Grid drain
*Chromduratec finish
Flexible supply lines

Flow Rate:
1.2 gpm @ 60 psi

Finishes Offered:
Chrome

*Chromduratec:
Extremely durable ceramic coating in
combination with a galvanic platen metal coating
for optimal protection against attrition