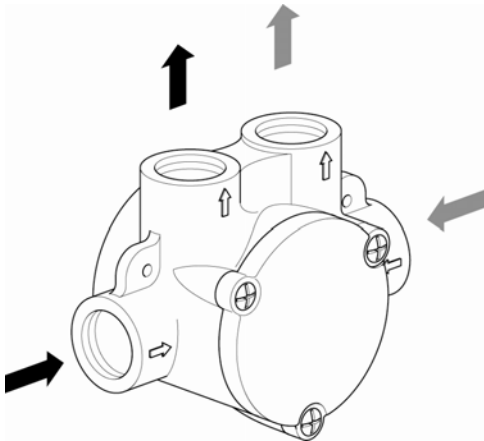
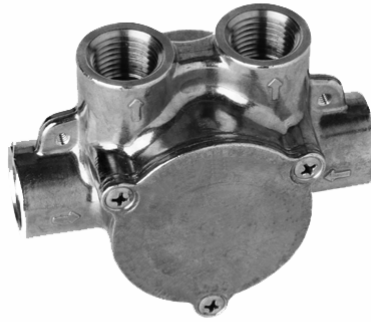




## HANSA SENTRO Remote Pressure Balance Valve 0203 0100 0017



### Product Specification

Remote pressure balance valve  
1/2" FPT connections  
For pressure balancing of any  
faucet or retro-fit  
Install anywhere accessible,  
Max. 10' distance from  
designated faucet/valve

**Flow Rate:**  
6 gpm@60psi

\*Use for code compliance with any non-  
pressure balanced mixer