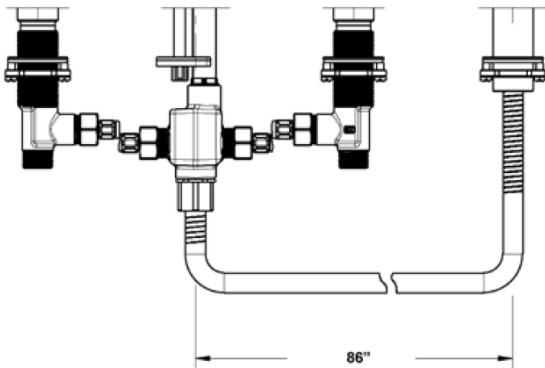




## HANSASTYLE / HANSACLASSIC Roman tub rough-in 5870 0100 0017



### Product Specification:

4-hole two-handle with diverter for individual deck mounting

### Flow Rate:

Roman tub spout  
5.5 gpm @ 60psi

Hand shower  
2.5 gpm @ 80psi

\*complete unit consists of rough-in and trim kit,  
to be ordered separately.