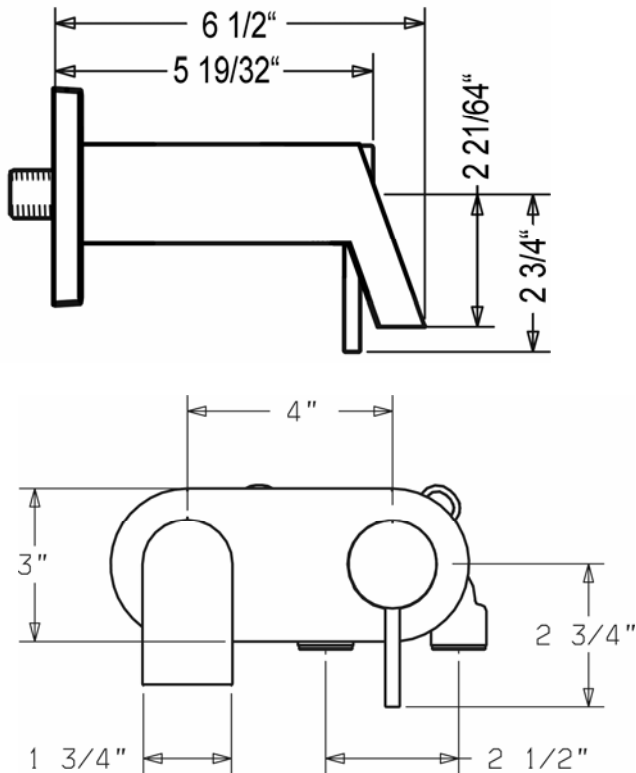




HANSASTELA Tub Filler 5783 2101 0017



Product Specification:

Wall mounted, single lever tub filler
Concealed installation body and trim kit included

Flow Rate:
5.5gpm@60psi

Finishes Offered:
Chrome