

Side

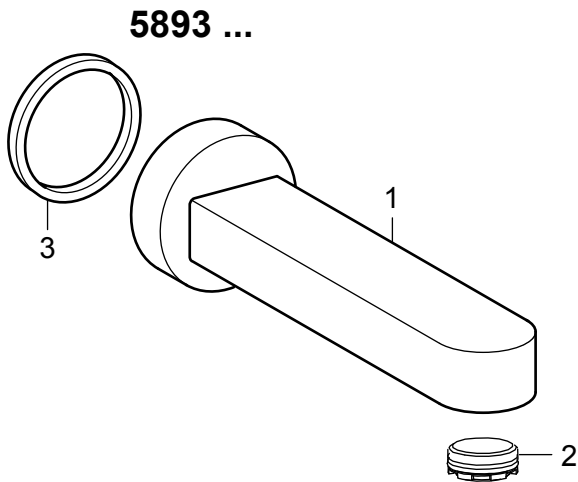
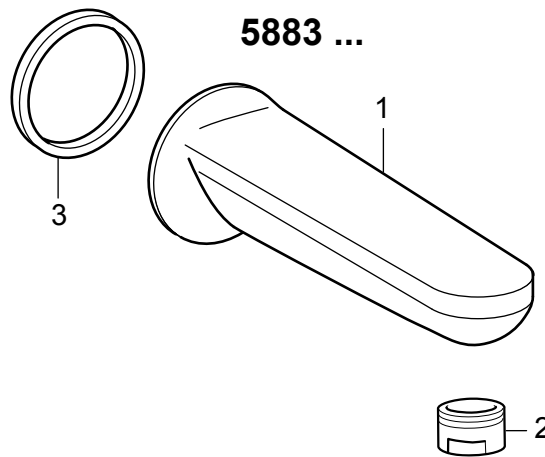
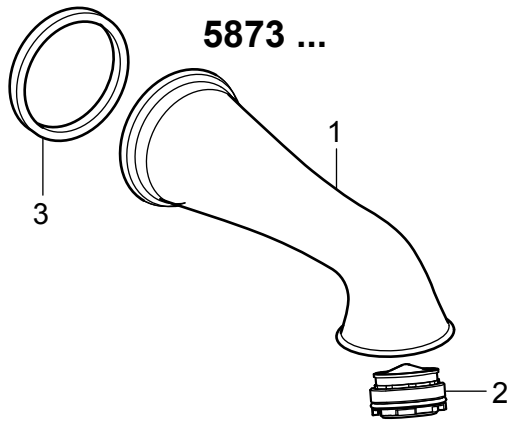
S 00.13.4



HANSA

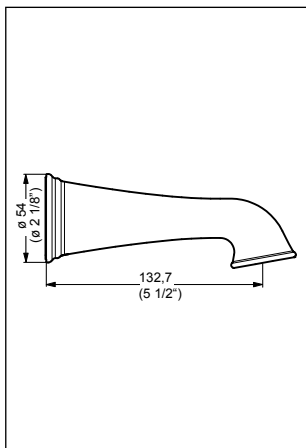
Sigmaringer Straße 107
70567 Stuttgart
Postfach 81 02 40
70519 Stuttgart

Telefon: 07 11/16 14-0
Telefax: 07 11/16 14-3 68
www.hansa.de



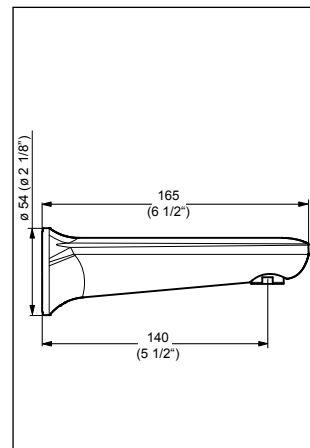
Bathtub spout 1/2"
HansaClassic

Nr. 5873 2100 Starting in 7/08



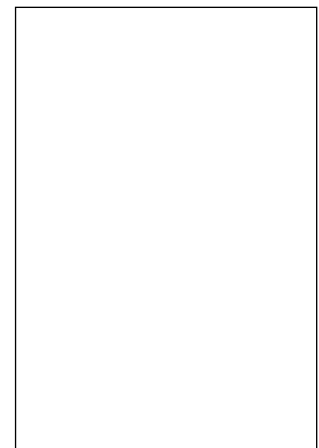
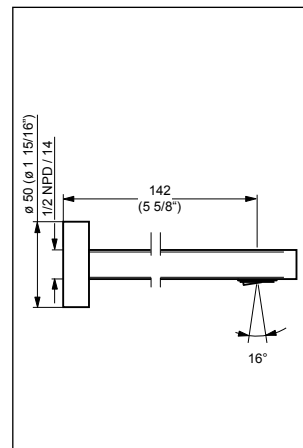
Bathtub spout 1/2"
HansaStyle

Nr. 5883 2100 Starting in 7/08



Bathtub spout 1/2"
HansaForm

Nr. 5893 2100 Starting in 7/08





Sigmaringer Straße 107
70567 Stuttgart
Postfach 81 02 40
70519 Stuttgart

Telefon: 07 11/16 14-0
Telefax: 07 11/16 14-3 68
www.hansa.de



HANSA

Side

S 00.13.4

Bathtub spout 1/2" FPT, HansaClassic

		5873 . . .	chrome	brushed nickel
Pos.	Designation		5873 2100 0017	5873 2100 3217
1.	Classic tub spout			
2.	Aerator Cache STD SSR D, M 24 x 1		59 913 602	←
3.	Seal 50 x 45 x 2,5		59 913 603	←

Bathtub spout 1/2" FPT, HansaStyle

		5883 . . .	chrome	brushed nickel
Pos.	Designation		5883 2100 0017	5883 2100 3217
1.	Style tub spout			
2.	Aerator MS6035 Hight Flow M 20 x 1		59 913 604	←
3.	Seal 50 x 45 x 2,5		59 913 603	←

Bathtub spout 1/2" FPT, HansaForm

		5893 . . .		
Pos.	Designation		5893 2100 0017	5893 2100 3217
1.	Form tub spout			
2.	Aearor Cache Slim SSR, M 24 x 1		59 913 519	←
3.	Seal 48 x 42 x 2,5		59 913 536	←

● = Ersatzteil auf Extrablatt dargestellt

Angaben unverbindlich, Änderungen vorbehalten