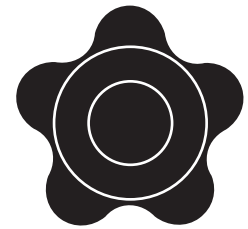
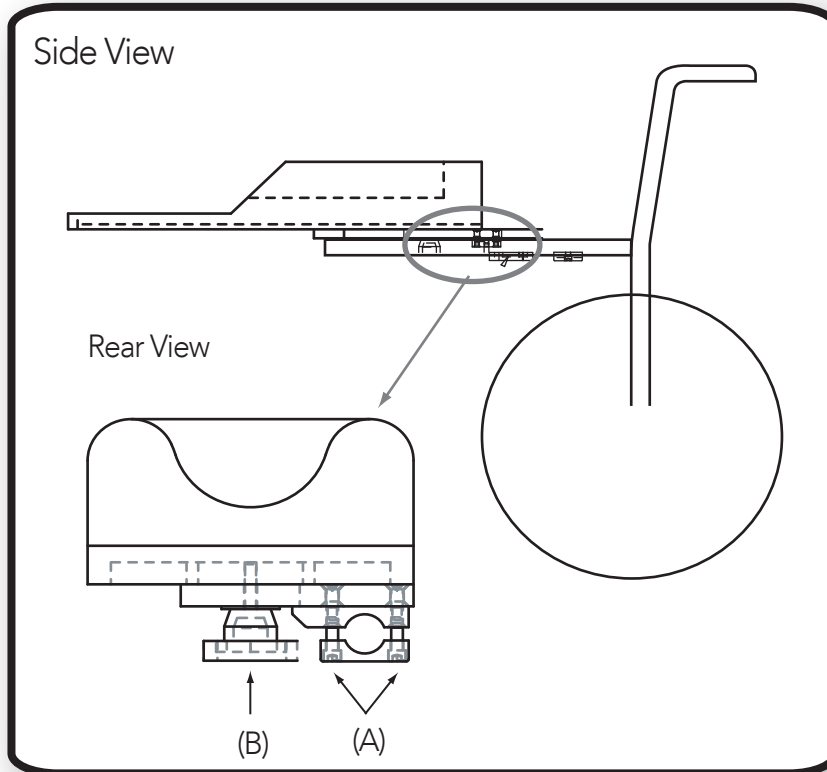


ROTATING INTERLOCK MOUNT

Comfort Arm®, Smart Arm, DuraSoft Half Tray, and Swing Clear Half Tray

Diagram 1 (example shown: Comfort Arm)



Adjustment Knob (B)

- 1** Remove existing armrest from wheelchair.
- 2** Take the 2 screws (A) out of bottom clamp. Mount top half of clamp that is connected to base plate to top of arm rest tube. Reinstall bottom damp with screws.
- 3** To adjust angle or swing unit away, loosen adjustment knob (B) and mount to desired position. Tighten down adjustment knob when unit is in desired position.