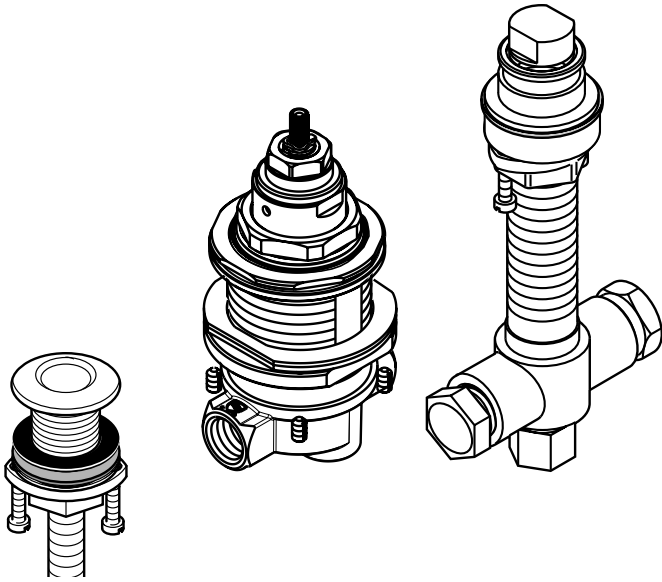


Rough, 3-hole Thermostatic Tub Filler

04124181

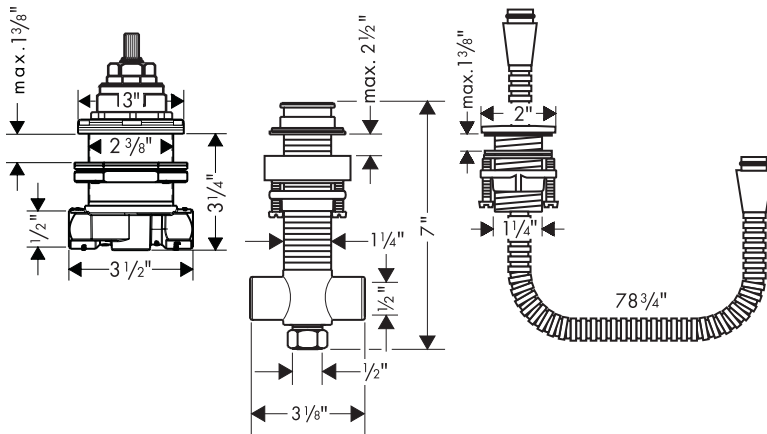


Product Features

- For deck mounting
- Includes thermostatic mixing valve with volume control and integrated 2-way diverter, spout tee
- Maximum output temperature can be reset to comply with local plumbing codes
- 1/2" female NPT inlets
- Includes deck-mounted holder and hose set for handshower

Required Accessories

- 3-hole thermostatic tub filler trim kit – many styles available



The measurements shown are for reference only.

Products and specifications shown are subject to change without notice.

Specification sheet revised 1/2009

hansgrohe