

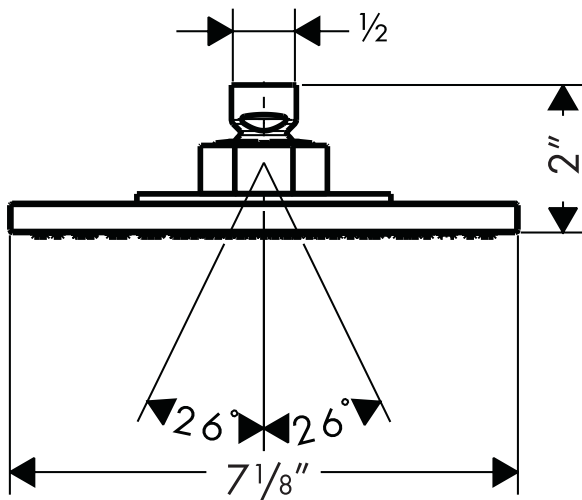
## Product Features

- Unique square shape
- Solid brass
- 1/2" female inlet
- Rubit™ cleaning system
- 107 no-clog spray channels
- 2.5 gpm

## Code Compliance

This unit meets or exceeds the following:

- ASME A112.18.1
- CSA B125.1
- Listed by IAPMO
- Approved for use in Massachusetts



## Available Finishes

Chrome

27404001

Brushed Nickel

27404821

The measurements shown are for reference only.

Products and specifications shown are subject to change without notice.

Specification sheet revised 2/2008