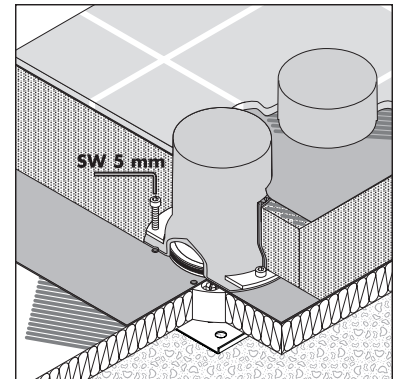
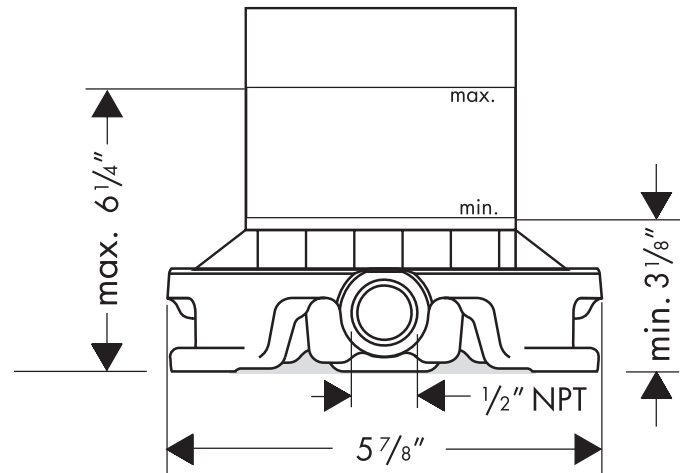
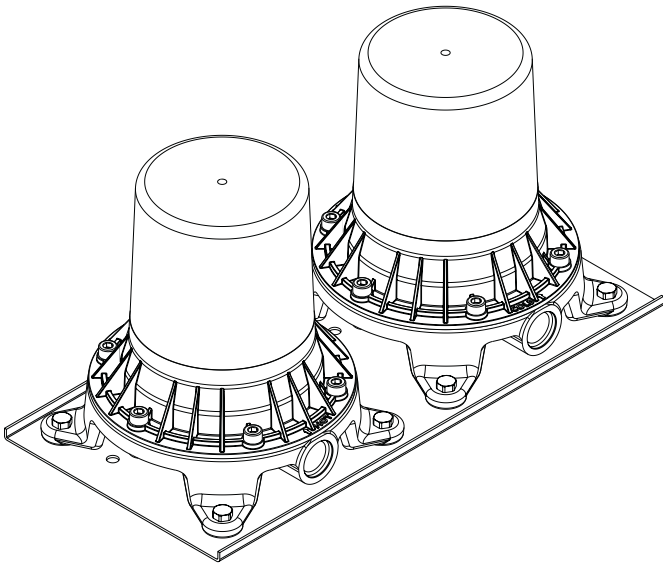


Axor Montreux Free-standing Tub Filler Rough 16549181



Product Specification

For use with Axor Montreux free-standing tub filler 16547XX1

Operating pressure: max. 145 psi
Recommended operating pressure: 14.5 - 72 psi
Hot water temperature: max. 176° F*
Recommended hot water temperature: 120° F - 140° F*
1/2" NPT inlets

This tub filler is not anti-scald. If required by local plumbing code, install remote pressure balance valve 13418181 to the hot and cold supplies within 6' of the rough.

*Please know and follow all applicable local plumbing codes when setting the temperature on the water heater.

hansgrohe