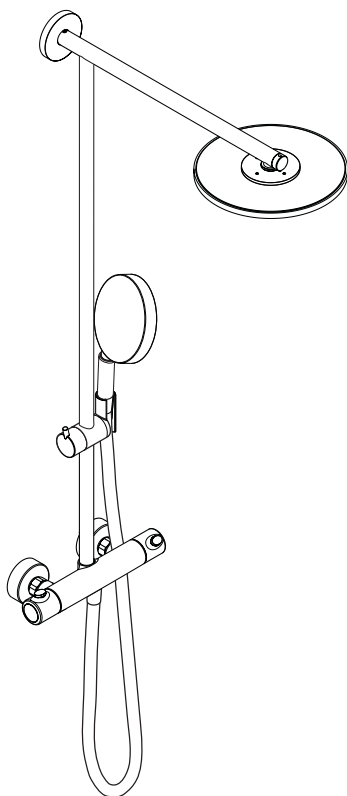


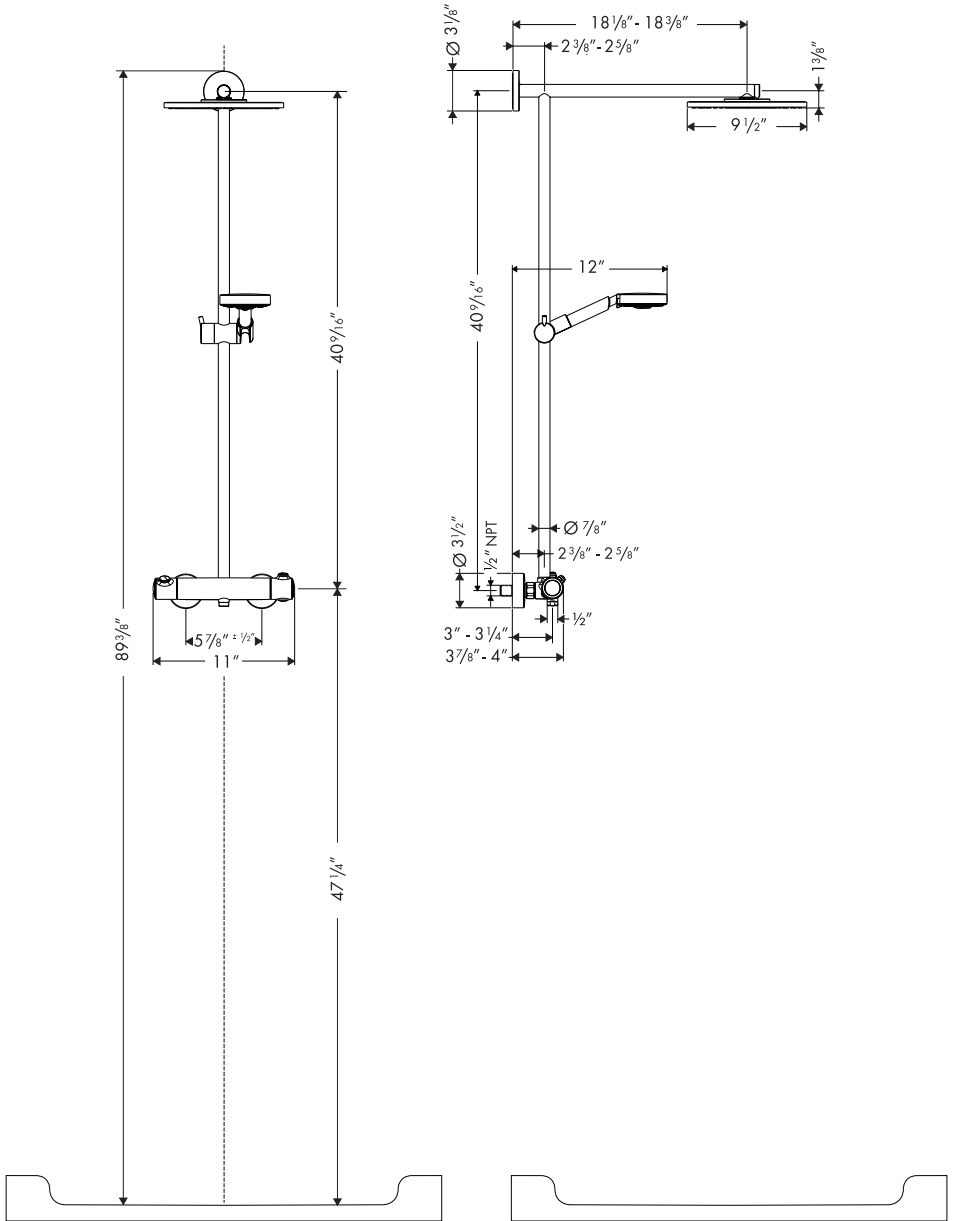
# Installation Instructions / Warranty



**Raindance Showerpipe**  
27160XX1

**hansgrohe**

# Raindance Showerpipe 27160XX1



## Technical Data

Operating pressure:	max. 145 psi
Recommended operating pressure:	14.5 - 72 psi
Test pressure:	232 psi
Hot water temperature:	max. 176° F*
Recommended hot water temp.:	120° F - 140° F*
Connections distance:	5 7/8"
Connections ½ NPT:	cold right - hot left
Protection against back siphonage provided by check valves.	

\*Please know and follow all applicable local plumbing codes when setting the temperature on the water heater. In Massachusetts, the water heater may be set no higher than 112°F.

## Installation Considerations

This unit is suitable for installation on solid surfaces such as tile, dense natural stone, etc. The wall should be flat, without protruding tiles, joints, etc.

If the Showerpipe is to be installed in a fiberglass or acrylic shower enclosure, the wall must be reinforced at the mounting points.

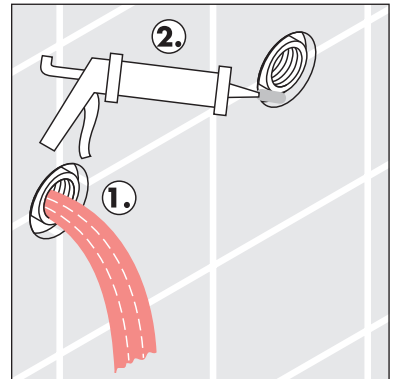
## Roughing In

Install 1/2" NPT female fittings, recessed 3/8" behind the surface of the finished wall for the hot and cold supplies. They should be positioned 5 7/8" apart on center.

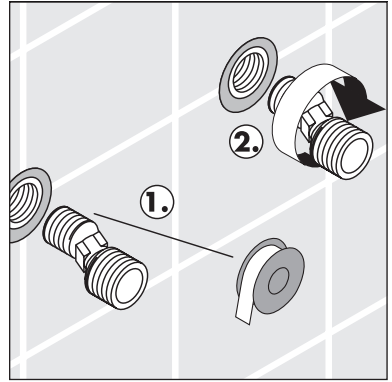
The finished wall surface should be installed and made watertight prior to installation of the Showerpipe.

## Installation

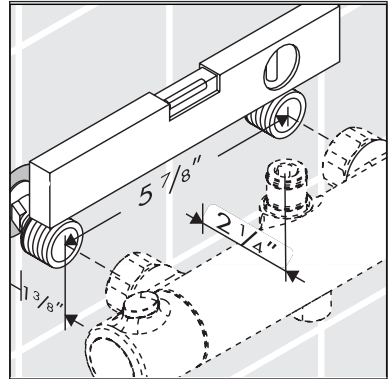
Flush the hot and cold supplies thoroughly before installing the Showerpipe (1). Seal the wall around the female fittings with waterproof sealant (2).



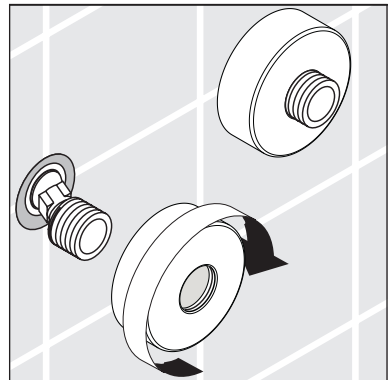
Wrap the threads on the 1/2" side of the ball s-union with Teflon tape. Screw the ball s-unions into the female fittings.



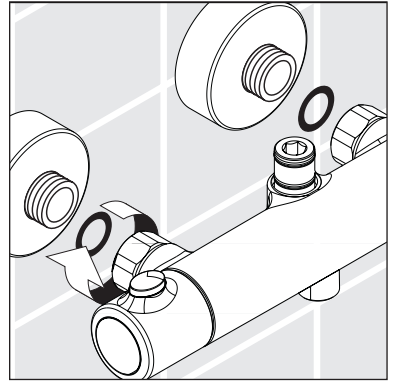
Make sure that the ball s-unions are level. The end of the ball s-union should extend 1 3/8" outside the surface of the finished wall.



Install the escutcheons.

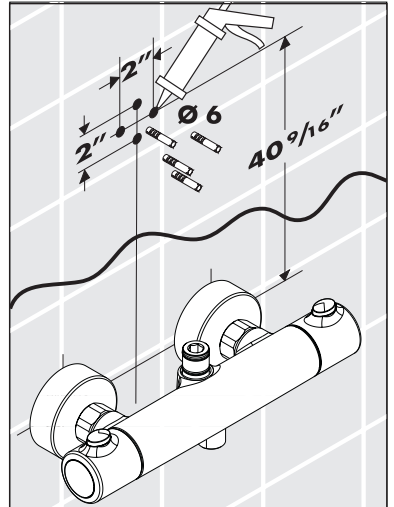


Install the washers into the inlets on the valve body. Install the connecting threads on the ball s-unions.



Drill the holes for the shower arm with a 6 mm bit.

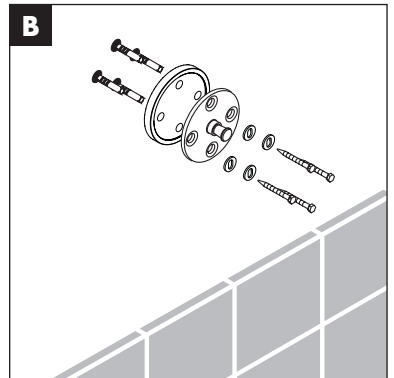
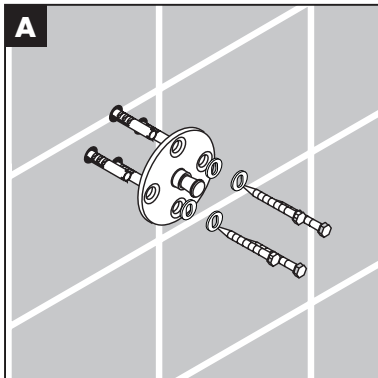
Install the anchors. Seal the wall around the anchors with waterproof sealant.



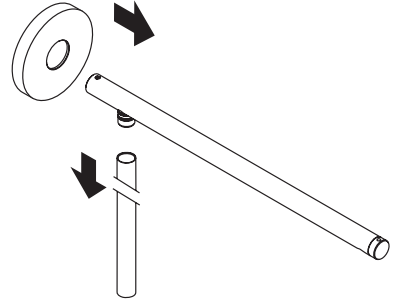
Install the shower arm mounting plate with the included screws and washers (A).

**OR**

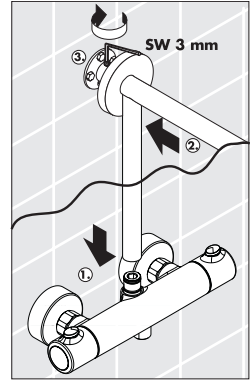
If the tile does not go all the way up the wall, install the mounting plate with the tile matching disk (B).



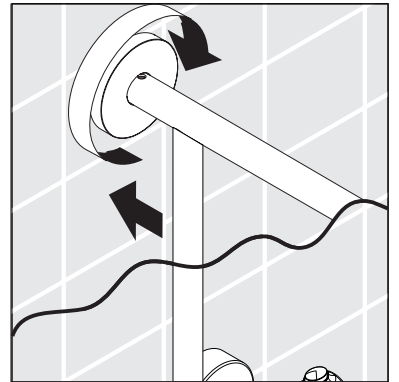
Push the inlet port of the shower arm down into the shower pipe. Push the escutcheon onto the end of the shower arm.



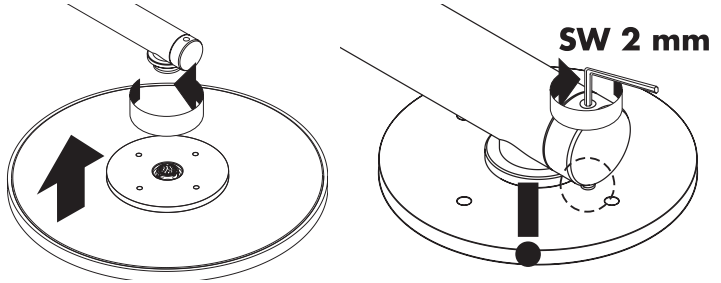
Push the shower pipe firmly over the valve outlet. Push the shower arm assembly over the mounting plate. Tighten the set screw with the enclosed 3 mm Allen wrench.



Thread the escutcheon over the mounting plate.



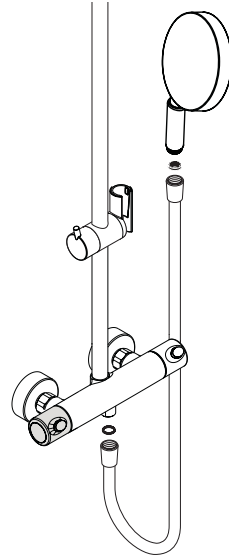
Push the showerhead over the outlet on the shower arm. Rotate the showerhead counter-clockwise. Tighten the set screw with a 2 mm Allen wrench.



Install the handshower: Place the black rubber hose washer in one end of the hose. Screw this end to the handshower port on the valve. Place the screen washer in the other end of the hose. Screw this end to the handshower. Place the handshower in the holder.

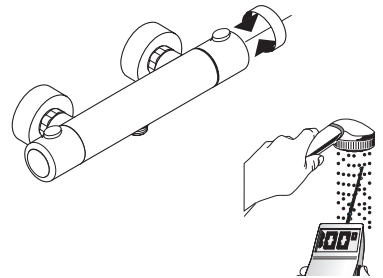
Set the high temperature limit stop (optional).

Justify the handle.

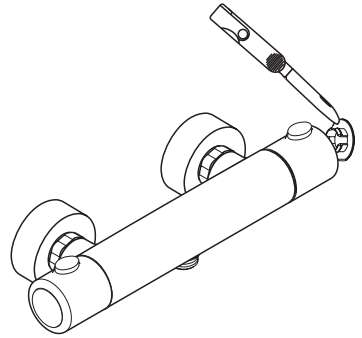


## Justify the Handle

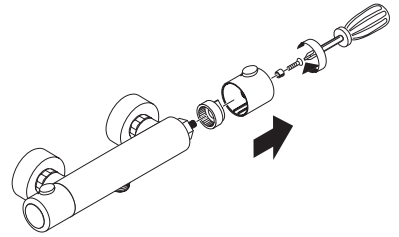
Turn the water on to the handshower. Turn the thermostat until the output water is 100°.



Remove the screw cover.



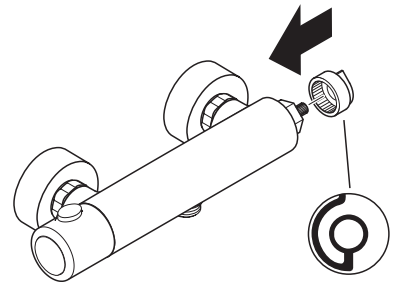
Remove the handle and safety set.



Replace the safety set so that it is oriented as shown in the diagram.

Replace the handle so that the safety stop override button is at the 12:00 position. Tighten the handle screw.

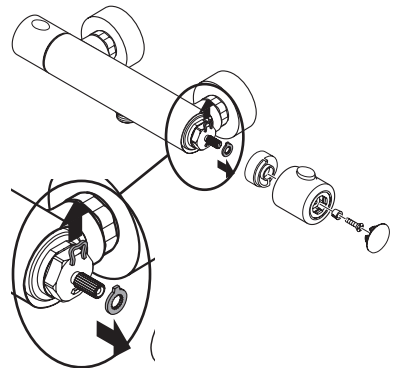
Replace the screw cover.



### **Set the High Temperature Limit Stop** (Optional)

Remove the handle and safety set.

Remove the clip and the safety stop ring from the thermostatic valve stem.

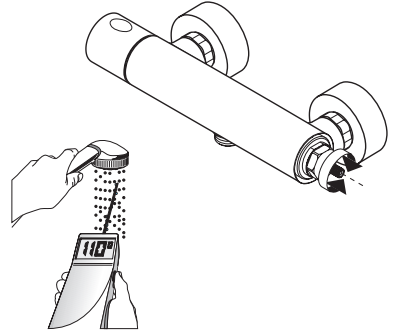




Turn the water on to the handshower.

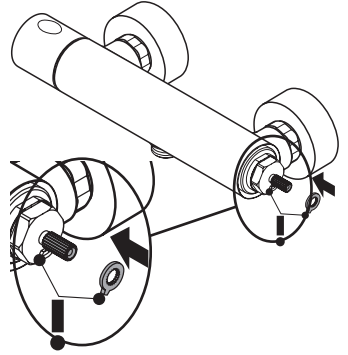
Turn the thermostatic valve stem until the output water is 110°\*.

Turn the water off.



Replace the stop ring so that it is against the stop. Replace the clip.

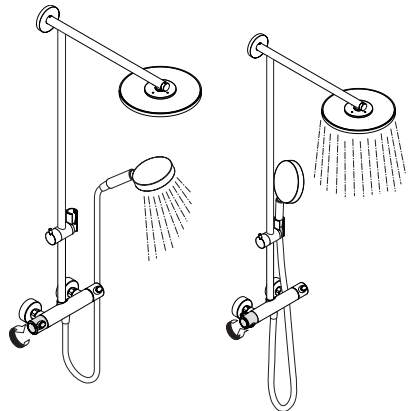
Justify the handle.



## User Instructions:

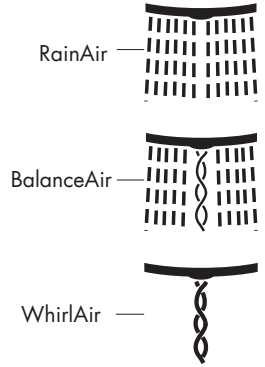
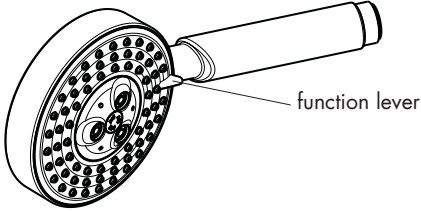
Turn the temperature control handle to the rear to make the water cooler. Turn it to the front to make the water warmer. The handle will stop when the safety stop override button is at the top, and the output water is 100°F. To obtain water hotter than 100°, press the safety stop override button, and continue turning the handle to the front.

Turn the diverter handle to the rear to obtain water from the showerhead, to the front to obtain water to the handshower.



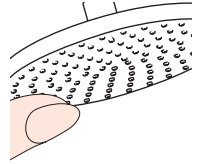
## Using the handshower:

The handshower has 3 spray modes: RainAir, BalanceAir, and WhirlAir. Push the function lever until the desired spray mode is achieved.

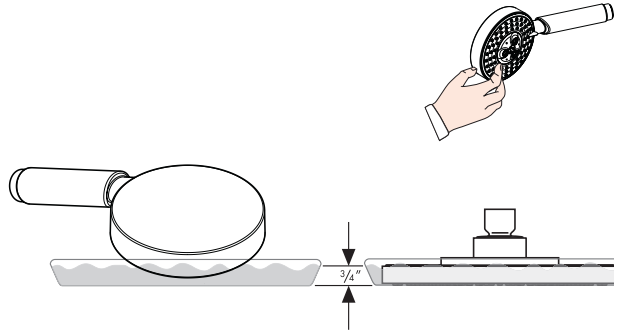


## Scale Removal

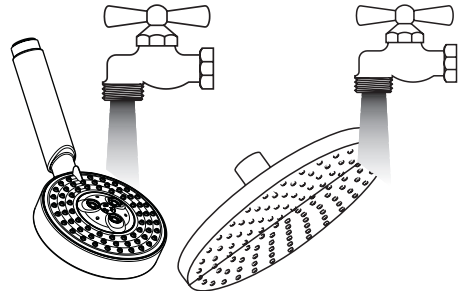
The showerhead and the handshower use the Rubit™ self cleaning system. If scale deposits are noticed in the spray channels, rub across the channels with a finger or a sponge to dislodge the deposits.



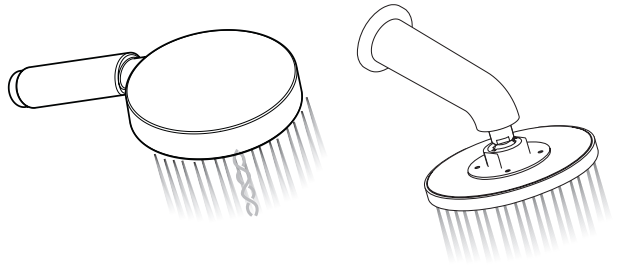
If scale deposits are noticed on the spray face, use a commercial scale remover, such as Lime-Away or CLR. Dilute the remover as directed on the label instructions. Pour about 3/4" of the solution into a shallow dish. Soak the spray face in the solution for the amount of time specified in the label instructions.



Rinse thoroughly when finished.



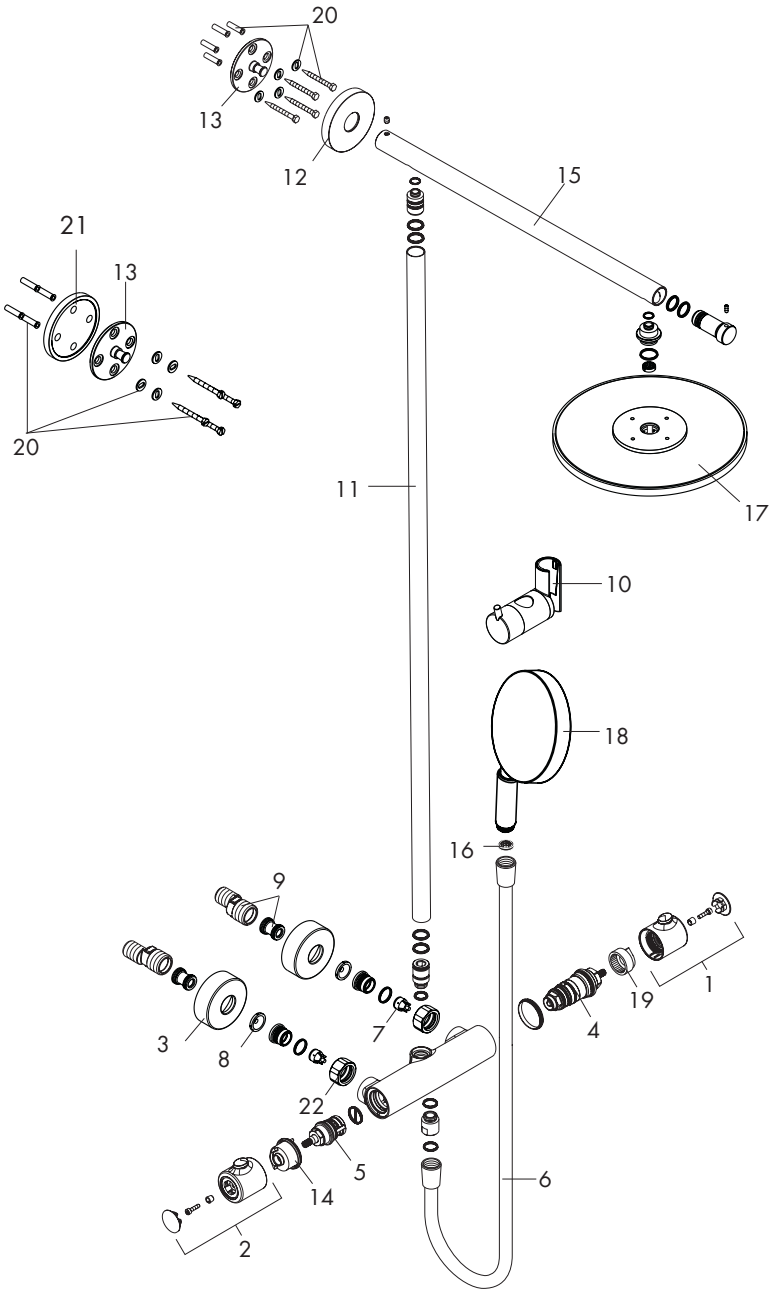
Reinstall and allow to flush for at least one minute.



## Troubleshooting

<b>Problem</b>	<b>Possible Cause</b>	<b>Solution</b>
Showerhead or handshower drips for several minutes after the unit is turned off	Normal clearing of showerhead or handshower	Not a problem
Showerhead or handshower drips constantly after the unit is turned off	Shut off unit is dirty or faulty	Replace shut off unit
The unit outputs hot water and cold water, but not mixed water	The hot and cold supplies are reversed	Correct the plumbing
Output water is not hot enough	Handle is not justified	Justify handle
	High temperature limit stop not set correctly	Reset high temperature limit stop
	Thermostat cartridge is faulty	Replace thermostat cartridge
Insufficient water volume	Thermostat cartridge is dirty	Clean filter screens on thermostat cartridge

# Replacement Parts



1	handle for thermostat	96618XX1
2	handle	96619XX0
3	escutcheon	96467XX0
4	thermostat cartridge	94282000
5	shut off unit with selector	96509000
6	hose	28276XX0
7	check valve	96737000
8	filter packing	96922000
9	ball s-unions	94140001
10	handshower holder	97651XX0
11	riser	96770XX0
12	escutcheon	98672XX0
13	wall flange	98673XX0
14	safety set	98674000
15	shower arm	98675XX0
16	screen washer	94246000
17	showerhead	28494XX1
18	handshower	28504XX1
19	safety set	95041000
20	mounting kit	98716000
21	tile matching disk	98681000
22	connecting thread	96157XX0

XX = color

00 = chrome

82 = brushed nickel

# Cleaning Recommendation for Hansgrohe Products

Modern faucetry and shower products utilize a combination of materials to comply with the needs of the market with regard to design and functionality.

To avoid damage, it is necessary to use some caution when cleaning. Damage caused by improper treatment is not covered under the Hansgrohe warranty.

## Cleaning Materials for Faucets and Showers

- To remove lime scale, use only products made specifically for that purpose. Always follow the manufacturer's instructions when using.
- Do not use cleaners that contain hydrochloric, formic, acetic, or phosphoric acids, as these will cause considerable damage to finishes and to plastic components.
- Never mix cleaning materials.
- Never use cleaners containing abrasives. Do not use abrasive cleaning cloths, pads, or sponges.

## Cleaning Procedures

- Clean your faucets and shower products as and when required. Regular cleaning will prevent scale buildup and water spotting.
- Follow the label instructions. Do not allow any cleaner to remain on the product for longer than necessary.
- When using spray cleaners, spray first onto a sponge or cloth – do not spray directly onto the product.
- After cleaning, rinse thoroughly with clear water to remove any cleaner residue.

## Important

- Soap and shampoo residue can also cause damage to the product. Rinse well with clean water after use.
- If the surface is already damaged, harsh cleaning materials will cause further damage.

# Limited Lifetime Consumer Warranty

This product has been manufactured and tested to the highest quality standards by Hansgrohe, Inc. ("Hansgrohe"). This warranty is limited to Hansgrohe products which are purchased by a consumer in the United States after March 1, 1996, and installed in either the United States or Canada.

## WHO IS COVERED BY THE WARRANTY

This warranty extends to the original consumer purchaser only.

## WHAT IS COVERED BY THE WARRANTY

This warranty covers only your Hansgrohe manufactured product. Hansgrohe warrants this product against defects in material or workmanship as follows: Hansgrohe will repair at no charge for parts only or, at its option, replace any product or part of the product which proves defective because of improper workmanship and/or material, under normal installation, use, service and maintenance. If Hansgrohe is unable to provide a replacement and repair is not practical or cannot be timely made, Hansgrohe may elect to refund the purchase price in exchange for the return of the product.

## LENGTH OF WARRANTY

Replacement or repaired parts of products will be covered for the term of this warranty as stated in the following two sentences. If you are a consumer who purchased the product for use primarily for personal, family, or household purposes, this warranty extends for as long as you own the product and the home in which the product is installed. If you purchased the product for use primarily for any other purpose, including, without limitation, a commercial purpose, this warranty extends only (i) for 1 year, with respect to Interaktiv and Retroaktiv products, and (ii) for 5 years, with respect to AXOR, ShowerPower and Pharo products.

THIS WARRANTY DOES NOT COVER, AND HANSGROHE WILL NOT PAY FOR:

- A. Conditions, malfunctions or damage not resulting from defects in material or workmanship.
- B. Conditions, malfunctions or damage resulting from (1) improper installation, improper maintenance, misuse, abuse, negligence, accident or alteration, or (2) the use of abrasive or caustic cleaning agents or "no rinse" cleaning products, or the use of the product in any manner contrary to the product instructions.
- C. Labor or other expenses for the disconnection or return of the product for warranty service, or for installation or reinstallation of the product.
- D. Accessories or related products not manufactured by Hansgrohe.

#### TO OBTAIN WARRANTY SERVICE

Contact your Hansgrohe retailer, or write to Technical Service at:

Hansgrohe Inc.  
1492 Bluegrass Lakes Parkway  
Alpharetta GA 30004

Or, call Hansgrohe toll-free at (800) 334-0455.

In requesting warranty service, you will need to provide

- 1. The sales receipt or other evidence of the date and place of purchase.
- 2. A description of the problem.
- 3. Delivery of the product or the defective part, postage prepaid and carefully packed and insured, to Hansgrohe Inc. 1492 Bluegrass Lakes Parkway, Alpharetta, Georgia 30004, Attention: Technical Service, if required by Hansgrohe.

When warranty service is completed, any repaired or replacement product or part will be returned to you postage prepaid.

#### EXCLUSIONS AND LIMITATIONS

REPAIR OR REPLACEMENT (OR, IN LIMITED CIRCUMSTANCES, REFUND OF THE PURCHASE PRICE) AS PROVIDED UNDER THIS WARRANTY IS THE EXCLUSIVE REMEDY OF THE PURCHASER. HANSGROHE NEITHER ASSUMES NOR AUTHORIZES ANY PERSON TO CREATE FOR IT ANY OBLIGATION OR LIABILITY IN CONNECTION WITH THIS PRODUCT.

HANSGROHE SHALL NOT BE LIABLE TO PURCHASER OR ANY PERSON FOR ANY INCIDENTAL, SPECIAL, OR CONSEQUENTIAL DAMAGES, ARISING OUT OF BREACH OF THIS WARRANTY OR ANY IMPLIED WARRANTY (INCLUDING MERCHANTABILITY).

Some States do not allow the exclusion or limitation of incidental or consequential damages, so the above limitation or exclusion may not apply to you.

This warranty gives you specific legal rights, and you may have other rights which vary from State to State.

You may be required by law to give us a reasonable opportunity to correct or cure any failure to comply before you can bring any action in court against us under the Magnuson-Moss Warranty Act.

#### PRODUCT INSTRUCTIONS AND QUESTIONS

Upon purchase or prior to installation, please carefully inspect your Hansgrohe product for any damage or visible defect. Prior to installing, always carefully study the enclosed instructions on the proper installation and the care and maintenance of the product. If you have questions at any time about the use, installation, or performance of your Hansgrohe product, or this warranty, please call or write to us at the toll-free number and address printed above.

**hansgrohe**

Hansgrohe, Inc. • 1490 Bluegrass Lakes Parkway • Alpharetta, GA 30004  
Tel. 770 360-9880 • Fax 770 360 9887

**[www.hansgrohe-USA.com](http://www.hansgrohe-USA.com)**