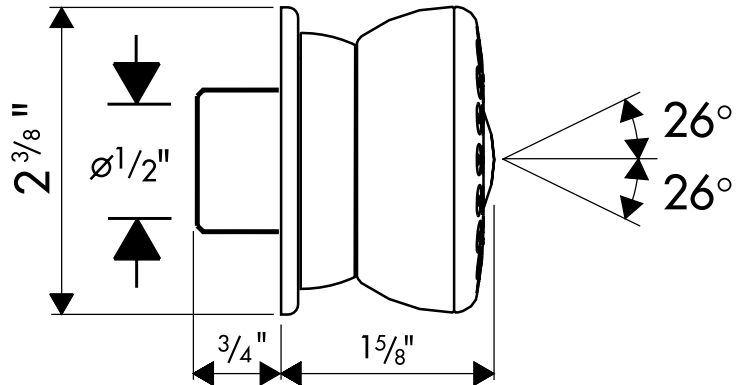
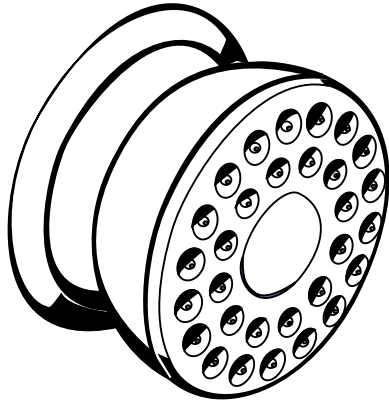


Bodyvette™ Bodyspray 28466

Available in Chrome, Chrome/Gold, Steel, Satinox, Brushed Nickel, Satin Chrome, Polished Brass, Brushed Nickel/Polished Brass



Product Specification

This installation requires a 1/2" male threaded pipe fitting **recessed 3/8"** from the surface of the finished wall. The plumber should install a properly anchored 1/2" female pipe fitting (i.e. a drop-ear ell) recessed into the wall, into which a brass pipe nipple of proper length can be fitted once the finished wall is complete.

Flow Chart

