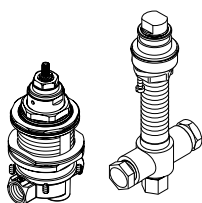
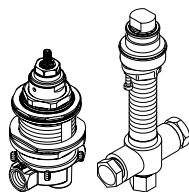


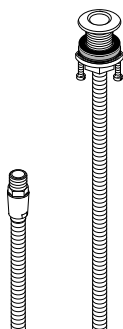
Installation Instructions / Warranty



04125181

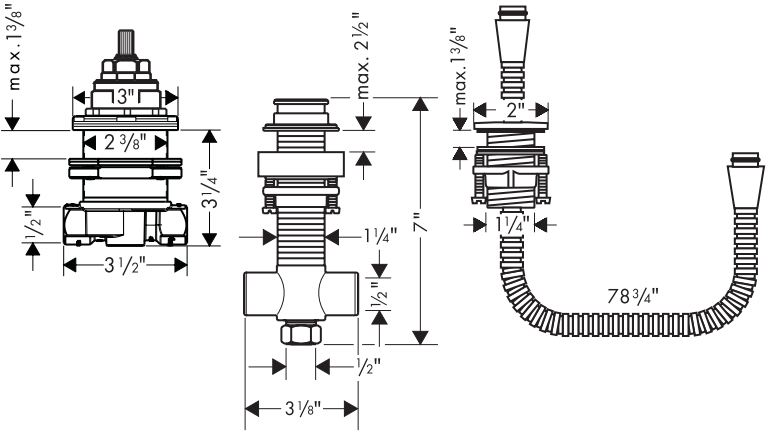


04124181



hansgrohe

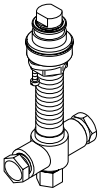
2-Hole Thermostatic Roman Tub Rough 04125181
 3-Hole Thermostatic Roman Tub Rough 04124181



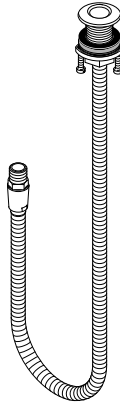
Model 04125181 includes the ThermoBalance deck valve and the spout tee.
 Model 04124181 includes the ThermoBalance deck valve, spout tee, and hose pull-out set.



ThermoBalance deck valve



Spout tee



Hose pull-out set
 (04124181 only)

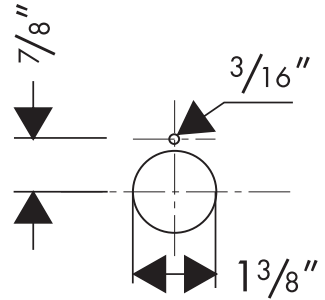
Technical Specification

Recommended pressure	45 - 72 psi
Maximum hot water temp.	165° F*
Recommended hot water temp.	120° - 140° F*
Flow rate @ 44 PSI	8 gpm
Safety stop	100° F
1/2" female NPT inlets on mixing valve	
Thermostatic mixing valve with integrated volume control and diverter	
High temperature limit stop may be reset to comply with local plumbing codes – see trim instructions**	
Maximum mounting surface thickness	
valve	1 3/8"
spout tee	2 1/2"
handshower holder (04124181 only)	1 3/8"
Hole size in mounting surface	
valve	2 3/8"
spout tee	1 3/8"
anti-twist pin for spout tee	3/16"
handshower holder (04124181 only)	1 3/8"

*Know and follow all applicable local plumbing codes when setting the temperature on the water heater.

**In Massachusetts, the maximum output temperature of the mixing valve can be no higher than 112° F.

Important: The spout tee requires a 3/16" hole for the anti-twist pin.



Installation Considerations

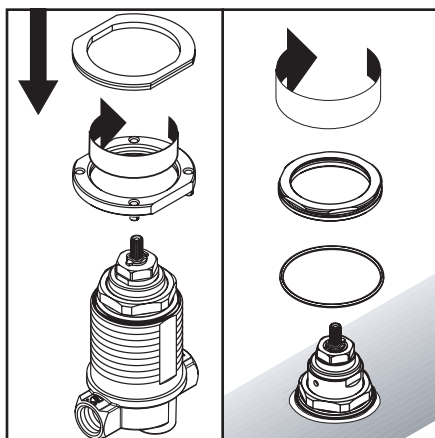
- For best results, Hansgrohe recommends that this unit be installed by a licensed, professional plumber.
- Please read over these instructions thoroughly before beginning installation. Make sure that you have all tools and supplies needed to complete the installation.
- The mounting surface must be finished and made watertight prior to installation.
- For best service of the ThermoBalance valve, the pressure of the incoming hot water and the pressure of the incoming cold water must be equal.
- Models 04124181 and 04125181 require a 1/2" line to connect the ThermoBalance deck valve to the spout tee.
- **Do not plug either outlet on the ThermoBalance deck valve.** Please note the special piping instruction on page 9 if only one feature is to be installed.
- **Model 04124181 only:** protection against back siphonage provided by check valve. A second check valve is included with the required trim kit.

Install the ThermoBalance deck valve

Install the lower mounting ring and washer. Screw the lower mounting ring to its lowest position.

Insert the rough up through the mounting surface.

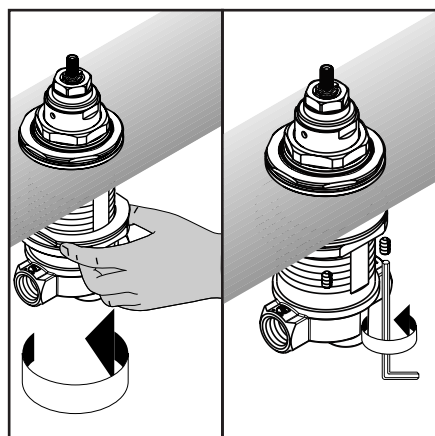
Install the upper mounting ring. Tighten it as far as it will go without forcing it. It will stop at the correct mounting height.



Rest the rough on the mounting surface.

Tighten the lower mounting ring.

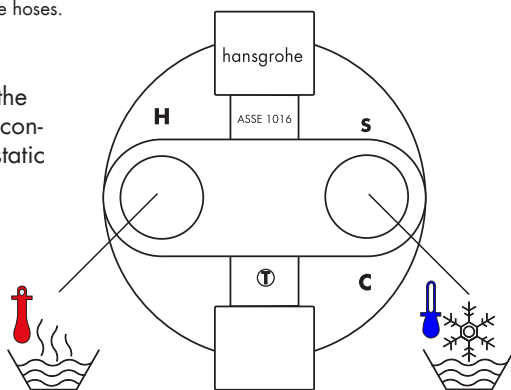
Tighten the tensioning screws using a 3mm Allen wrench.



Install the hot and cold supply lines*

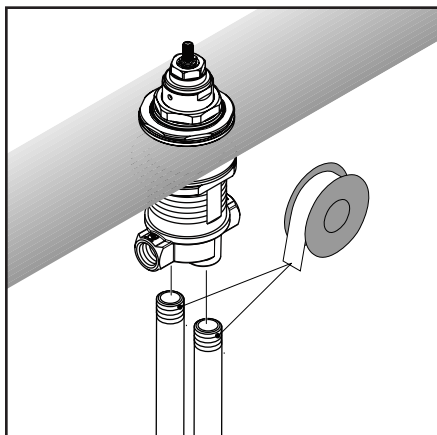
*follow the manufacturer instructions when using flexible hoses.

! The hot supply must be connected to the hot inlet and the cold supply must be connected to the cold inlet or the thermostatic mixing valve cannot work correctly!



Wrap the threads on the hot and cold supply pipes with Teflon tape.

Install the hot and cold supplies on the corresponding inlets.

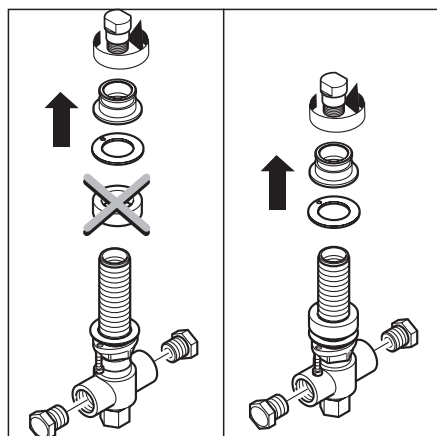


Install the spout tee

Remove the plug, spout adapter, and sealing ring from the spout tee.

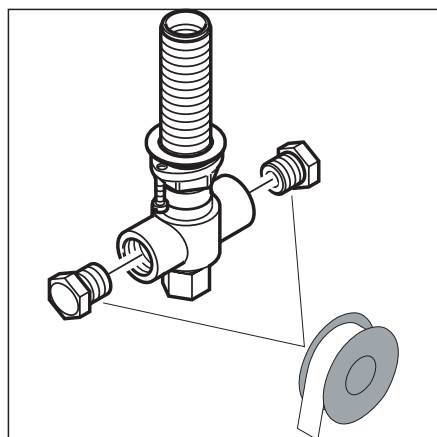
The mounting nut and friction washer remain on the tee.

If the mounting surface is very thin, leave the spacer on the tee as well. Otherwise, it may be discarded.



Wrap the threads on the side port plugs with Teflon tape.

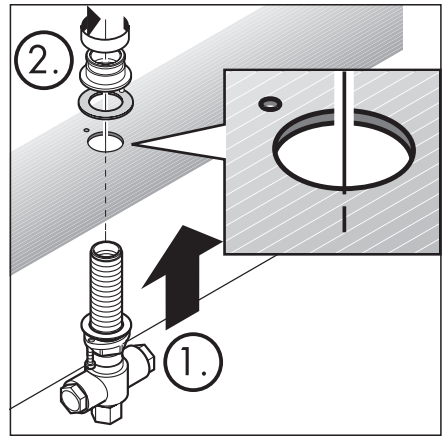
Install the plugs.



Insert the spout tee through the mounting surface (1).

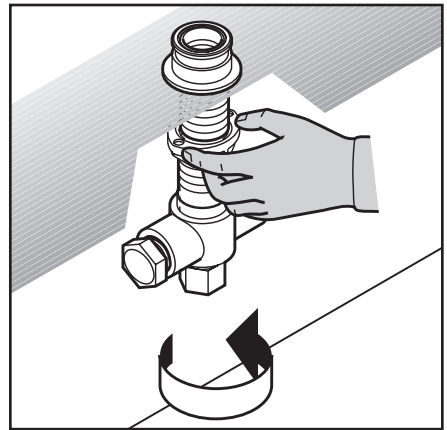
Slide the sealing ring over the spout tee. Install the spout adapter (2).

Do not overtighten the spout adapter or damage may result.

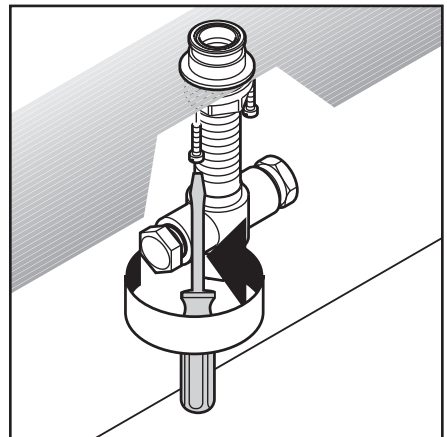


Rest the assembly on the mounting surface so that the anti-twist pin goes into the hole.

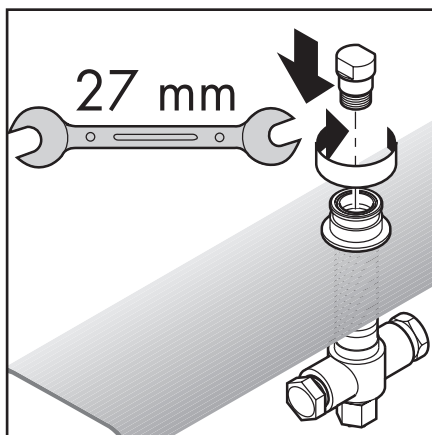
Tighten the mounting nut by hand.



Tighten the tensioning screws.

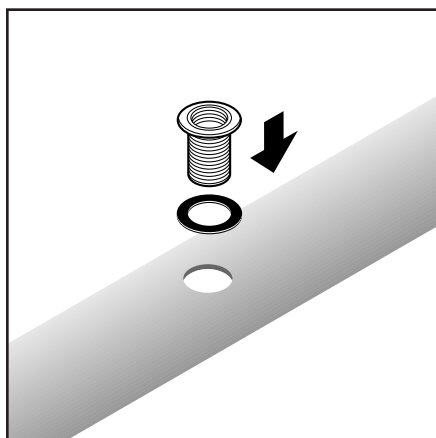


Install the spout plug.



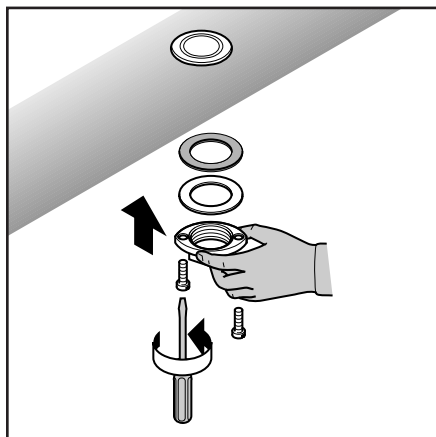
**Install the hose pull-out set
(04124181 only)**

Place the handshower holder and sealing ring on the mounting surface.



Install the friction washer, metal washer, and mounting nut.

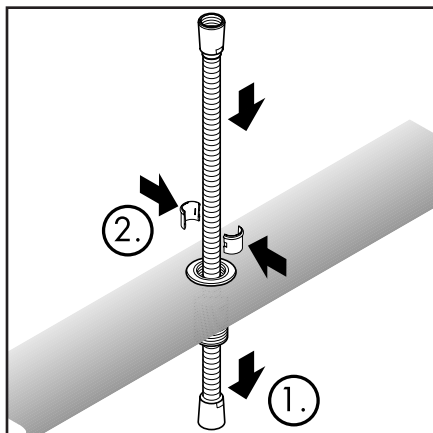
Tighten the mounting nut. Tighten the tensioning screws.



Feed the handshower hose down through the handshower holder (1).

Snap the two halves of the insert around the hose (2).

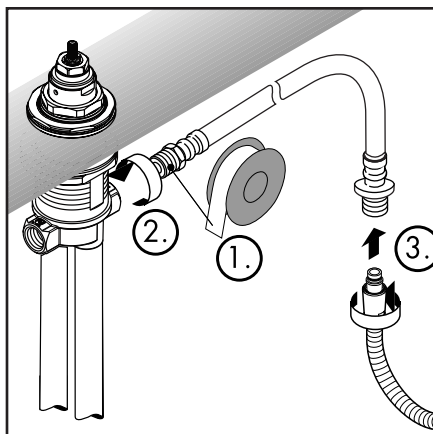
Rest the end of the handshower hose in the holder.



Connect the hose pull-out set to the mixing valve (04124181 only)

Wrap the threads on the high pressure hose with Teflon tape (1). Install this end of the hose on the one of the mixing valve outlets (2).

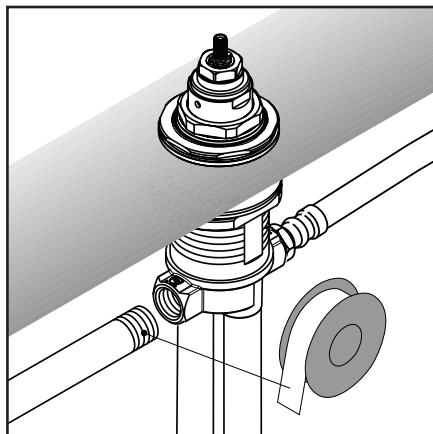
Connect the handshower hose to the high pressure hose (3).



Connect the spout tee to the mixing valve*

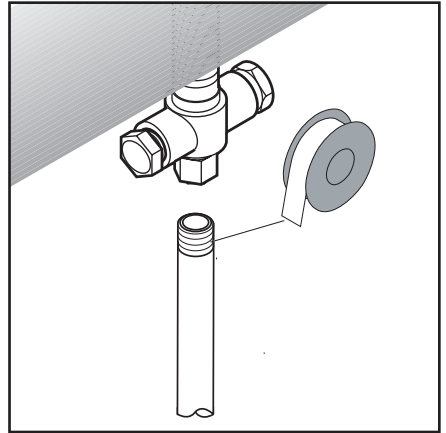
Wrap the threads on the outlet line (not included) with Teflon tape.

Install the line on the mixing valve outlet.



*follow the manufacturer instructions if using a flexible hose

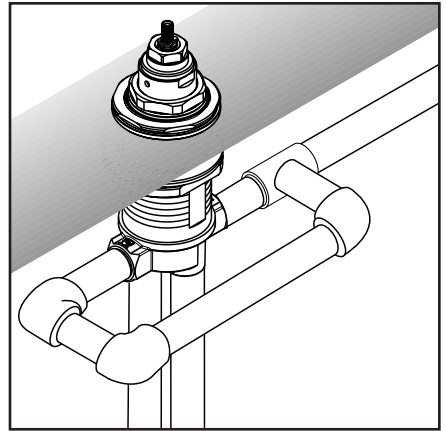
Wrap the threads on the line with Teflon tape.
Install it on the spout tee.



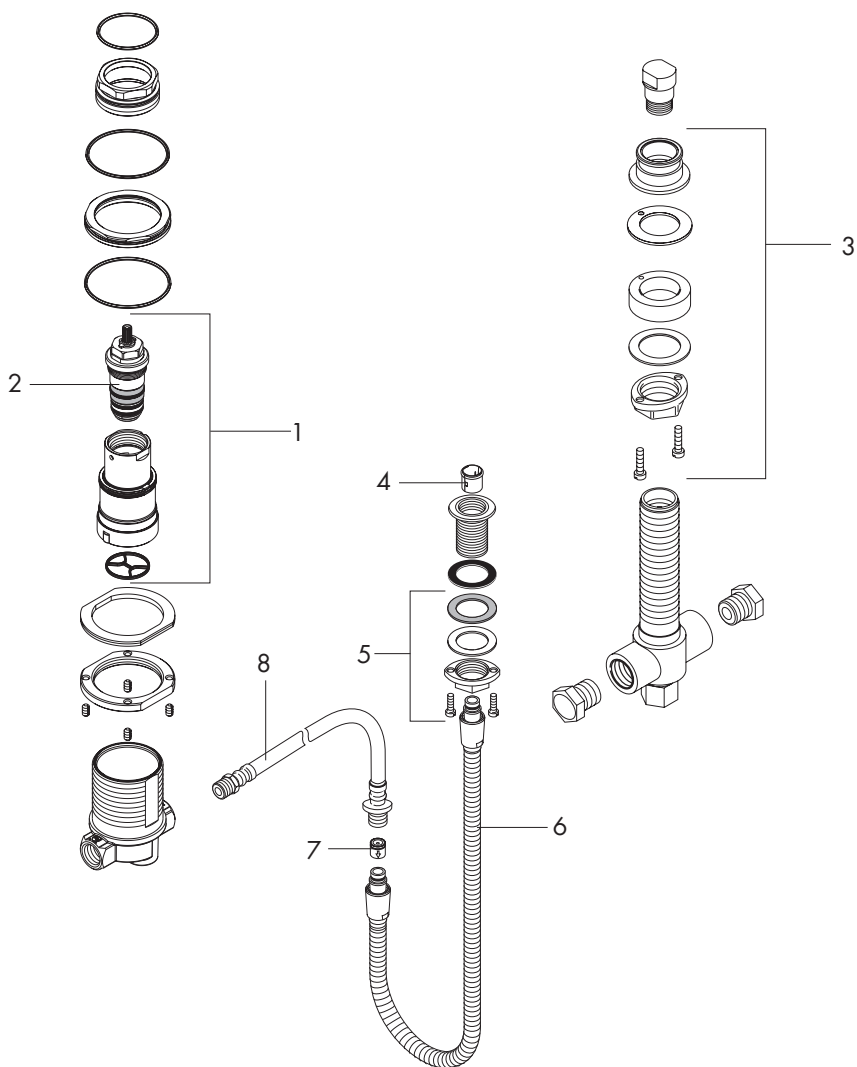
Connect the spout tee to the mixing valve (04125181 only)

If only one outlet is to be used, **do not plug the second outlet**. Tie ("loop") the two outlet lines together.

! **Both outlets must be plumbed!**
Do not plug the second outlet!



Replacement Parts



1	cartridge with shutoff unit	88586000
2	thermostat cartridge	94282000
3	mounting hardware	96080000
4	insert for shower holder	96942000
5	fixation cpl.	13961000
6	hose 78"	97161001
7	check valve	94074000
8	high pressure hose	94174000

Cleaning Recommendation for Hansgrohe Products

Modern lavatory faucets, kitchen faucets, and showers consist of very different materials to comply with the needs of the market with regard to design and functionality. To avoid damage and returns, it is necessary to consider certain criteria when cleaning.

Cleaning Materials for Faucets and Showers

Acids are a necessary ingredient of cleaning materials for removing lime, however please pay attention to the following points when cleaning faucets and showers:

- Only use cleaning materials which are explicitly intended for this type of application.
- Never use cleaning materials which contain hydrochloric, formic, phosphoric, or acetic acid, as they cause considerable damage.
- Never mix one cleaning material with another.
- Never use cleaning materials or appliances with an abrasive effect, such as unsuitable cleaning powders, sponge pads, or micro fiber cloths.

Cleaning Instructions for Faucets and Showers

Please follow the cleaning material manufacturer's instructions. In addition, pay attention to the following points:

- Clean the faucets and showers as and when required
- Use the amount of cleaning product and the amount of time recommended by the manufacturer. Do not leave the cleaner on the fixture longer than necessary.
- Regular cleaning can prevent calcification.
- When using spray cleaners, spray first onto a soft cloth or sponge. Never spray directly onto the faucet as droplets can enter openings and gaps and cause damage.
- After cleaning, rinse thoroughly with clean water to remove any cleaner residue.

Important

Residues of liquid soaps, shampoos, and shower foams can also cause damage, so rinse with clean water after using.

Please note: if the surface is already damaged, the effect of cleaning materials will cause further damage.

Components with damaged surfaces must be replaced or injury could result.

Damage caused by improper treatment is not covered under the warranty.

Limited Lifetime Consumer Warranty

This product has been manufactured and tested to the highest quality standards by Hansgrohe, Inc. ("Hansgrohe"). This warranty is limited to Hansgrohe products which are purchased by a consumer in the United States after March 1, 1996, and installed in either the United States or Canada.

WHO IS COVERED BY THE WARRANTY

This warranty extends to the original consumer purchaser only. This warranty is non-transferable.

WHAT IS COVERED BY THE WARRANTY

This warranty covers only your Hansgrohe manufactured product. Hansgrohe warrants this product against defects in material or workmanship as follows: Hansgrohe will repair at no charge for parts only or, at its option, replace any product or part of the product that proves defective because of improper workmanship and/or material, under normal installation, use, service and maintenance. If Hansgrohe is unable to provide a replacement and repair is not practical or cannot be timely made, Hansgrohe may elect to refund the purchase price in exchange for the return of the product.

LENGTH OF WARRANTY

Replacement or repaired parts of products will be covered for the term of this warranty as stated in the following two sentences. If you are a consumer who purchased the product for use primarily for personal, family, or household purposes, this warranty extends for as long as you own the product and the home in which the product is originally installed. If you purchased the product for use primarily for any other purpose, including, without limitation, a commercial purpose, this warranty extends only (i) for 1 year, with respect to Hansgrohe and Commercial products, and (ii) for 5 years, with respect to AXOR products.

THIS WARRANTY DOES NOT COVER, AND HANSGROHE WILL NOT PAY FOR:

- A. Conditions, malfunctions or damage not resulting from defects in material or workmanship.

- B. Conditions, malfunctions or damage resulting from (1) normal wear and tear, improper installation, improper maintenance, misuse, abuse, negligence, accident or alteration, or (2) the use of abrasive or caustic cleaning agents or "no-rinse" cleaning products, or the use of the product in any manner contrary to the product instructions. (3) Conditions in the home such as excessive water pressure or corrosion.
- C. Labor or other expenses for the disconnection, deinstallation, or return of the product for warranty service, or for installation or reinstallation of the product (including but not limited to proper packaging and shipping costs), or for installation or reinstallation of the product.
- D. Accessories, connected materials and products, or related products not manufactured by Hansgrohe.

TO OBTAIN WARRANTY PARTS OR INFORMATION

Contact your Hansgrohe retailer, or contact Technical Service at:

Hansgrohe Inc.
1492 Bluegrass Lakes Parkway
Alpharetta GA 30004
Toll-free (800) 334-0455.

In requesting warranty service, you will need to provide

1. The sales receipt or other evidence of the date and place of purchase.
2. A description of the problem.
3. Delivery of the product or the defective part, postage prepaid and carefully packed and insured, to Hansgrohe Inc. 1492 Bluegrass Lakes Parkway, Alpharetta, Georgia 30004, Attention: Technical Service, if required by Hansgrohe.

When warranty service is completed, any repaired or replacement product or part will be returned to you postage prepaid.

EXCLUSIONS AND LIMITATIONS

REPAIR OR REPLACEMENT (OR, IN LIMITED CIRCUMSTANCES, REFUND OF THE PURCHASE PRICE) AS PROVIDED UNDER THIS WARRANTY IS THE EXCLUSIVE REMEDY OF THE PURCHASER. HANSGROHE NEITHER ASSUMES NOR AUTHORIZES ANY PERSON TO CREATE FOR IT ANY OBLIGATION OR LIABILITY IN CONNECTION WITH THIS PRODUCT.

HANSGROHE SHALL NOT BE LIABLE TO PURCHASER OR ANY PERSON FOR ANY INCIDENTAL, SPECIAL, OR CONSEQUENTIAL DAMAGES, ARISING OUT OF BREACH OF THIS WARRANTY OR ANY IMPLIED WARRANTY (INCLUDING MERCHANTABILITY).

Some States do not allow the exclusion or limitation of incidental or consequential damages, so the above limitation or exclusion may not apply to you. This warranty gives you specific legal rights, and you may have other rights which vary from State to State. You may be required by law to give us a reasonable opportunity to correct or cure any failure to comply before you can bring any action in court against us under the Magnuson-Moss Warranty Act.

PRODUCT INSTRUCTIONS AND QUESTIONS

Upon purchase or prior to installation, please carefully inspect your Hansgrohe product for any damage or visible defect. Prior to installing, always carefully study the enclosed instructions on the proper installation and the care and maintenance of the product. If you have questions at any time about the use, installation, or performance of your Hansgrohe product, or this warranty, please call or write to us or call us toll-free at 800 334 0455.

hansgrohe

Hansgrohe, Inc. • 1490 Bluegrass Lakes Parkway • Alpharetta, GA 30004
Tel. 770-360-9880 • Fax 770-360-9887

www.hansgrohe-usa.com