

## Product Features

- Solid brass holder
- Anti-shatter polymer bottle holds 8 oz.

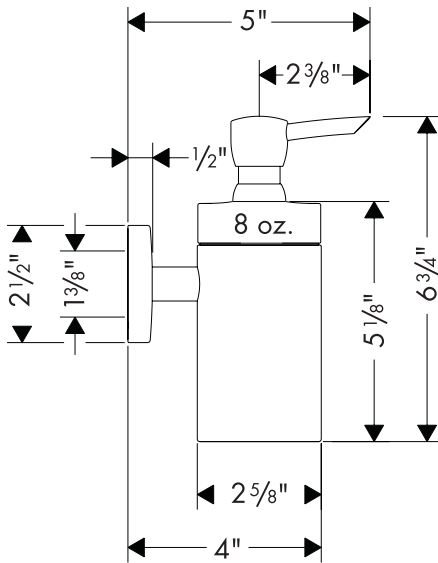
## Available Finishes

Chrome

40514000

Brushed Nickel

40514820



The measurements shown are for reference only.

Products and specifications shown are subject to change without notice.

Specification sheet revised 4/2008