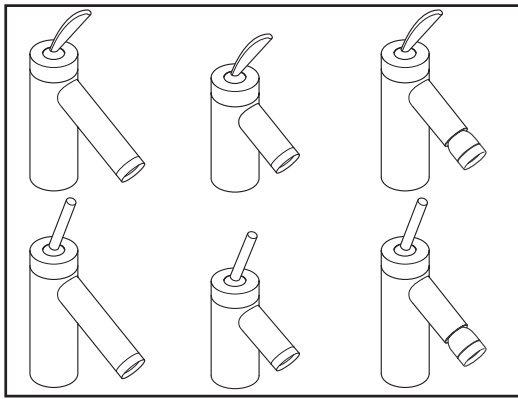


HANSGROHE PRODUCT SERVICE



SINGEL LEVER LAV MIXER SINGEL LEVER BASIN MIXER SINGEL LEVER BIDET MIXER

Ref. No.: 10010XX1/10015XX1/10200XX1
10011XX1/10016XX1/10201XX1

Installation
Starck / Starck Puro

Assembly

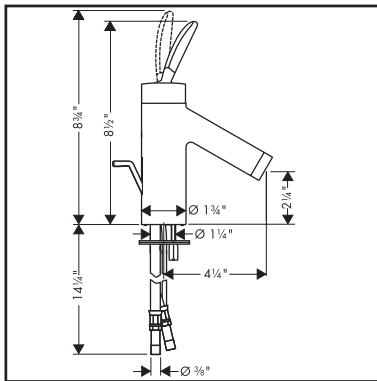
1. Flush pipe lines thoroughly.
2. Place the mixer including the sealing washer in position on the basin.
3. Slip the fixation piece including the washer over the threaded pin and tighten the nut.
4. Connect the supply pipes to the supply valves: hot-left; cold-right.
5. Connect the pop-up rod to the pop-up waste assembly.

Large differences in pressure between the hot and cold water supply should be balanced.

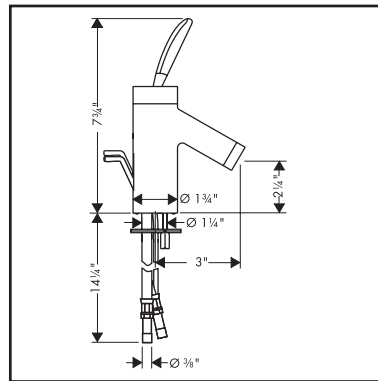
Operation

The mixer is actuated by pushing the lever head.
Swivel to the left = hot water,
swivel to the right = cold water.

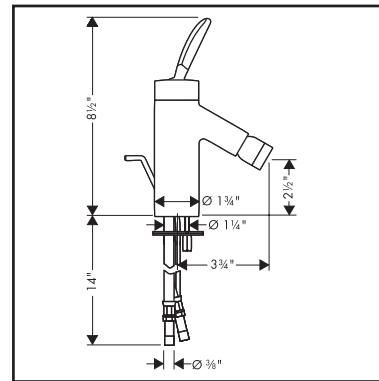
Technical data



Lav Mixer 10010XX1

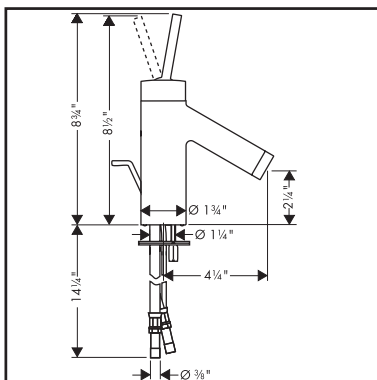


Basin Mixer 10015XX1

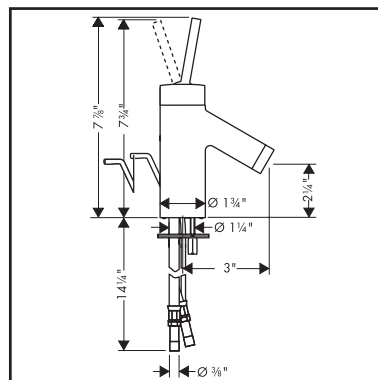


Bidet Mixer 10200XX1

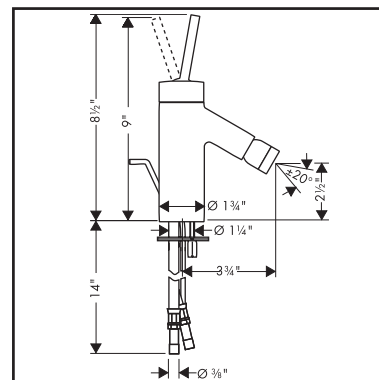
Hole size in deck:
Minimum: 1 1/4"
Maximum: 1 5/8"



Lav Mixer 10011XX1

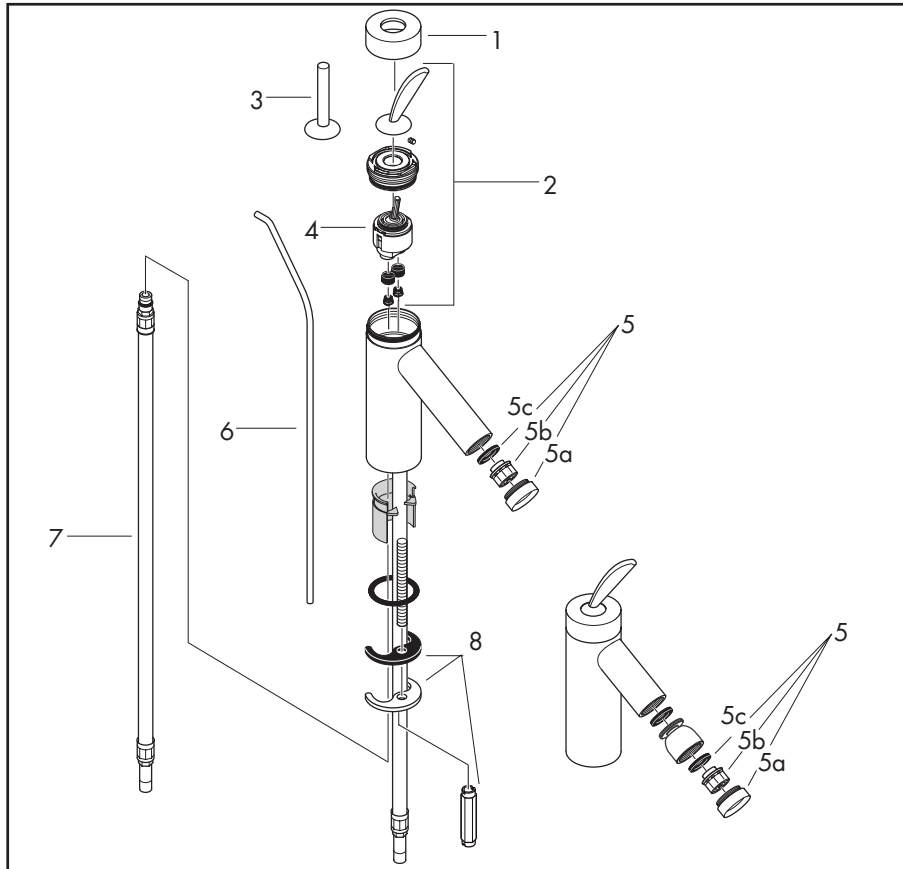


Basin Mixer 10016XX1



Bidet Mixer 10201XX1

Spare parts

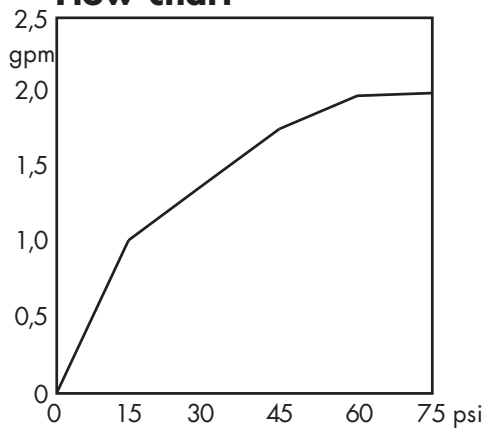


1	Flange	
2	Handle with cartridge	96231XXX
3	Handle "Puro"	
4	cartridge	96339000
5	Aerator	
	3a Aerator casing	10072868
	3b Aerator cpl.	30631118
	3c Gasket	90328910
6	Lift rod	94006XXX
7	Tube	30668710
8	Fixation cpl.	94701000
XXX = Color code:		
		000 chrome
		810 satinox

Cleaning instructions:

- Clean with a liquid domestic cleaner or with soap suds. Afterwards rinse with clear water and polish with a cloth.
- Do not use any cleaning agents containing acid or scouring agents.
- Damage caused by improper treatment is not subject to our guarantee.

Flow chart



Operating pressure	: max. 147 psi
Recommended operating press.	: 14.7 - 72.5 psi
Test pressure	: 232 psi
Hot water temperature	: max. 176° F
Recommended hot water temp.	: 149° F

Limited Lifetime Consumer Warranty

This product has been manufactured and tested to the highest quality standards by Hansgrohe, Inc. („Hansgrohe“). This warranty is limited to Hansgrohe products which are purchased by a consumer in the United States after March 1, 1996, and installed in either the United States or Canada.

WHO IS COVERED BY THE WARRANTY

This warranty extends to the original consumer purchaser only.

WHAT IS COVERED BY THE WARRANTY

This warranty covers only your Hansgrohe manufactured product. Hansgrohe warrants this product against defects in material or workmanship as follows: Hansgrohe will repair at no charge for parts only or, at its option, replace any product or part of the product which proves defective because of improper workmanship and/or material, under normal installation, use, service and maintenance. If Hansgrohe is unable to provide a replacement and repair is not practical or cannot be timely made, Hansgrohe may elect to refund the purchase price in exchange for the return of the product.

LENGTH OF WARRANTY

Replacement or repaired parts of products will be covered for the term of this warranty as stated in the following two sentences. If you are a consumer who purchased the product for use primarily for personal, family, or household purposes, this warranty extends for as long as you own the product and the home in which the product is installed. If you purchased the product for use primarily for any other purpose, including, without limitation, a commercial purpose, this warranty extends only (i) for 1 year, with respect to Interaktiv and Retroaktiv products, and (ii) for 5 years, with respect to AXOR, ShowerPower and Pharo products.

THIS WARRANTY DOES NOT COVER, AND HANSGROHE WILL NOT PAY FOR:

- A. Conditions, malfunctions or damage not resulting from defects in material or workmanship.
- B. Conditions, malfunctions or damage resulting from (1) improper installation, improper maintenance, misuse, abuse, negligence, accident or alteration, or (2) the use of abrasive or caustic cleaning agents or „no rinse“ cleaning products, or the use of the product in any manner contrary to the product instructions.
- C. Labor or other expenses for the disconnection or return of the product for warranty service, or for installation or reinstallation of the product.
- D. Accessories or related products not manufactured by Hansgrohe.

TO OBTAIN WARRANTY SERVICE

Contact your Hansgrohe retailer, or write to Technical Service at:

Hansgrohe Inc.
1492 Bluegrass Lakes Parkway
Alpharetta GA 30004

Or, call Hansgrohe toll-free at (800) 334-0455.

In requesting warranty service, you will need to provide

1. The sales receipt or other evidence of the date and place of purchase.
2. A description of the problem.
3. Delivery of the product or the defective part, postage prepaid and carefully packed and insured, to Hansgrohe Inc. 1492 Bluegrass Lakes Parkway, Alpharetta, Georgia 30004, Attention: Technical Service, if required by Hansgrohe.

When warranty service is completed, any repaired or replacement product or part will be returned to you postage prepaid.

EXCLUSIONS AND LIMITATIONS

REPAIR OR REPLACEMENT (OR, IN LIMITED CIRCUMSTANCES, REFUND OF THE PURCHASE PRICE) AS PROVIDED UNDER THIS WARRANTY IS THE EXCLUSIVE REMEDY OF THE PURCHASER. HANSGROHE NEITHER ASSUMES NOR AUTHORIZES ANY PERSON TO CREATE FOR IT ANY OBLIGATION OR LIABILITY IN CONNECTION WITH THIS PRODUCT.

HANSGROHE SHALL NOT BE LIABLE TO PURCHASER OR ANY PERSON FOR ANY INCIDENTAL, SPECIAL, OR CONSEQUENTIAL DAMAGES, ARISING OUT OF BREACH OF THIS WARRANTY OR ANY IMPLIED WARRANTY (INCLUDING MERCHANTABILITY).

Some States do not allow the exclusion or limitation of incidental or consequential damages, so the above limitation or exclusion may not apply to you.

This warranty gives you specific legal rights, and you may have other rights which vary from State to State.

You may be required by law to give us a reasonable opportunity to correct or cure any failure to comply before you can bring any action in court against us under the Magnuson-Moss Warranty Act.

PRODUCT INSTRUCTIONS AND QUESTIONS

Upon purchase or prior to installation, please carefully inspect your Hansgrohe product for any damage or visible defect. Prior to installing, always carefully study the enclosed instructions on the proper installation and the care and maintenance of the product. If you have questions at any time about the use, installation, or performance of your Hansgrohe product, or this warranty, please call or write to us at the toll-free number and address printed above.