

Product Features

- 2.2 GPM
- Classic styling
- Lever handle
- Ceramic cartridge
- 3/8" supply hoses
- Includes pop-up drain

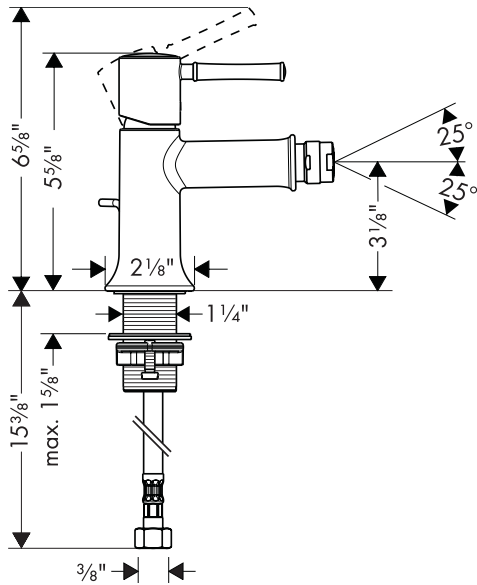
Code Compliance

This unit meets or exceeds the following:

- ADA
- ASME A112.18.1 / CSA B125.1
- Listed by IAPMO

Available Finishes

Chrome	14120001
Oil Rubbed Bronze	14120621
Brushed Nickel	14120821
Rubbed Bronze	14120921



The measurements shown are for reference only.

Products and specifications shown are subject to change without notice.

Specification sheet revised 10/2010