

Product Features

- Exposed thermostatic mixing valve
- Volume control / diverter
- Raindance 240 AIR showerhead with AIR injection technology, Rubit™ cleaning system, 2.5 gpm
- Raindance S 100 AIR 3-jet handshower with 3 spray modes, Rubit™ cleaning system, 2.5 gpm, flexible handshower hose
- Integrated wallbar with angle adjustable handshower holder
- Protection against backflow provided by check valves

Code Compliance

This unit meets or exceeds the following:

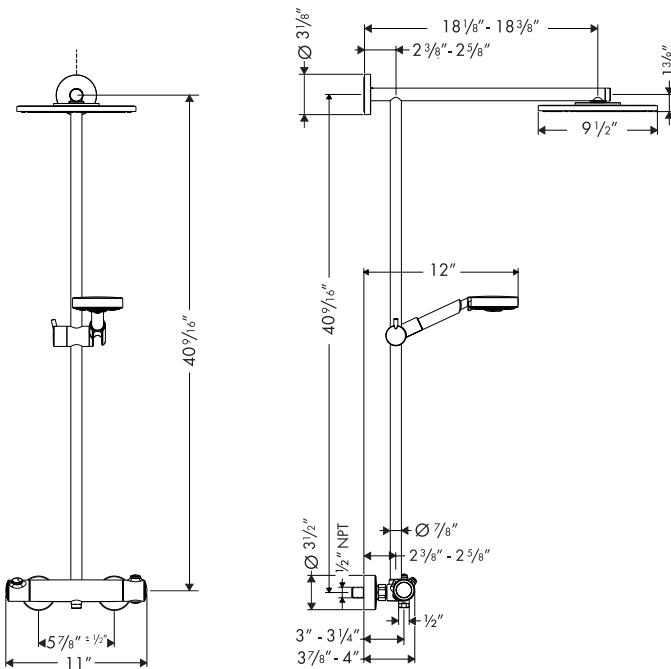
- ASME A112.18.1
- CSA B125.1
- Listed by IAPMO

Available Finishes

| | |
|----------------|----------|
| Chrome | 27160001 |
| Brushed Nickel | 27160821 |

Installation Notes

- Requires 1/2" NPT female fittings, recessed 3/8" behind the surface of the finished wall, for the hot and cold supplies



The measurements shown are for reference only.

Products and specifications shown are subject to change without notice.

Specification sheet revised 1/2008