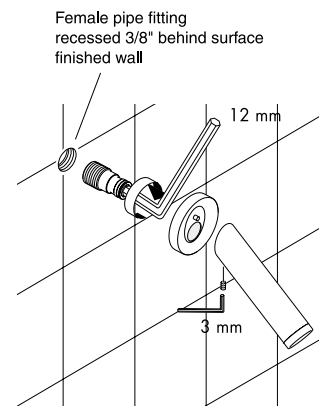
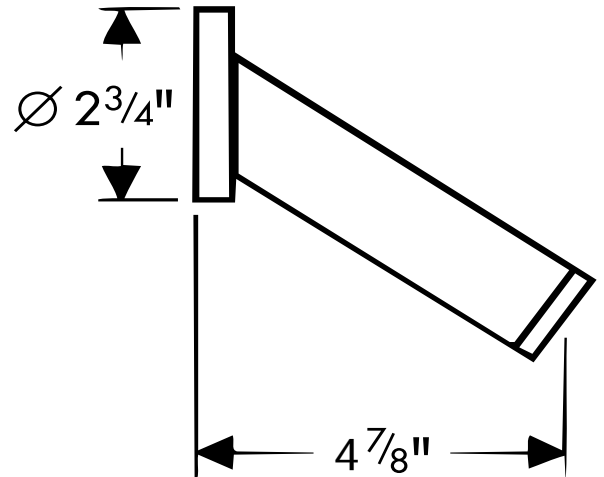
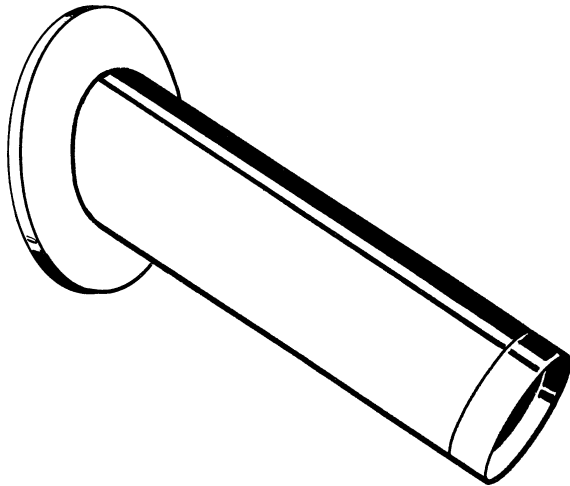


# Philippe Starck Tub Spout 10410XX1

Available in chrome (00) and satinox (81)



## Product Specification

Requires 3/4" female threaded pipe fitting recessed 3/8" behind surface of finished wall

Know and follow all applicable local codes regarding the required air gap between the end of the spout and the flood level of the tub.

**AXOR**<sup>®</sup>