

## Product Features

- 4-port universal rough w/service stops
- 3/4" inlets and outlets
- Includes three 1/2" reducers, one 3/4" plug, seal
- Rough valve for several types of shower valves: thermostatic mixer; thermostatic mixer with volume control; thermostatic mixer with volume control/diverter; pressure balance valve
- Also rough for Raindance Rainfall 28411XX1

## Code Compliance

This unit meets or exceeds the following (when installed with trim kit):

- ASME A112.18.1
- CSA B125.1
- Listed by IAPMO

## Required Accessories

Trim kit – many styles available

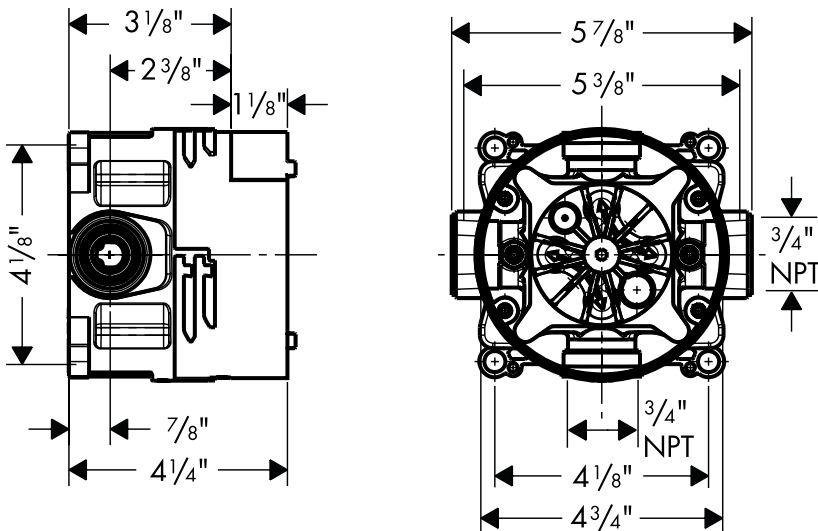
## Optional Accessories

1" extension (deep rough-in)

13595000

Mounting kit

96615000



The measurements shown are for reference only.

Products and specifications shown are subject to change without notice.

Specification sheet revised 1/2010